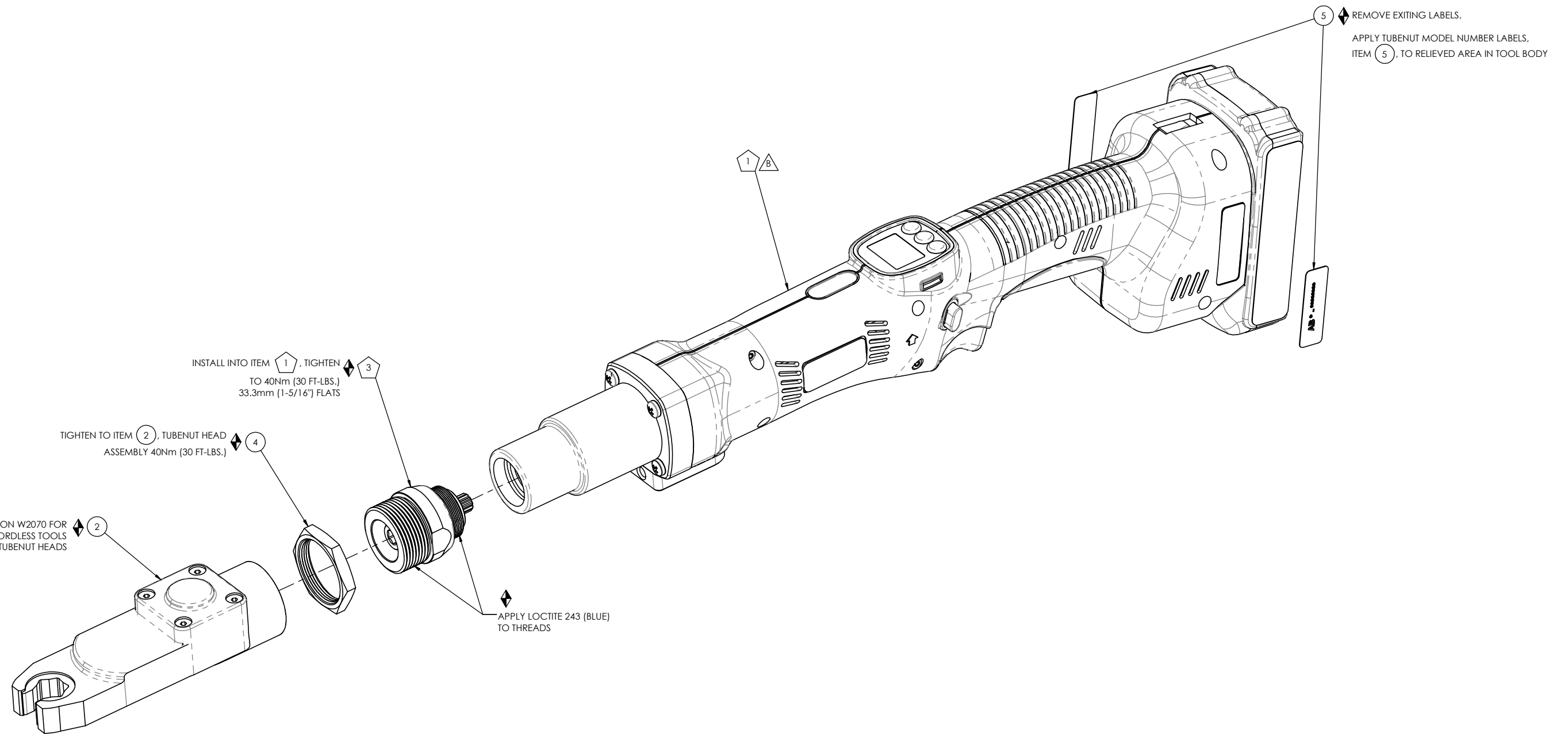


COMMENTS	ITEM NO.	PART NUMBER	QTY.	DESCRIPTION
	1	AB-CTA24W	1	CORDLESS ANGLE NUTRUNNER, W/O HEAD, CORDLESS SERIES
	2	235-023-4	1	TUBENUT HEAD ASM.
	3	25729	1	TUBENUT ADAPTOR ASM.
	4	233-073-0	1	LOCK NUT, GEAR CASE, OHO, S2 INTERFACE
	5	30917	2	LABEL, TUBENUT NUTRUNNER, MODEL NUMBER, CORDLESS SERIES



◆ ASSEMBLY INSTRUCTIONS  
 ◡ SUB-ASSEMBLY

- 1) GEARS & SPLINES: LUBRICATE WITH DOW CORNING MOLYKOTE BR2 PLUS GREASE.
- 2) BEARINGS: LUBRICATE WITH CHEVRON SR1 GREASE
- 3) O-RINGS: LUBRICATE WITH O-RING LUBE



**DOCUMENT CONTROL**  
 PRINTED COPIES OF THIS DOCUMENT ARE CONSIDERED TO BE UNCONTROLLED DOCUMENTS. HOLDERS ARE RESPONSIBLE FOR VERIFYING THE CURRENT REVISION LEVEL WITH PURCHASING OR ENGINEERING PRIOR TO USE OR FABRICATION. THE CONTROLLED VERSION OF THIS DOCUMENT IS ELECTRONICALLY MAINTAINED.

**PROPRIETARY AND CONFIDENTIAL**  
 THIS DRAWING CONTAINS INFORMATION STRICTLY CONFIDENTIAL TO ACRADYNE/AIMCO. IN THE ABSENCE OF EXPRESSED WRITTEN PERMISSION, ACRADYNE/AIMCO HAS LOANED THIS COPY WITH THE MUTUAL UNDERSTANDING THAT (A) IT WILL NOT BE USED FOR ANY PURPOSE OTHER THAN FOR THAT IN WHICH IT WAS PROVIDED, (B) THE DATA CONTAINED HEREIN WILL NOT BE DISCLOSED TO OTHERS, (C) IT WILL NOT BE REPRODUCED, AND (D) IT WILL BE RETURNED TO ACRADYNE/AIMCO IMMEDIATELY UPON DEMAND.

LEVEL	REVISION RELEASE DATE	DESCRIPTION OF CHANGES MADE TO PART	ECN #	AUTHOR/ APPROVAL

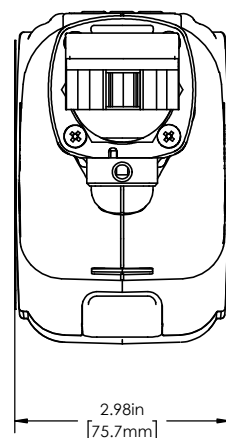
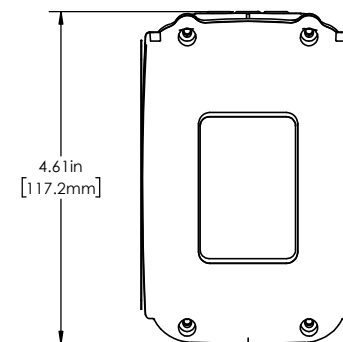
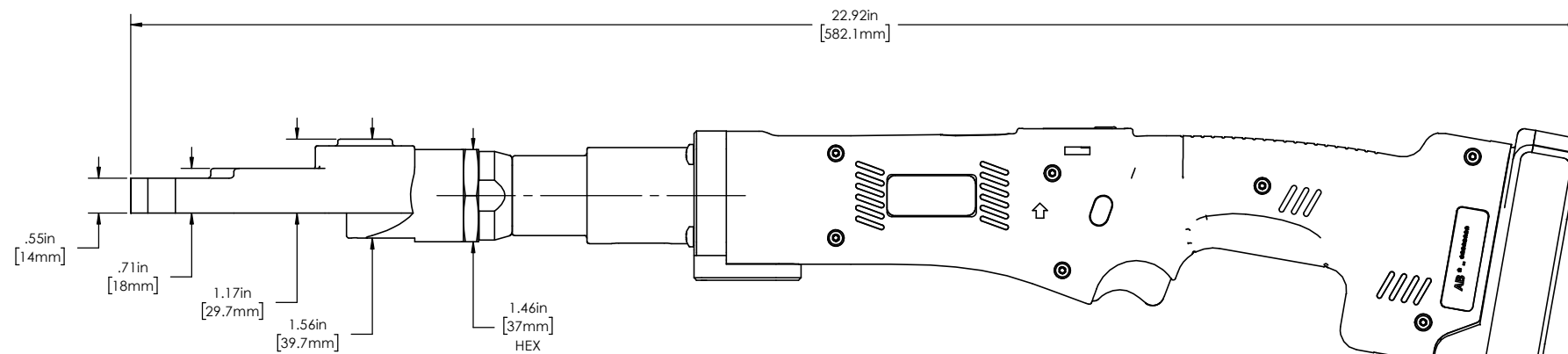
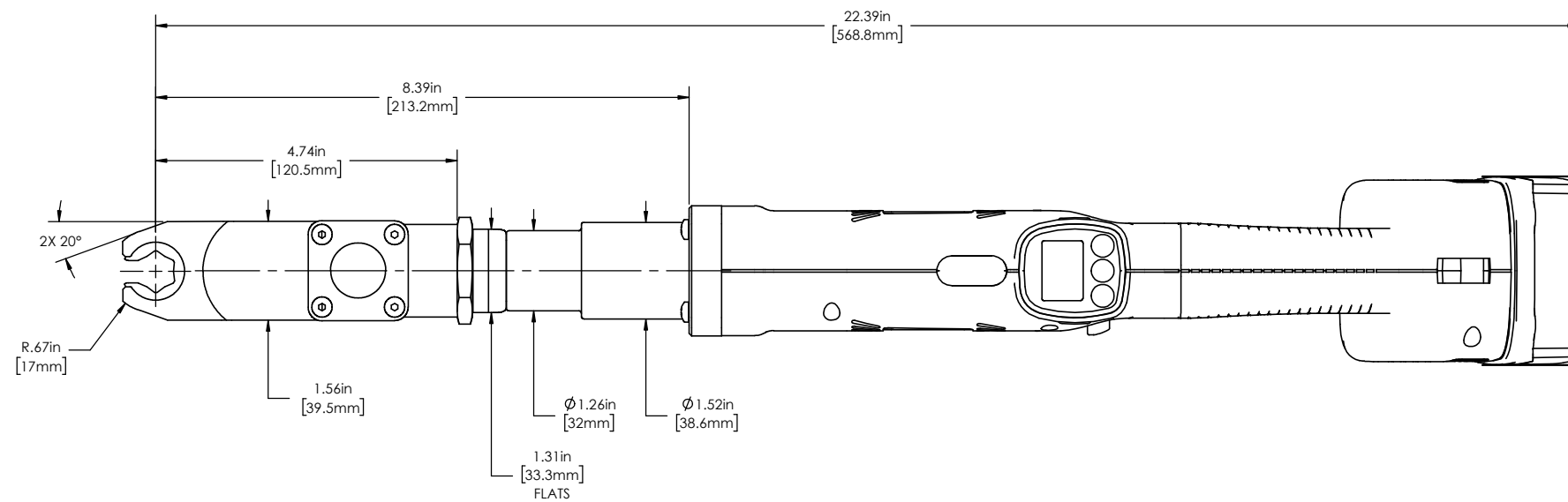
**UNLESS OTHERWISE SPECIFIED, DIMENSIONS ARE IN INCHES**  
 DIMENSIONS AND TOLERANCING PER ANSI Y14.5 SURFACE ROUGHNESS PER ANSI Y14.36

**BLOCK TOLERANCING PER DECIMAL:**  
 .X = ±.030 .XX = ±.010 .XXX = ±.005 .XXXX = ±.0005  
 ANGLE = ±0° 30'

REMOVE BURRS AND SHARP EDGES: R.015 MAX MACHINE SURFACE FINISH: 125 RMS OR BETTER

DRAWINGS AND TECHNICAL DOCUMENTS CONTROLLED BY:  
**ACRADYNE MECHANICAL ENGINEERING**

<b>TUBENUT NUTRUNNER W/ WIFI, 24Nm CORDLESS SERIES</b>		SIZE	PART / DRAWING NUMBER	REVISION
		<b>D</b>	<b>ABT-CTA24W</b>	<b>B</b>
SCALE 1:2	DO NOT SCALE DRAWING	SHEET 1 OF 2		



**DOCUMENT CONTROL**  
 PRINTED COPIES OF THIS DOCUMENT ARE CONSIDERED TO BE UNCONTROLLED DOCUMENTS. HOLDERS ARE RESPONSIBLE FOR VERIFYING THE CURRENT REVISION LEVEL WITH PURCHASING OR ENGINEERING PRIOR TO USE OR FABRICATION. THE CONTROLLED VERSION OF THIS DOCUMENT IS ELECTRONICALLY MAINTAINED.

**PROPRIETARY AND CONFIDENTIAL**  
 THIS DRAWING CONTAINS INFORMATION STRICTLY CONFIDENTIAL TO ACRADYNE/AIMCO. IN THE ABSENCE OF EXPRESSED WRITTEN PERMISSION, ACRADYNE/AIMCO HAS LOANED THIS COPY WITH THE MUTUAL UNDERSTANDING THAT (A) IT WILL NOT BE USED FOR ANY PURPOSE OTHER THAN FOR THAT IN WHICH IT WAS PROVIDED, (B) THE DATA CONTAINED HEREIN WILL NOT BE DISCLOSED TO OTHERS, (C) IT WILL NOT BE REPRODUCED, AND (D) IT WILL BE RETURNED TO ACRADYNE/AIMCO IMMEDIATELY UPON DEMAND.

REVISION LEVEL	RELEASE DATE	DESCRIPTION OF CHANGES MADE TO PART	ECN #	AUTHOR/ APPROVAL

**UNLESS OTHERWISE SPECIFIED, DIMENSIONS ARE IN INCHES**  
 DIMENSIONS AND TOLERANCING PER ANSI Y14.5  
 SURFACE ROUGHNESS PER ANSI Y14.36

**BLOCK TOLERANCING PER DECIMAL:**  
 .X = ±.030 .XX = ±.010 .XXX = ±.005 .XXXX = ±.0005  
 ANGLE = ±0° 30'

REMOVE BURRS AND SHARP EDGES: R.015 MAX  
 MACHINE SURFACE FINISH: 125 RMS OR BETTER

DRAWINGS AND TECHNICAL DOCUMENTS CONTROLLED BY:  
**ACRADYNE MECHANICAL ENGINEERING**

**TUBENUT NUTRUNNER  
 W/WIFI, 24Nm  
 CORDLESS SERIES**

SIZE <b>D</b>	PART / DRAWING NUMBER <b>ABT-CTA24W</b>	REVISION <b>B</b>
SCALE 1:2	DO NOT SCALE DRAWING	SHEET 2 OF 2