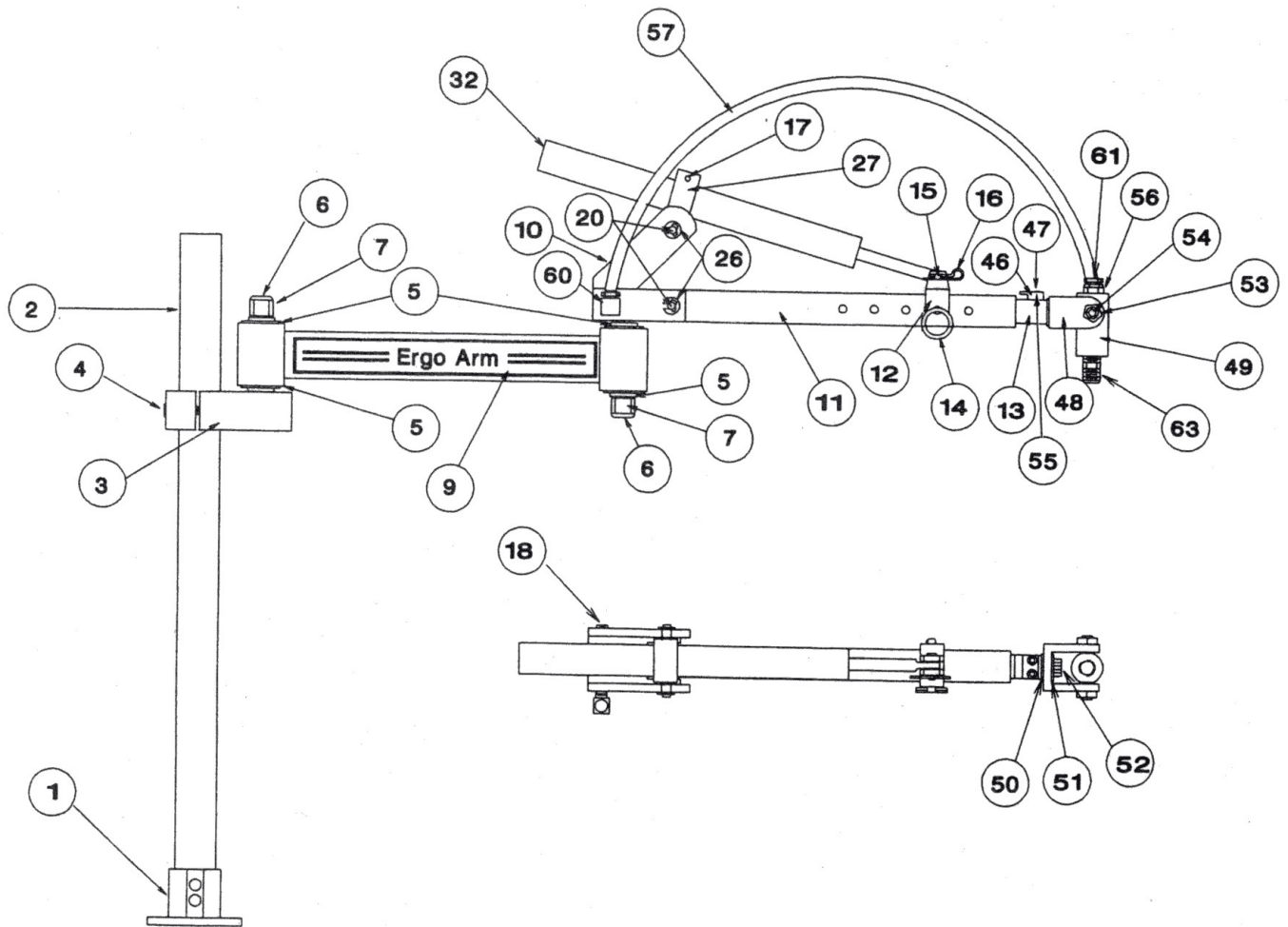


AD-D1098-S SINGLE OIL CYLINDER ERGO-ARM

EXPLODED VIEW



PARTS LIST — FOR REFERENCE ONLY

Index Number	Part Number	Description	Qty.	Index Number	Part Number	Description	Qty.	Index Number	Part Number	Description	Qty.
1	EA-14	Table Flange	1	16	EA-13	Hair Pin Cotter	1	50	EAS-104	Bushing	1
2	EA-01	Post	1	17	EA-20	8-32 x 1" Cap Screw	1	51	EAS-104-1	3/8" Nylon Washer	1
3	EA-02	Shoulder Clamp	1	18	EA-27	1/8" Pipe Plug	1	52	EAS-106	3/8" x 1/2" Shoulder Bolt	1
4	EA-44	1/4-20 x 1-1/4" Cap Screw	2	20	EA-37	1/4" x 2-5/16" Clevis Pin	2	53	EAS-107	3/8" x 16 Jam Nut	2
5	EA-03	Bearing	4	21	EA-35	Clevis Pin	2	54	EAS-105	3/8-16 x 3/4" Dog Point Set Screw	2
6	EA-04	1/2-13 x 4" Double Ended Stud	2	22	EA-31	Bearing	6	55	EA-43	Nylon Tip Set Screw (located under Part #46 (EAS-102))	1
7	EA-05	1/2-13 Locking Nut	2	23	EA-30	Bearing	4	56	EAS-113	1/4" x 1/4" Barb Fitting	1
8	EA-21	Label	2	24	EA-33	Bearing	2	57	EAS-114	1/4" Tubing 26" long	1
9	EA-06	Upper Arm	1	25	EA-32	Bearing	2	59	EAP-203	Air Manifold	1
10	EA-07	Elbow	1	26	EA-39	"E" Ring	4	60	EAS-110	1/4" x 1/4" 90° Barb Fitting	1
11	EA-10	Forearm	1	27	EA-12	Cyl. Mtg. Clamp Body	1	61	EAS-112	3/8" #811 Hose Clamp	2
12	EA-09	Cyl. Mtg. Yoke Rod End	1	31	EAC-04	Air Cylinder	1	62	EAS-111	Air Hose Set	1
13	EA-11	Forearm Insert	1	32	EA-08	Oil Cylinder	1	63	EAS-115	1/4" x 1/4" Hex Nipple	1
14	EA-18	1/4" x 1-5/8" Cotterless Clevis Pin	1	46	EAS-102	Wrist Bracket Yoke Stop	1				
15	EA-17	3/16" x 3/4" Clevis Pin	1	47	EAS-108	8-32 x 1/2" Button Head Screw	1				
				48	EAS-101	Wrist Bracket Yoke	1				
				49	EAS-103	Tool Manifold	1				



10000 SE PINE
PORTLAND, OR 97216
503-254-6600
FAX 503-255-2615

When ordering spare parts, please specify tool type, part number, and description.

FOOTNOTES

EAP-202EDKIT - Electric Tool Mount for S/SAC Arm