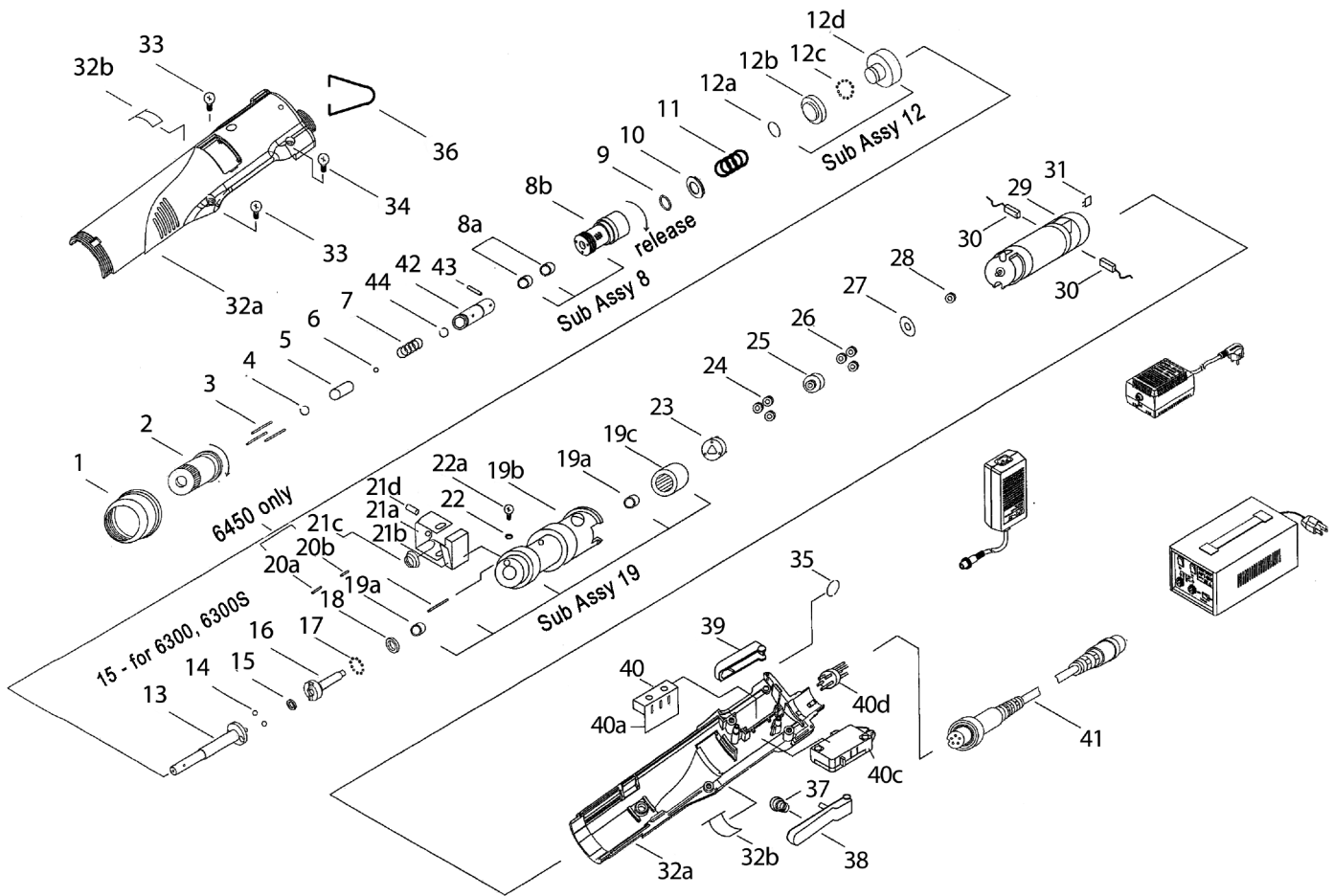


AE-6300M

EXPLODED VIEW



PARTS LIST — FOR REFERENCE ONLY

| Index Number | Part Number | Description | Qty. | Index Number | Part Number | Description | Qty. | Index Number | Part Number | Description | Qty. |
|--------------|-------------|-------------------------|------|--------------|-------------|-----------------------------------|------|--------------|-------------|-------------------------------------|------|
| 1 | 6H1050 | Retaining Ring | 1 | 19 | 4A7024 | Gear Housing Sub Ass'y | 1 | 32a | 6Z1215 | Plastic Housing | 1 |
| 1 | 4H1084 | Retaining Ring (ESD) | 1 | 19a | 4E1021 | Ball Bearing | 2 | 32b | 6C5011 | Carbon Maintenance Bonnet Set | 1 |
| 2 | 4J1082 | Regulating Handle | 1 | 19b | 4R1072 | Gear Housing | 1 | 32 | 6A1026 | Plastic Housing | 1 |
| 3 | 4N1026 | Push Pin | 3 | 19c | 4X1055 | Internal Gear | 1 | 32a | 6Z1216 | L+R Black Plastic Housing (ESD) | 1 |
| 4 | 4U1052 | Snap Ring | 1 | 19d | 4W6314 | Washer | 1 | 32b | 6C5014 | Carbon Maintenance Bonnet Set (ESD) | 1 |
| 5 | 4H2081 | Bit Slide Sleeve | 1 | 20 | 4N1143 | Roller Pin | 1 | 33 | 8T2667 | Screw | 2 |
| 6 | 4B1015 | Ball | 2 | 21 | 2A7016 | Micro Switch Sub Ass'y | 1 | 33c | 6W1212 | Insulation Washer (ESD) | 1 |
| 7 | 4S3074 | Sleeve Spring | 1 | 21a | 4V1032 | Fixing Plate | 1 | 34 | 8T2665 | Screw | 2 |
| 8 | 4A1024 | Hammer Casing Sub Ass'y | 1 | 21b | 2S3018 | Micro SW. Only (5GL) | 1 | 35 | 4F1023 | Hanger Ring | 1 |
| 8a | 4E1022 | Ball Bearing | 2 | 21c | 4S3043 | Recoil Spring | 1 | 36 | 4F1012 | Hanger Ring | 1 |
| 8b | 4T1036 | Hammer Casing | 1 | 21d | 4N4015 | Spring Cotter | 1 | 37 | 4S3051 | Fwd. Spring | 1 |
| 9 | 4W6015 | Washer | 1 | 22a | 8T4046 | Screw | 2 | 38 | 6P4055 | Fwd. Trigger (Black) | 1 |
| 10 | 4W6411 | Washer | 1 | 22b | 4W1712 | Washer (Start Washer) | 2 | 38 | 6P4056 | Fwd. Trigger (ESD Black) | 1 |
| 11 | 4S1072 | Spring | 1 | 23 | 4L2851 | Second Gear Cage | 1 | 39 | 6P4065 | Rev. Trigger (Black) | 1 |
| 12 | 4A5025 | Retainer Sub Ass'y | 1 | 24 | 4G2654 | Second Planet Gear | 3 | 39 | 6P4066 | Rev. Trigger (ESD Black) | 1 |
| 12a | 4U1037 | Snap Ring | 1 | 25 | 4L1654 | First Gear Cage | 1 | 40 | 2A6030A | PWB Sub Ass'y | 1 |
| 12b | 4E6011 | Washer | 1 | 26 | 4G2654 | First Planet Gear | 3 | 40b | 2S3012 | Micro Switch | 1 |
| 12c | 4B1024 | Ball | 15 | 27 | 4W6014 | Washer | 1 | 40c | 2S1021 | Micro Switch | 1 |
| 12d | 4K6011 | Driven Clutch | 1 | 28 | 4G1652 | Driving Gear | 1 | 40d | 2G1023 | 5P Socket | 1 |
| 13 | 4C1025 | Anvil | 1 | 29 | 2M2061 | Motor (Stand. Speed For #AE-6300) | 1 | 41 | 2W2122 | 5P-5P Connector Wire | 1 |
| 14 | 4B1029 | Ball | 2 | | 2M2066 | Motor (High Speed For #AE-6300S) | 1 | 42 | 4C1191 | Bit Holder | 1 |
| 15 | 4E1023 | Ball Bearing | 1 | 30 | 2B1018 | Brush (Pair) | 2 | 43 | 4N4012 | Spring Cotter | 2 |
| 16 | 4K2047 | Hammer | 1 | 31a | 2R2014 | Resistor | 1 | 44 | 4U1054 | Snap Ring | 1 |
| 17 | 4B1024 | Ball | 15 | 31b | 2C6616 | Capacitor | 1 | | | | |
| 18 | 4E7011 | Retainer | 1 | 32 | 6A1021 | Plastic Housing | 1 | | | | |



10000 SE Pine Street
Portland, OR 97216
503-254-6600
FAX 503-255-2615

When ordering spare parts, please specify
tool type, part number and description.

AIMCO also offers a complete line of standard & special
adapters, bits, sockets and extensions.

REVISED 12/06