

MODEL NO.	GEAR CASE SUB-ASM	ANGLE HEAD ASM.	TRANSDUCER SUB-ASM.
AEH4F22029C-1	24901	27702	31048.004
AEH4F22029C-2	24901	27703	31048.004
AEH4F22036C-1	24894	27702	31045.001
AEH4F22036C-2	24894	27703	31045.001
AEH4F22043C-1	24902	27702	31045.003
AEH4F22043C-2	24902	27703	31045.003
AEH4F22055C-1	24904	27702	31045.005
AEH4F22055C-2	24904	27703	31045.005

COMMENTS	ITEM NO.	PART NUMBER	QTY.	DESCRIPTION
	1	28766	1	MOTOR ASSEMBLY
	2	SEE CHART	1	GEAR CASE SUB-ASM.
	3	SEE CHART	1	ANGLE HEAD ASM.
	4	28754	1	LEVER HANDLE
	5	29186	1	COVER, LEVER HANDLE
	6	25763	1	TRANSDUCER ADAPTOR
	7	24780	1	MOTOR COUPLER SUB-ASM.
	8	SEE CHART	1	TRANSDUCER SUB-ASM.
	9	29202	1	TRIGGER CABLE ASM., 6 PIN - 6 PIN
	10	29191	1	TRIGGER/MFG BOARD ASM., 2000-SERIES, GEN 4
	11	28767	1	TOOL CONN. ASM.
	12	30966	1	LED BOARD ASM, i2C
	13	24679	1	RETAINING RNG
	14	24683	1	SPRING, REV BUTTON
	15	25557	1	REV BUTTON SUB-ASSEMBLY
	16	29189	1	TRIGGER SUB-ASM.
	17	31051	1	DOWEL PIN, Ø.094 X .75, GROOVED, STEEL, ZINC PLATED
	18	31061	2	DOWEL PIN, Ø3/32 X 1/4, STEEL
	19	29184	2	DOWEL PIN, Ø.094 X .25, PLASTIC
	20	28760	1	LED COVER
	21	28753	2	MOTOR COVER, SMALL MOTOR O.D.
	22	22141	1	SAFETY LABEL
	23	20132	1	THROTTLE SPRING
	24	27235	2	O-RING, BUNA-N, #28
	25	23753	8	SCREW, FHSC 6-32x5/16, 18-8 SS
	26	25745	5	SCREW, BHSC 4-40 STEEL, BLACK OXIDE
	27	24935	2	SCREW, SHC 4-40 X .25, STEEL, BLACK OXIDE
	28	26078	4	SCREW, SHC 4-40 X 5/16, BLK OXIDE
	29	21091	1	SHIM, PINION SHAFT, .002 --- 2000 SERIES
	30	21092	1	SHIM, PINION SHAFT, .005 --- 2000 SERIES
	31	21093	1	SHIM, PINION SHAFT, .010 --- 2000 SERIES
	32	23741	1	SHIM, OUTPUT, .002 IN, 40 NM
	33	21022	1	SHIM, BLANK OUTPUT SHAFT, 0.005 THK
	34	21021	1	SHIM, BLANK OUTPUT SHAFT, 0.010 THK
	35	20534	1	2000 SERIAL/MODEL LABEL
NOT SHOWN	36	25471	1	LABEL SN# COVER, .25 X 4"
NOT SHOWN	37	29112	A/R	CABLE TIE
	38	26564	1	BIT HOLDER, 1/4" HEX
	39	26565	1	BIT HOLDER, 5/16" HEX
	40	26557	1	TANG HOLDER
	41	26640	1	1/4" HEX BIT
	42	26645	1	5/16" HEX BIT
	43	26571	1	SCREW, SET 8-32 X .125, STEEL, BLACK OXIDE
	44	26554	1	HEX SOCKET, HOLD & DRIVE
	45	26555	2	DOWEL PIN, Ø1/8 X 7/16, ALLOY STEEL
	46	26556	2	SCREW, SET 10-32 X .188, STEEL, BLACK OXIDE

- ◆ ASSEMBLY INSTRUCTIONS
- ◊ SUB-ASSEMBLY
- 1) GEARS & SPLINES: LUBRICATE WITH DOW CORNING MOLYKOTE BR2 PLUS GREASE.
- 2) BEARINGS: LUBRICATE WITH CHEVRON SR1 GREASE
- 3) O-RINGS: LUBRICATE WITH O-RING LUBE
- 4) APPLY LOCTITE 222 (PURPLE), TIGHTEN TO 1.0 Nm (9 IN-LBS)



DOCUMENT CONTROL
 PRINTED COPIES OF THIS DOCUMENT ARE CONSIDERED TO BE UNCONTROLLED DOCUMENTS. HOLDERS ARE RESPONSIBLE FOR VERIFYING THE CURRENT REVISION LEVEL WITH PURCHASING OR ENGINEERING PRIOR TO USE OR FABRICATION. THE CONTROLLED VERSION OF THIS DOCUMENT IS ELECTRONICALLY MAINTAINED.

PROPRIETARY AND CONFIDENTIAL
 THIS DRAWING CONTAINS INFORMATION STRICTLY CONFIDENTIAL TO ACRADYNE/AIMCO. IN THE ABSENCE OF EXPRESSED WRITTEN PERMISSION, ACRADYNE/AIMCO HAS LOANED THIS COPY WITH THE MUTUAL UNDERSTANDING THAT (A) IT WILL NOT BE USED FOR ANY PURPOSE OTHER THAN FOR THAT IN WHICH IT WAS PROVIDED, (B) THE DATA CONTAINED HEREIN WILL NOT BE DISCLOSED TO OTHERS, (C) IT WILL NOT BE REPRODUCED, AND (D) IT WILL BE RETURNED TO ACRADYNE/AIMCO IMMEDIATELY UPON DEMAND.

REVISION LEVEL	REVISION RELEASE DATE	DESCRIPTION OF CHANGES MADE TO PART	ECN #	AUTHOR/ APPROVAL

UNLESS OTHERWISE SPECIFIED, DIMENSIONS ARE IN INCHES
 DIMENSIONS AND TOLERANCING PER ANSI Y14.5 SURFACE ROUGHNESS PER ANSI Y14.36

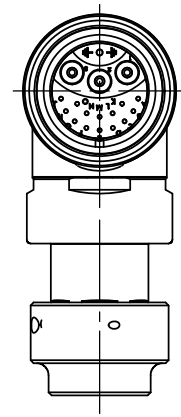
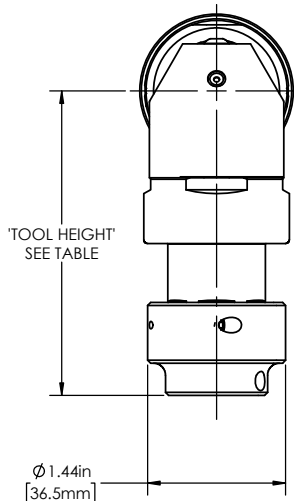
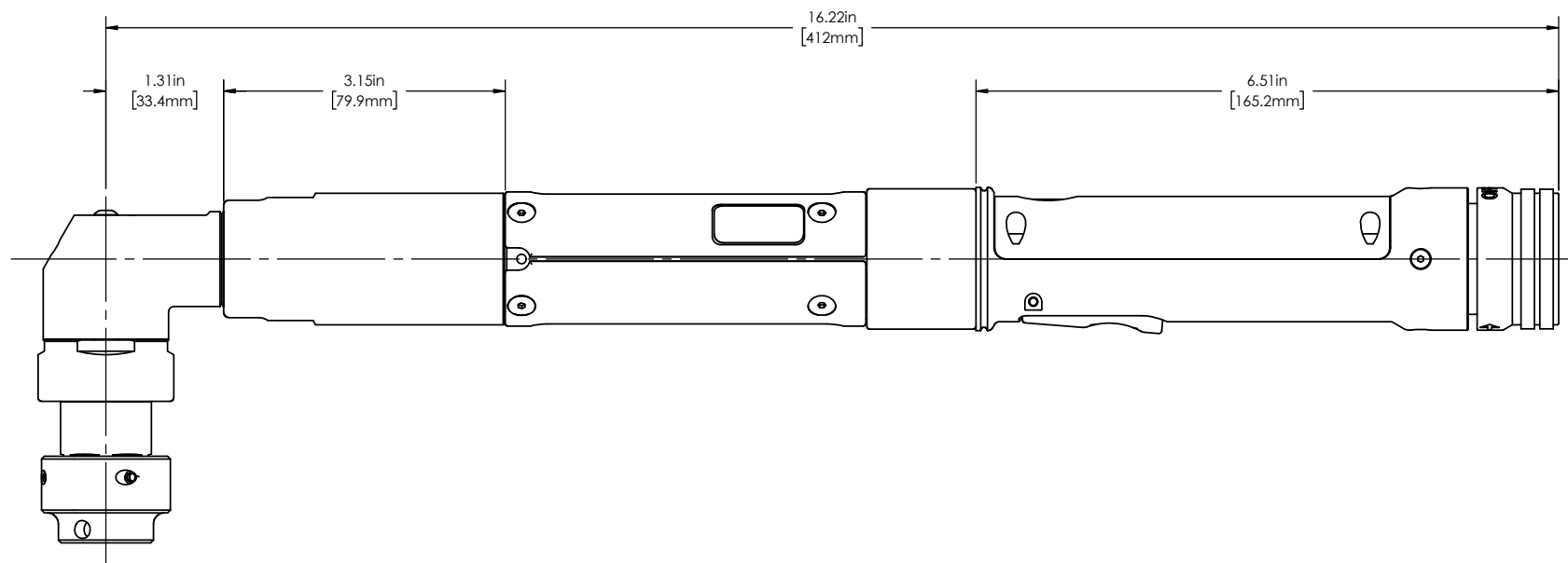
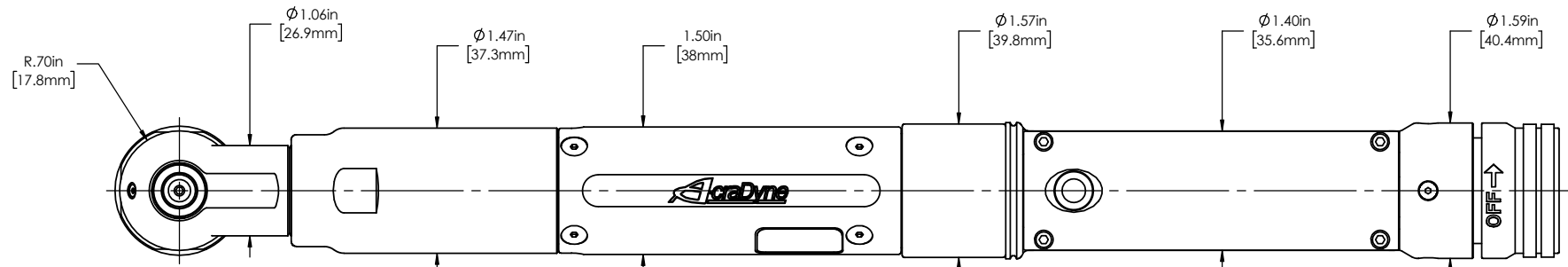
BLOCK TOLERANCING PER DECIMAL:
 X = ±.030 XX = ±.010 XXX = ±.005 XXXX = ±.0005
 ANGLE = ±.30°

REMOVE BURRS AND SHARP EDGES: R.015 MAX MACHINE SURFACE FINISH: 125 RMS OR BETTER

DRAWINGS AND TECHNICAL DOCUMENTS CONTROLLED BY:
ACRADYNE MECHANICAL ENGINEERING

HOLD & DRIVE
NUTRUNNER, 3/8" SQ. DR.
 GEN 4 2000 SERIES

SIZE D	PART / DRAWING NUMBER AEH4F220 C-	REVISION A
SCALE: 1:1	DO NOT SCALE DRAWING	SHEET 1 OF 3



MODEL NO.	TOOL HEIGHT
AEN4F22029C-1	80.6MM [3.2in]
AEN4F22029C-2	106.0MM [4.2in]
AEN4F22036C-1	80.6MM [3.2in]
AEN4F22036C-2	106.0MM [4.2in]
AEH4F22043C-1	80.6MM [3.2in]
AEH4F22043C-2	106.0MM [4.2in]
AEH4F22053C-1	80.6MM [3.2in]
AEH4F22053C-2	106.0MM [4.2in]



DOCUMENT CONTROL
 PRINTED COPIES OF THIS DOCUMENT ARE CONSIDERED TO BE UNCONTROLLED DOCUMENTS. HOLDERS ARE RESPONSIBLE FOR VERIFYING THE CURRENT REVISION LEVEL WITH PURCHASING OR ENGINEERING PRIOR TO USE OR FABRICATION. THE CONTROLLED VERSION OF THIS DOCUMENT IS ELECTRONICALLY MAINTAINED.

PROPRIETARY AND CONFIDENTIAL
 THIS DRAWING CONTAINS INFORMATION STRICTLY CONFIDENTIAL TO ACRADYNE/AIMCO. IN THE ABSENCE OF EXPRESSED WRITTEN PERMISSION, ACRADYNE/AIMCO HAS LOANED THIS COPY WITH THE MUTUAL UNDERSTANDING THAT (A) IT WILL NOT BE USED FOR ANY PURPOSE OTHER THAN FOR THAT IN WHICH IT WAS PROVIDED, (B) THE DATA CONTAINED HEREIN WILL NOT BE DISCLOSED TO OTHERS, (C) IT WILL NOT BE REPRODUCED, AND (D) IT WILL BE RETURNED TO ACRADYNE/AIMCO IMMEDIATELY UPON DEMAND.

REVISION LEVEL	REVISION RELEASE DATE	DESCRIPTION OF CHANGES MADE TO PART	ECN #	AUTHOR/ APPROVAL

UNLESS OTHERWISE SPECIFIED, DIMENSIONS ARE IN INCHES
 DIMENSIONS AND TOLERANCING PER ANSI Y14.5
 SURFACE ROUGHNESS PER ANSI Y14.36

BLOCK TOLERANCING PER DECIMAL:
 .X = ±.030 .XX = ±.010 .XXX = ±.005 .XXXX = ±.0005
 ANGLE = ±0°30'

REMOVE BURRS AND SHARP EDGES: R.015 MAX
 MACHINE SURFACE FINISH: 125 RMS OR BETTER

DRAWINGS AND TECHNICAL DOCUMENTS CONTROLLED BY:
ACRADYNE MECHANICAL ENGINEERING

HOLD & DRIVE NUTRUNNER, 3/8" SQ. DR.

GEN 4 2000 SERIES

SIZE	PART / DRAWING NUMBER	REVISION
D	AEH4F220 C-	A

SCALE: 1:1 DO NOT SCALE DRAWING SHEET 2 OF 3

BASE MODEL	DOT	SOCKET BASE	COLUMN 1	SOCKET SIZE	COLUMN 2	HOLDER BASE	COLUMN 3	HOLDER SIZE	COLUMN 4
AEH32030C-	.	X	SOCKET TYPE & EXTENSION	X	HEX SIZE	X	TANG/BIT HOLDER & EXTENSION	X	SIZE
							BIT HOLDER		
		A	26554-1 SINGLE HEX (NO EXTENSION)	A	14mm	A	26564-1 (1/4" BIT)(NO EXTENSION)	A	4mm
		B	26554-2 SINGLE HEX (3mm EXTENDED)	B	15mm	B	26564-2 (1/4" BIT)(3mm EXTENDED)	B	5mm
		C	26554-3 SINGLE HEX (9mm EXTENDED)	C	16mm	C	26564-3 (1/4" BIT)(9mm EXTENDED)	C	6mm
		D	26554-4 SINGLE HEX (12mm EXTENDED)	D	17mm	D	26564-4 (1/4" BIT)(12mm EXTENDED)	D	7mm
		E	26554-5 SINGLE HEX (24mm EXTENDED)	E	18mm	E	26564-5 (1/4" BIT)(24mm EXTENDED)	E	8mm
				F	19mm			F	9mm
		F	26554-1 SURFACE DRIVE (NO EXTENSION)	G	20mm	F	26565-1 (5/16" BIT)(NO EXTENSION)	G	10mm
		G	26554-2 SURFACE DRIVE (3mm EXTENDED)	H	21mm	G	26565-2 (5/16" BIT)(3mm EXTENDED)	H	3/16"
		H	26554-3 SURFACE DRIVE (9mm EXTENDED)	I	9/16"	H	26565-3 (5/16" BIT)(9mm EXTENDED)	I	1/4"
		J	26554-4 SURFACE DRIVE (12mm EXTENDED)	J	5/8"	I	26565-4 (5/16" BIT)(12mm EXTENDED)	J	5/16"
		K	26554-5 SURFACE DRIVE (24mm EXTENDED)	K	11/16"	J	26565-5 (5/16" BIT)(24mm EXTENDED)	K	3/8"
				L	3/4"		FEMALE TANG HOLDER	L	T15
		L	26554-1 DOUBLE HEX (NO EXTENSION)	M	13/16"	K	26557-1 HEX (NO EXTENSION)	M	T20
		M	26554-2 DOUBLE HEX (3mm EXTENDED)	N		L	26557-2 HEX (3mm EXTENDED)	N	T25
		N	26554-3 DOUBLE HEX (9mm EXTENDED)	O		M	26557-3 HEX (9mm EXTENDED)	O	T30
		P	26554-4 DOUBLE HEX (12mm EXTENDED)	P		N	26557-4 HEX (12mm EXTENDED)	P	T40
		Q	26554-5 DOUBLE HEX (24mm EXTENDED)	Q		P	26557-5 HEX (24mm EXTENDED)	Q	T45
				R				R	T50
				S		Q	26557-1 TORX (NO EXTENSION)	S	E8
				T		R	26557-2 TORX (3mm EXTENDED)	T	E10
				U		S	26557-3 TORX (9mm EXTENDED)	U	E11
				V		T	26557-4 TORX (12mm EXTENDED)	V	E12
				W		U	26557-5 TORX (24mm EXTENDED)		
				X					
				Y		V	26557-1 D-TYPE (NO EXTENSION)	W	4 x 6
				Z		W	26557-2 D-TYPE (3mm EXTENDED)	X	5 x 8
						X	26557-3 D-TYPE (9mm EXTENDED)	Y	6 x 8
						Y	26557-4 D-TYPE (12mm EXTENDED)	Z	6.4 x 8
						Z	26557-5 D-TYPE (24mm EXTENDED)	1	TBD

****EXAMPLE MODEL NUMBER:** AEH4F22043CC-1.CDCJ = 1" TRAVEL, SINGLE HEX EXT. 9mm, 17mm HEX, 1/4" BIT HOLDER EXT. 9mm WITH 5/16" HEX BIT



DOCUMENT CONTROL
 PRINTED COPIES OF THIS DOCUMENT ARE CONSIDERED TO BE UNCONTROLLED DOCUMENTS. HOLDERS ARE RESPONSIBLE FOR VERIFYING THE CURRENT REVISION LEVEL WITH PURCHASING OR ENGINEERING PRIOR TO USE OR FABRICATION. THE CONTROLLED VERSION OF THIS DOCUMENT IS ELECTRONICALLY MAINTAINED.

PROPRIETARY AND CONFIDENTIAL
 THIS DRAWING CONTAINS INFORMATION STRICTLY CONFIDENTIAL TO ACRADYNE/AIMCO. IN THE ABSENCE OF EXPRESSED WRITTEN PERMISSION, ACRADYNE/AIMCO HAS LOANED THIS COPY WITH THE MUTUAL UNDERSTANDING THAT (A) IT WILL NOT BE USED FOR ANY PURPOSE OTHER THAN FOR THAT IN WHICH IT WAS PROVIDED, (B) THE DATA CONTAINED HEREIN WILL NOT BE DISCLOSED TO OTHERS, (C) IT WILL NOT BE REPRODUCED, AND (D) IT WILL BE RETURNED TO ACRADYNE/AIMCO IMMEDIATELY UPON DEMAND.

REVISION LEVEL	REVISION RELEASE DATE	DESCRIPTION OF CHANGES MADE TO PART	ECN #	AUTHOR/ APPROVAL

UNLESS OTHERWISE SPECIFIED, DIMENSIONS ARE IN INCHES
 DIMENSIONS AND TOLERANCING PER ANSI Y14.5
 SURFACE ROUGHNESS PER ANSI Y14.36

BLOCK TOLERANCING PER DECIMAL:
 .X = ±.030 .XX = ±.010 .XXX = ±.005 .XXXX = ±.0005
 ANGLE = ±0° 30'

REMOVE BURRS AND SHARP EDGES: R.015 MAX
 MACHINE SURFACE FINISH: 125 RMS OR BETTER

DRAWINGS AND TECHNICAL DOCUMENTS CONTROLLED BY:
ACRADYNE MECHANICAL ENGINEERING

HOLD & DRIVE NUTRUNNER, 3/8" SQ. DR.

GEN 4 2000 SERIES

SIZE	PART / DRAWING NUMBER	REVISION
B	AEH4F220__C-	A

SCALE 1:1 DO NOT SCALE DRAWING SHEET 3 OF 3