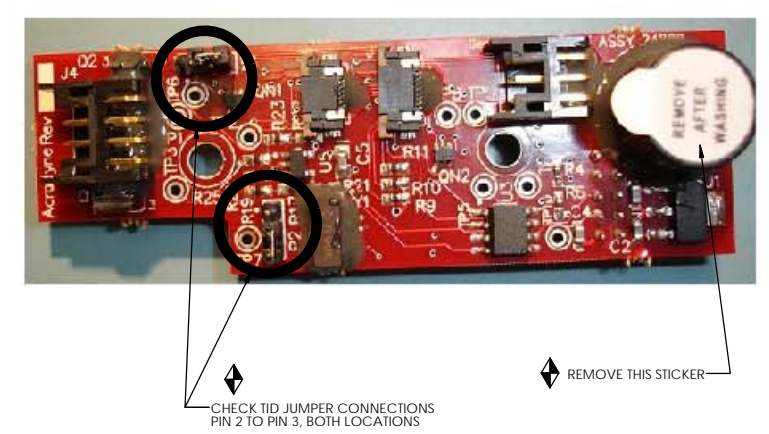


COMMENTS	ITEM NO.	PART NUMBER	QTY.	DESCRIPTION
	1	26218	1	PISTOL MOTOR ASM.
	2	26599	1	LED PCB ASSY, PISTOL
	3	27016	2	NUT, HEX, 4-40 UNDERSIZED, STEEL ZINC
	4	24780	1	MOTOR COUPLER SUB-ASM.
	5	25763	1	TRANSUCER ADAPTOR
	6	SEE CHART	1	TRANSUCER SUB-ASM.
	7	25521	1	ADAPTER, PTS GEAR HOUSING
	8	SEE CHART	1	GEAR CASE ASSEMBLY, P-T-S
	9	25774	1	P-T-S LIGHT RING ASM
	10	SEE CHART	1	GEAR CASE HOUSING COVER, P-T-S
	11	25590	1	O-RING, Ø13/16 X Ø1/16
	12	25591	1	O-RING, Ø1¼ X Ø1/16
	13	24753	1	P-T-S LIGHT RING LENS
	14	24687	1	O-RING, LIGHT RING, LEVER
	15	24873	1	LIGHT RING
	16	24686	1	RETAINING RING, LEVER LIGHT RING
	17	24731	1	O-RING, RING GEAR
	18	28875	1	PUSH TO START PISTOL HANDLE
	19	28876	1	SWITCH ASSEMBLY, PUSH TO START PISTOL
	20	25849	1	T.I.D. BOARD ASM., PISTOL
	21	25798	1	PLUG, PISTOL HANDLE
	22	24934	4	SCREW, FHC 4-40 X .312, STEEL, BLACK OXIDE
NOT SHOWN	23	25788	1	CABLE, TRIGGER, GEN 4 PISTOL
	24	25814	1	SCREW, PAN HEAD PHILLIPS, 4-40 X 3/16, STAR WASH, SS
	25	24910	1	RIGHT ANGLE ADAPTOR, TOOL CONN.
	26	25889	1	TOOL CONNECTOR ASM., TOP EXIT PISTOL
	27	24938 30771 (TORX)	2	SCREW, FHSC 4-40X.188, STEEL, BLACK OXIDE
	28	26792	4	SCREW, BHSC 6-32X.50, STEEL, BLACK OXIDE
	29	26791	4	WASHER, FLAT, NO 6 SCREW, STEEL, BLACK OXIDE
	30	25897	1	WARNING LABEL, P-T-S TOOL
NOT SHOWN	31	24177	A/R	RTV 108

MODEL NO.	TRANSUCER ASM.	GEAR CASE ASM.	GEAR CASE HOUSING COVER
AEP4T12003BL	25759.001	25775	24744
AEP4T12006BL	25760.002	25775	24744
AEP4T12011BL	25761.003	24791	24757
AEP4T12014BL	25761.005	24807	24757



- ◆ ASSEMBLY INSTRUCTIONS
- ◊ SUB-ASSEMBLY
- 1) GEARS & SPLINES: LUBRICATE WITH DOW CORNING MOLYKOTE BR2 PLUS GREASE.
- 2) BEARINGS: LUBRICATE WITH CHEVRON SR1 GREASE
- 3) O-RINGS: LUBRICATE WITH O-RING LUBE
- 4) TIGHTEN TO 1.0 Nm (9IN-LBS) LOCTITE 222 (PURPLE)

REQUIRED TOOLING
P-T-S TIGHTENING TOOL - PART NUMBER 25890
1-1/2" P-T-S WRENCH, MARTIN TOOLS #1248 ANGLE SERVICE WRENCH
MAGNETIC VISE JAWS - PART NUMBER 1000-100
TORQUE WRENCH, 1/2" DRIVE
RTV 108, TRANSLUCENT - PART NUMBER 24177
LOCTITE 243 BLUE
LOCTITE 222 PURPLE



DOCUMENT CONTROL
 PRINTED COPIES OF THIS DOCUMENT ARE CONSIDERED TO BE UNCONTROLLED DOCUMENTS. HOLDERS ARE RESPONSIBLE FOR VERIFYING THE CURRENT REVISION LEVEL WITH PURCHASING OR ENGINEERING PRIOR TO USE OR FABRICATION. THE CONTROLLED VERSION OF THIS DOCUMENT IS ELECTRONICALLY MAINTAINED.

PROPRIETARY AND CONFIDENTIAL
 THIS DRAWING CONTAINS INFORMATION STRICTLY CONFIDENTIAL TO ACRADYNE/AIMCO. IN THE ABSENCE OF EXPRESSED WRITTEN PERMISSION, ACRADYNE/AIMCO HAS LOANED THIS COPY WITH THE MUTUAL UNDERSTANDING THAT (A) IT WILL NOT BE USED FOR ANY PURPOSE OTHER THAN FOR THAT IN WHICH IT WAS PROVIDED, (B) THE DATA CONTAINED HEREIN WILL NOT BE DISCLOSED TO OTHERS, (C) IT WILL NOT BE REPRODUCED, AND (D) IT WILL BE RETURNED TO ACRADYNE/AIMCO IMMEDIATELY UPON DEMAND.

REVISION LEVEL	REVISION RELEASE DATE	DESCRIPTION OF CHANGES MADE TO PART	ECN #	AUTHOR/ APPROVAL
REVISION BLOCK				

UNLESS OTHERWISE SPECIFIED, DIMENSIONS ARE IN INCHES
 DIMENSIONS AND TOLERANCING PER ANSI Y14.5 SURFACE ROUGHNESS PER ANSI Y14.36

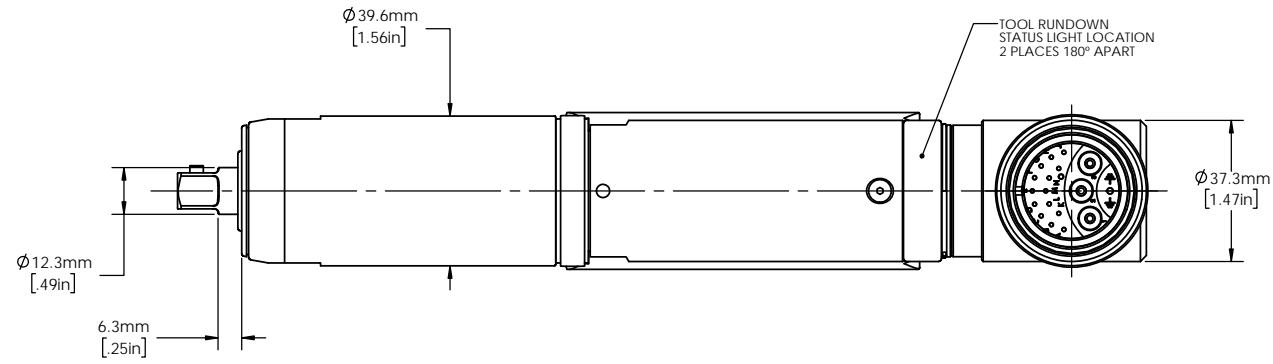
BLOCK TOLERANCING PER DECIMAL:
 .X = ±.030 .XX = ±.010 .XXX = ±.005 .XXXX = ±.0005
 ANGLE = ±.30°

REMOVE BURRS AND SHARP EDGES: R.015 MAX MACHINE SURFACE FINISH: 125 RMS OR BETTER

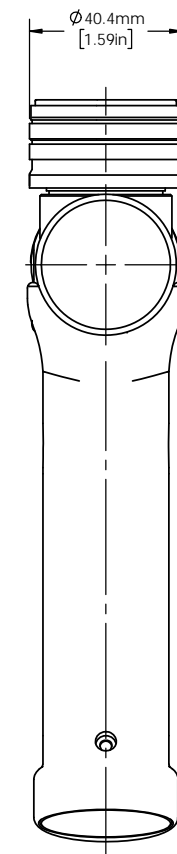
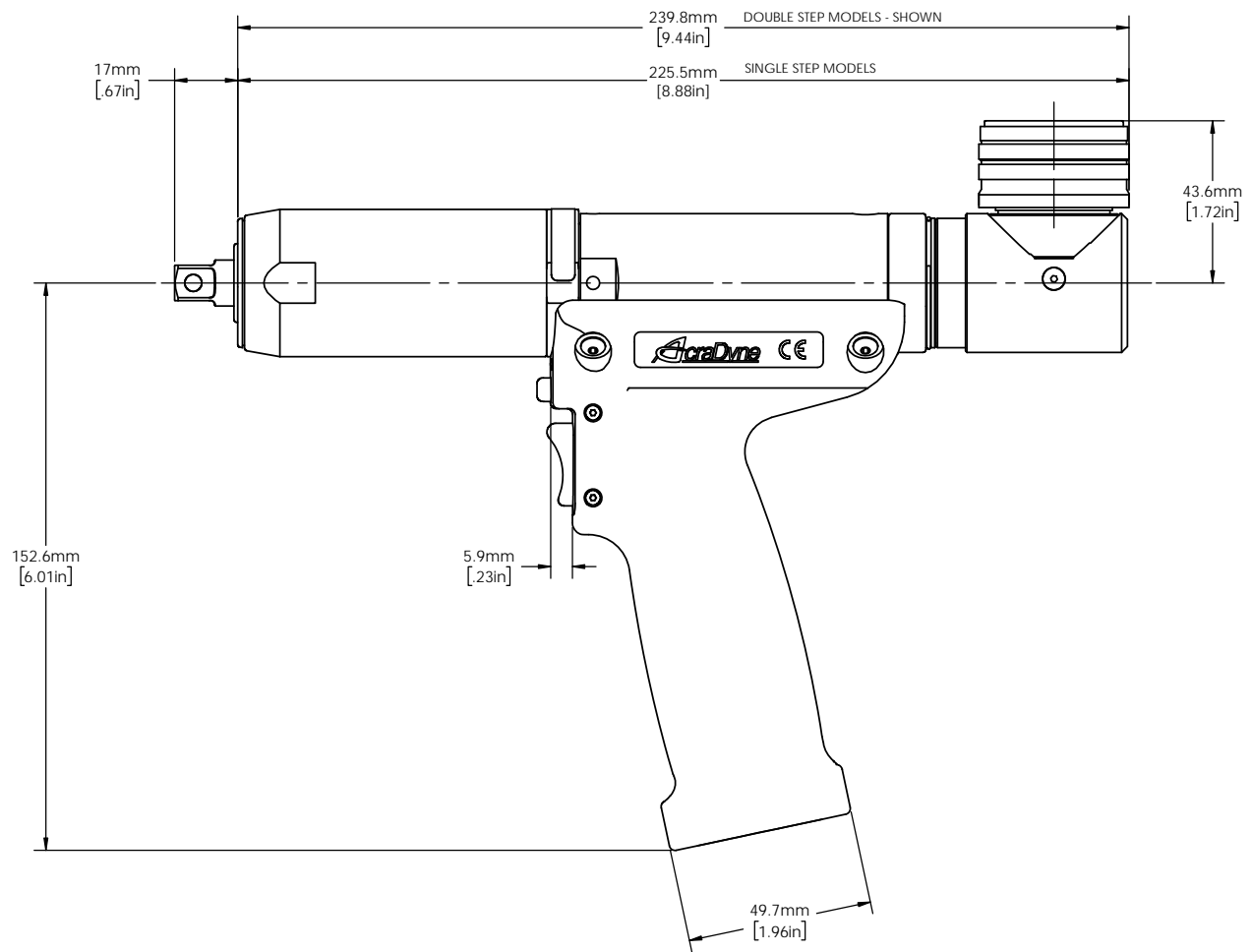
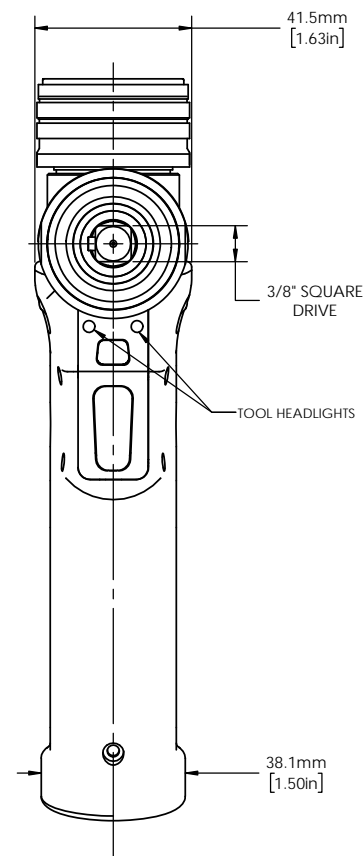
DRAWINGS AND TECHNICAL DOCUMENTS CONTROLLED BY:
ACRADYNE MECHANICAL ENGINEERING

PUSH-TO-START PISTOL NUTRUNNER TOP EXIT GEN IV, 1000 - SERIES

SIZE D	PART / DRAWING NUMBER AEP4T120__BL	REVISION A
SCALE 7:8	DO NOT SCALE DRAWING	SHEET 1 OF 2



MODEL NO.	
SINGLE STEP MODELS	AEP4T12003BL
	AEP4T12006BL
DOUBLE STEP MODELS	AEP4T12011BL
	AEP4T12014BL



DOCUMENT CONTROL
 PRINTED COPIES OF THIS DOCUMENT ARE CONSIDERED TO BE UNCONTROLLED DOCUMENTS. HOLDERS ARE RESPONSIBLE FOR VERIFYING THE CURRENT REVISION LEVEL WITH PURCHASING OR ENGINEERING PRIOR TO USE OR FABRICATION. THE CONTROLLED VERSION OF THIS DOCUMENT IS ELECTRONICALLY MAINTAINED.

PROPRIETARY AND CONFIDENTIAL
 THIS DRAWING CONTAINS INFORMATION STRICTLY CONFIDENTIAL TO ACRADYNE/AIMCO. IN THE ABSENCE OF EXPRESSED WRITTEN PERMISSION, ACRADYNE/AIMCO HAS LOANED THIS COPY WITH THE MUTUAL UNDERSTANDING THAT (A) IT WILL NOT BE USED FOR ANY PURPOSE OTHER THAN FOR THAT IN WHICH IT WAS PROVIDED, (B) THE DATA CONTAINED HEREIN WILL NOT BE DISCLOSED TO OTHERS, (C) IT WILL NOT BE REPRODUCED, AND (D) IT WILL BE RETURNED TO ACRADYNE/AIMCO IMMEDIATELY UPON DEMAND.

REVISION LEVEL	REVISION RELEASE DATE	DESCRIPTION OF CHANGES MADE TO PART	ECN #	AUTHOR/ APPROVAL

UNLESS OTHERWISE SPECIFIED, DIMENSIONS ARE IN INCHES
 DIMENSIONS AND TOLERANCING PER ANSI Y14.5
 SURFACE ROUGHNESS PER ANSI Y14.36

BLOCK TOLERANCING PER DECIMAL:
 .X = ±.030 .XX = ±.010 .XXX = ±.005 .XXXX = ±.0005
 ANGLE = ±0° 30'

REMOVE BURRS AND SHARP EDGES: R.015 MAX
 MACHINE SURFACE FINISH: 125 RMS OR BETTER

DRAWINGS AND TECHNICAL DOCUMENTS CONTROLLED BY:
ACRADYNE MECHANICAL ENGINEERING

PUSH-TO-START PISTOL NUTRUNNER
 TOP EXIT
 GEN IV, 1000 SERIES

SIZE D	PART / DRAWING NUMBER AEP4T120_ _BL	REVISION A
SCALE: 1:1	DO NOT SCALE DRAWING	SHEET 2 OF 2