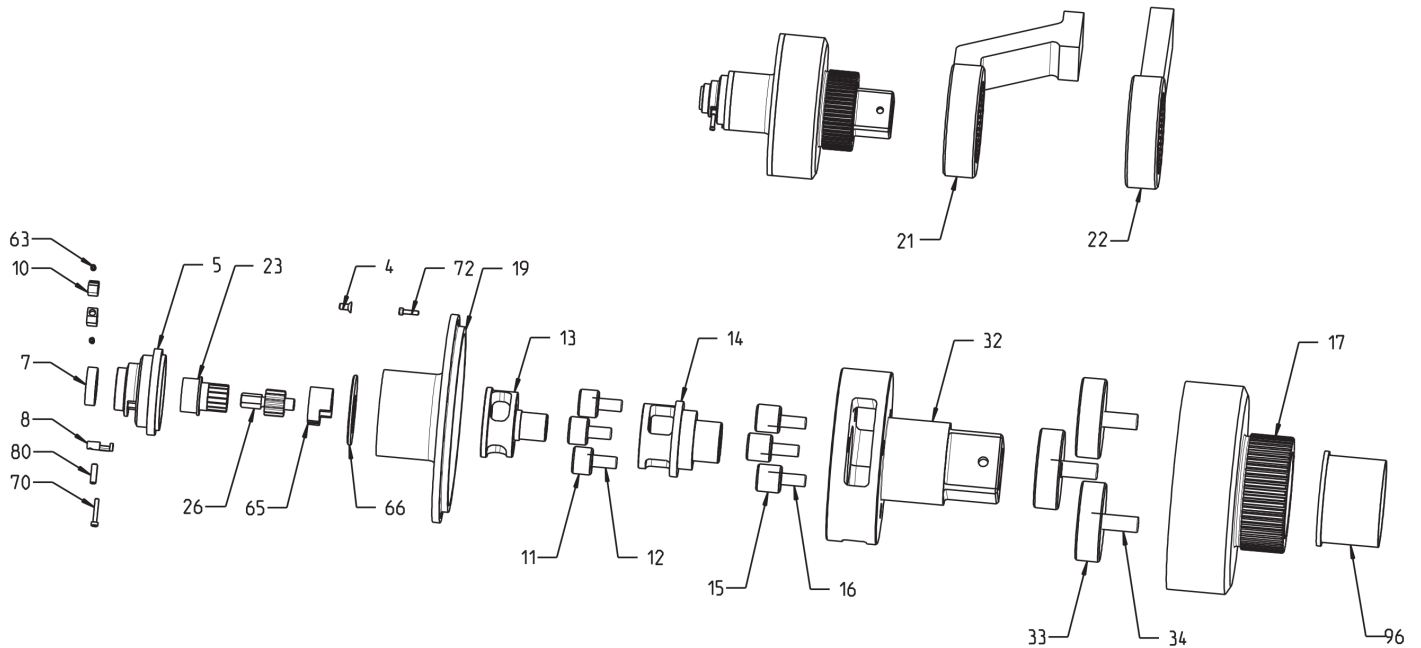


ATM-16000 DYNATORQUE MANUAL TORQUE MULTIPLIER

EXPLODED VIEW



PARTS LIST — FOR REFERENCE ONLY

Index Number	Part Number	Description	Qty.	Index Number	Part Number	Description	Qty.	Index Number	Part Number	Description	Qty.
4	650079910612	Countersunk Screw	1	17	025016017600	Gear Housing	1	66	025502066640	Slaving Disk	1
5	025003505641	Cover	1	19	025816019625	Intermediate Gear Housing	1	70	650009120425	Switch Lever Screw	1
7	659000353910	Bearing 353910	1	23	025503023640	Drive Head - 3/4"	1	72	650009120417	Cover Screw	1
8	025502008040	Switch Lever	1	26	025811026650	Shear Pin with SR-150	1	74	650009120617	Cage Screw	1
10	025502010640	Switch Bolster	1	32	025016032665	Gear Cage with 2.5" Sq. Dr.	1	80	652314810620	Clamping Sleeve	1
11	025501311040	Planet Gears - F	1	33	025016015040	Planet Gears - N	1	96	025016096040	Bearing	1
12	652163250632	Needle Roller	1	34	652163251250	Needle Roller	1	ACCESSORIES			
13	025502013040	Cage with SR-H	1	63	656000000625	Switch Spring	1	21	31318	Angled Reaction Bar	1
14	025012014040	Cage with SR-M	1	65	025502065640	Distance Disk	1	22	31319	Straight Reaction Bar	1
15	025502015040	Planet Gears - G	1								
16	652163251240	Needle Roller	1								

FOOTNOTES



10000 SE PINE
PORTLAND, OR 97216
503-254-6600
FAX 503-255-2615

When ordering spare parts, please specify tool type, part number, and description.