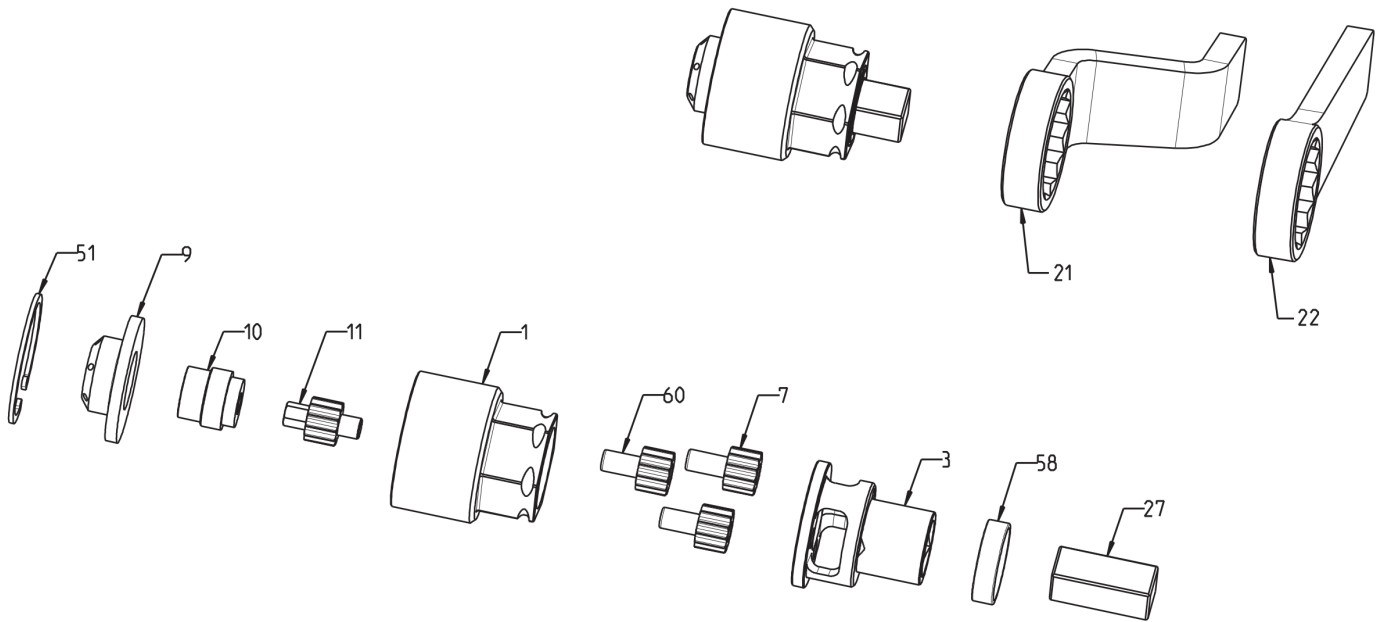


# ATM-800 DYNATORQUE MANUAL TORQUE MULTIPLIER

## EXPLODED VIEW



### PARTS LIST — FOR REFERENCE ONLY

Index Number	Part Number	Description	Qty.	Index Number	Part Number	Description	Qty.	Index Number	Part Number	Description	Qty.
1	025010008001	Gear Housing	1	10	025010008010	Drive Head - 1/2"	1	60	652163250628	Needle Roller	1
3	025010008003	Gear Cage with 3/4" Sq. Dr.	1	11	025000622050	Shear Pin - 1N	1	<b>ACCESSORIES</b>			
7	025500811040	Planet Gear - 1N	1	27	025000673040	3/4" Sq. Dr.	1	21	35003	Angled Reaction Bar	1
9	025010008009	Cover	1	51	655104720580	Circlip	1	22	35004	Straight Reaction Bar	1
				58	659000353910	Bearing 353910	1				



10000 SE PINE  
 PORTLAND, OR 97216  
 503-254-6600  
 FAX 503-255-2615

When ordering spare parts, please specify  
 tool type, part number, and description.

#### FOOTNOTES