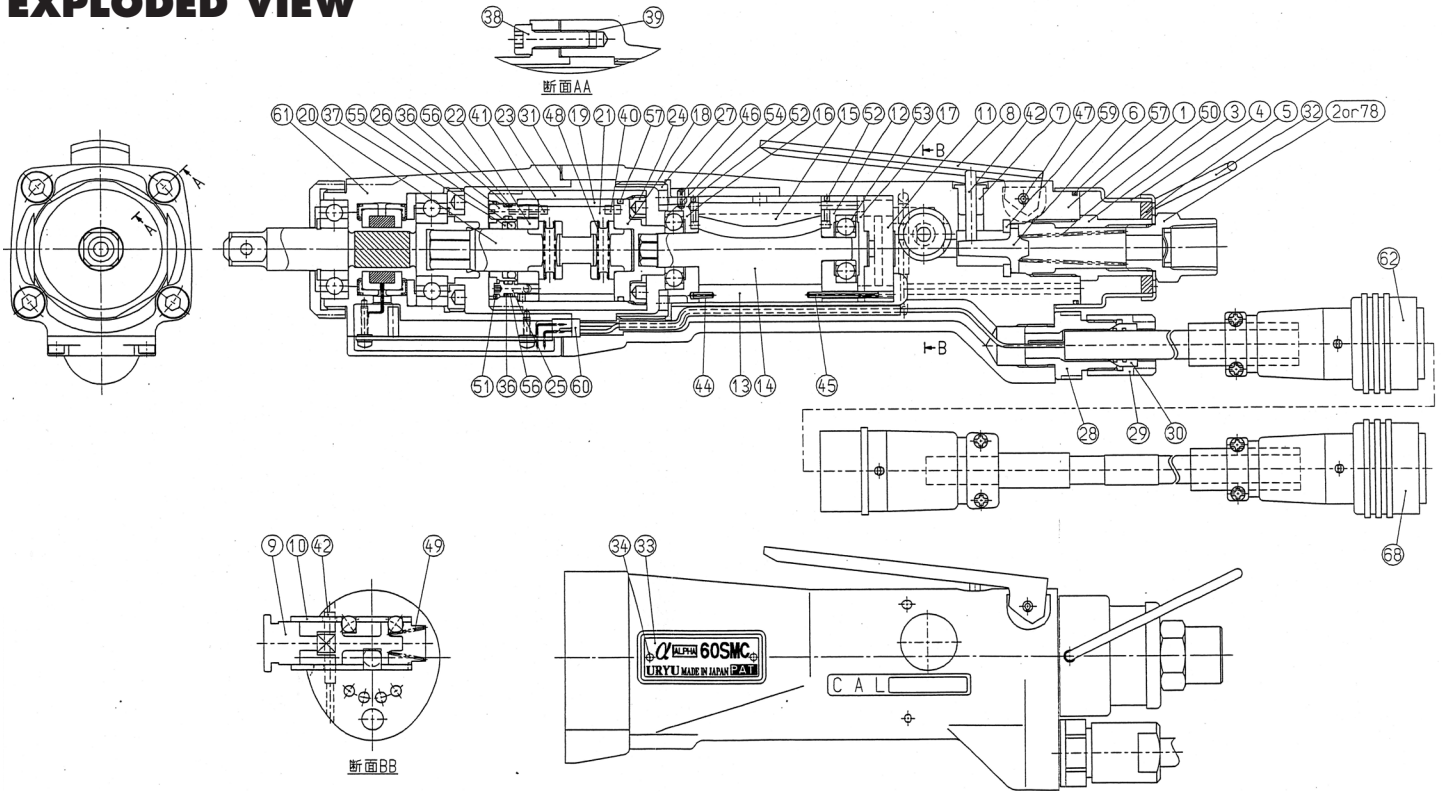


EXPLODED VIEW



PARTS LIST — FOR REFERENCE ONLY

Index Number	Part Number	Description	Qty.	Index Number	Part Number	Description	Qty.	Index Number	Part Number	Description	Qty.
1	146-025-5	Casing	1	31	149-867-2	Front Casing Packing	1	62	909-939-0	Joint Cable Assembly	1
2	480-091-8	Air Inlet Bushing	1	32	010-790-1	Suspension Ring	1	63	909-705-0	Shrink Tube (1.5 x 10)	6
3	461-097-6	Air Inlet Connector	1	33	146-924-5	Name Plate	1	64	909-979-0	Shrink Tube (6 x 80)	1
4	161-782-3	Exhaust Deflector	1	34	930-205-0	Screw (No.0 x 2.6)	4	65	909-914-0	Sensor Cable (MC) (50CM)	1
5	472-835-7	Filter	1	35	933-080-0	Hi Coupler Socket (1/4" 20PM)	1	66	909-917-0	Contact (DF11-2428SB)	6
6	259-100-0	Valve	1	36	944-002-0	Supporting Ring (2.6 x 4.5 x 1)	2 ●	67	909-734-0	Connector (PRC04-12A16-14M12.5)	1
7	161-103-3	Valve Rod Bushing	1	37	944-214-0	Supporting Ring (12 x 15.9 x 1.5)	1 ●	68	909-921-0	Sensor Cable Assembly	1
8	196-107-7	Valve Lever	1	38	945-117-0	Allen Head Bolt (M5 x 16)	4	69	909-922-0	Sensor Cable (M5) (5M)	1
9	893-058-1	Reverse Valve	1	39	965-011-0	Heli-Sert (M5 x 1.5D)	4	70	909-734-0	Connector (PRC04-12A16-14M12.5)	1
10	146-211-5	Reverse Valve Bushing	1	40	970-130-0	Pin (H) (2.45 x 4.5)	2	71	909-735-0	Connector (PRC04-12A16-14F12.5)	1
11	146-213-5	Reverse Valve Bushing	1	41	970-135-0	Pin (H) (2.45 x 11)	2	BIT TYPE			
12	161-285-3	Rear Plate	1	42	970-220-0	Pin (H) (3 x 20)	2	72	850-476-1	Sensor Casing Assembly	1
13	161-286-3	Cylinder	1	44	973-001-0	Roll Pin (1.5 x 6)	1	73	011-351-1	Bit Sleeve (1/8")	1
14	161-287-3	Rotor	1	45	973-004-0	Roll Pin (1.5 x 20)	1	74	011-352-1	Bit Spacer	1
15	155-288-2	Blade (PC)	9	46	973-005-0	Roll Pin (2 x 5)	1	75	976-327-0	Spring (13.5 x 11) (0.9)	1
16	161-289-3	Front Plate	1	47	973-124-0	Roll Pin (3 x 24)	1	76	978-117-0	Snap Ring (11.7 x 1.0)	1
17	146-291-5	Rear Plate Spacer	1	48	976-791-0	Spring (3.3 x 21) (0.4) WPC	2 ●	77	981-002-0	Ball (1/8)	1
18	196-901-4	Rear Liner Plate	1	49	977-103-0	Cone Spring (6 x 9.5 x 16)	1	ACCESSORIES			
19	177-902-5	Liner	1	50	977-155-0	Cone Spring (7 x 10 x 35)	1	79	904-090-0	Extension Bar (3/8 x 45) (MC)	1
20	149-319-2	Anvil	1	51	978-282-0	Snap Ring (28 x 1.0)	1	80	953-104-0	Allen Head Flat Point Screw (M4 x 4)	1
21	177-440-5	Driving Blade	2	52	981-045-0	Ball (1.5)	8	81	971-214-0	Pin (3 x 14)	1
22	178-904-8	Front Liner Plate	1	53	982-401-0	Ball Bearing (EE-2)	1	82	990-011-0	O-Ring (P12)	1
23	177-905-6	Liner Casing	1	54	982-402-0	Ball Bearing (EE-3)	1				
24	190-906-6	Liner Casing Setter	1	55	990-152-0	O-Ring (P12) (NTN)	1 ●				
25	174-907-8	Relief Valve Spindle	1	56	990-320-0	O-Ring (APP568-003)	2 ●				
26	178-742-0	Oil Plug	1	57	990-329-0	O-Ring (JW1530-19)	2 ●				
27	177-036-5	Hammer Casing Connector	1	59	996-424-0	Packing (16 x 9 x 2)	1				
28	149-079-5	Connector	1	60	909-918-0	Double-Row Socket (DF-11-12DC-2C)	1				
29	149-018-5	Cap	1	61	850-470-1	Sensor Casing Assembly (2-9.5)	1				
30	149-562-6	Stopper	1								



**10000 SE PINE
PORTLAND, OR 97216
503-254-6600
FAX 503-255-2615**

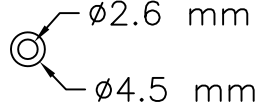
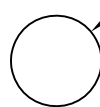
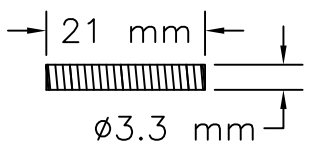
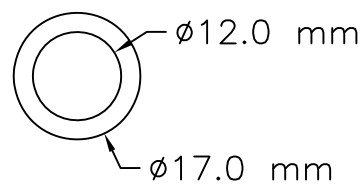
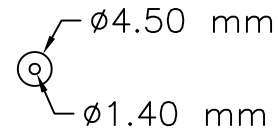
When ordering spare parts, please specify tool type, part number, and description.

FOOTNOTES

● = Items available in Pulse Repair Kit Alpha-60SMC-PRK

ALPHA-60SMC-PRK

(Kit contains following parts)

#/#	Bin Location	Part Number	QTY	Description	Material	Drawing / Scketch
1	PA10	944-002-0	2	Support Ring 2.6x4.5x1	Teflon-White	
2	PA10	944-214-0	1	Supporting Ring 12x15.9x1.5	Teflon-White	
3	PA1J	976-791-0	2	Spring 3.3x21	Spring wire ø.42 mm	
4	PA1A	990-152-00	1	O-Ring (P-12) (NTN) 12x17x2.5	Buna-Black	
5	PA1A	990-320-0	2	O-Ring 4.5X1.4X1.6	Buna-Black	
6	PA1D	990-329-0	1	O-Ring 24.5x20.5x1.8	Buna-Black	