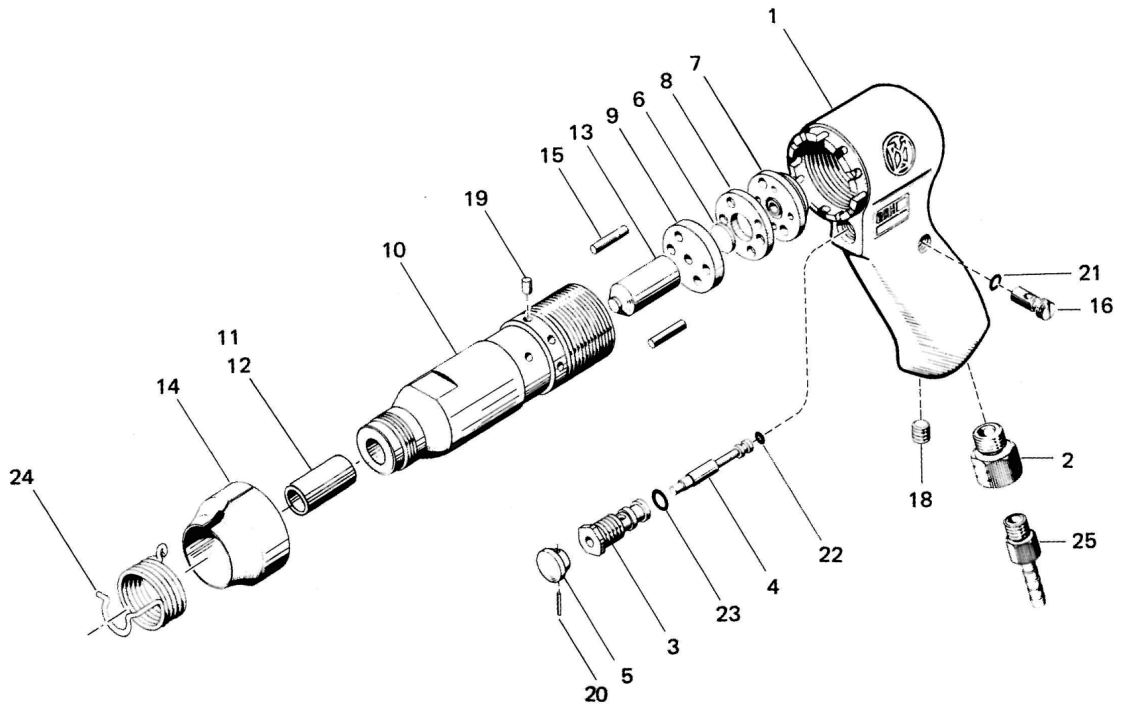


# BRH-7H, BRH-7R SERIES AIR IMPACT CUTTER

## EXPLODED VIEW



**Handle Assembly**  
Code No.714-984-2  
Components  
(#1, 2, 3, 4, 5, 16,  
18, 20, 21, 22, 23)



## PARTS LIST — FOR REFERENCE ONLY

Index Number	Part Number	Description	Qty.	Index Number	Part Number	Description	Qty.	Index Number	Part Number	Description	Qty.
1	714-011-2	Handle	1 ●	11	705-567-1	Bushing (R)	1	22	990-203-0	O-Ring (JW1516-3)	1 ●
2	185-091-7	Air Inlet Bushing	1 ●	12	786-567-1	Bushing (H) > either	1	23	990-610-0	O-Ring (8 x 2)	1 ●
3	603-101-1	Valve Bushing	1 ●	13	714-546-1	Piston	1	<b>ACCESSORIES</b>			
4	603-100-2	Valve	1 ●	14	714-782-1	Exhaust Deflector	1	24	714-813-2	Spring Chisel Retainer	1
5	603-107-2	Throttle Trigger	1 ●	15	714-761-1	Cylinder Notch Pin	2				
6	714-195-1	Main Valve	1	16	023-240-1	Regulator Valve	1 ●				
7	714-198-1	Rear Valve Seat	1	18	966-100-0	Allen Head Plug 1/8	1 ●				
8	714-199-1	Valve Spacer	1	19	970-406-0	Pin (H) (5 x 6.3)	1				
9	714-200-1	Front Valve Seat	1	20	973-010-0	Roll Pin (2 x 10)	1 ●				
10	714-286-2	Cylinder	1	21	990-003-0	O-Ring (P5)	1 ●				



10000 SE PINE  
PORTLAND, OR 97216  
503-254-6600  
FAX 503-255-2615

When ordering spare parts, please specify  
tool type, part number, and description.

### FOOTNOTES

● = Handle Assembly Components