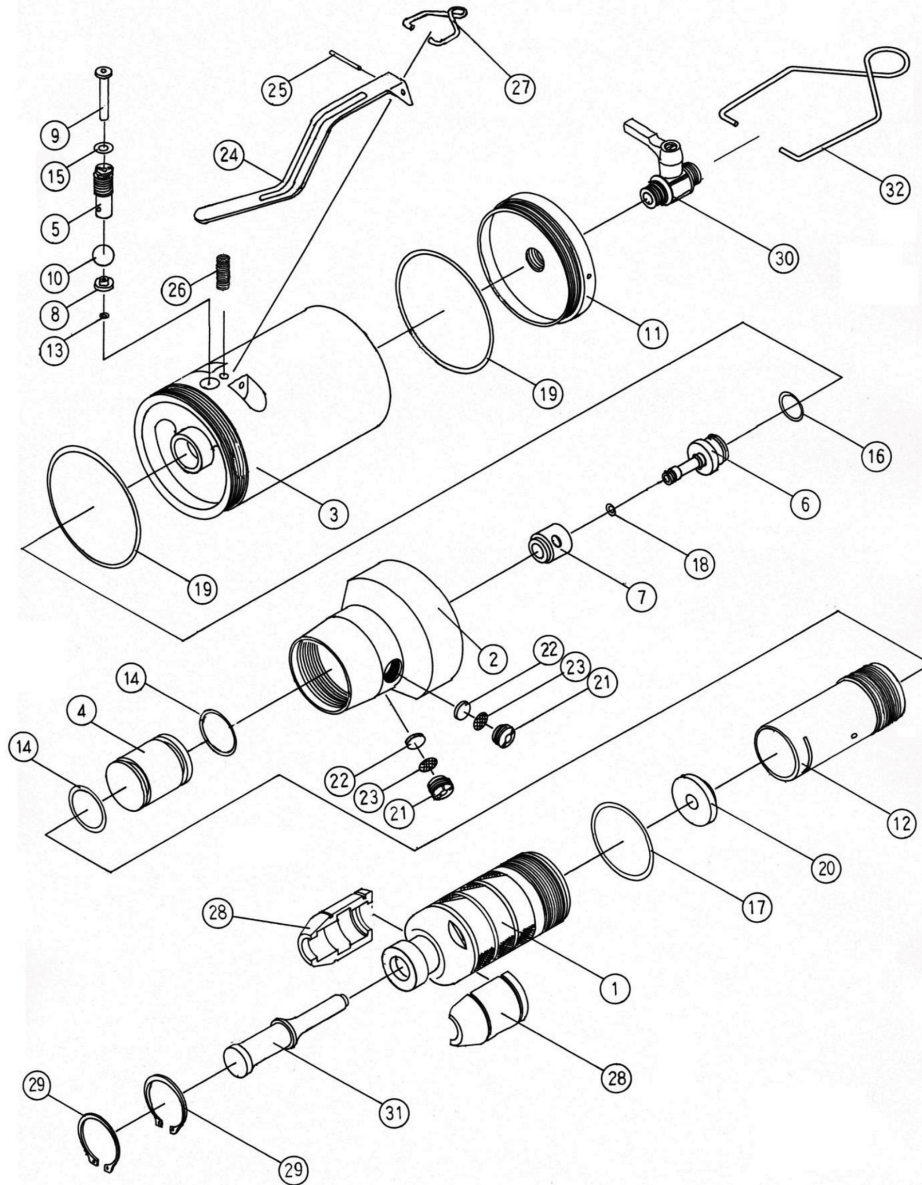


RH-200 ONE SHOT HAMMER

EXPLODED VIEW



PARTS LIST — FOR REFERENCE ONLY

Index Number	Part Number	Description	Qty.	Index Number	Part Number	Description	Qty.	Index Number	Part Number	Description	Qty.
1	RH-200-1	Head Cylinder	1	12	RH-200-12	Inner Cylinder	1	23	RH-200-23	Silencer Net	2
2	RH-200-2	Unit Cylinder	1	13	RH-200-13	O-Ring	1	24	RH-200-24	Switch Lever	1
3	RH-200-3	Switch Body	1	14	RH-200-14	O-Ring	2	25	RH-200-25	Spring Pin	1
4	RH-200-4	Hitting Piston	1	15	RH-200-15	O-Ring	1	26	RH-200-26	Lever Spring	1
5	RH-200-5	Set Screw	1	16	RH-200-16	O-Ring	1	27	RH-200-27	N-Hook	1
6	RH-200-6	Valve Piston	1	17	RH-200-17	O-Ring	1	28	RH-200-28	Rivet Snap Retainer	2
7	RH-200-7	Valve No. 1	1	18	RH-200-18	O-Ring	1	29	RH-200-29	Retainer Ring	2
8	RH-200-8	Valve No. 2	1	19	RH-200-19	O-Ring	2	30	RH-200-30	Nipple with Stop Valve	1
9	RH-200-9	Air Pin	1	20	RH-200-20	Rubber Cushion	1	31	RH-200-31	Rivet Snap	1
10	RH-200-10	Urethane Bal	1	21	RH-200-21	Silencer Cap	2	32	RH-200-32	Hanger	1
11	RH-200-11	Cap	1	22	RH-200-22	Silencer	2				

FOOTNOTES



10000 SE PINE
PORTLAND, OR 97216
503-254-6600
FAX 503-255-2615

When ordering spare parts, please specify tool type, part number, and description.