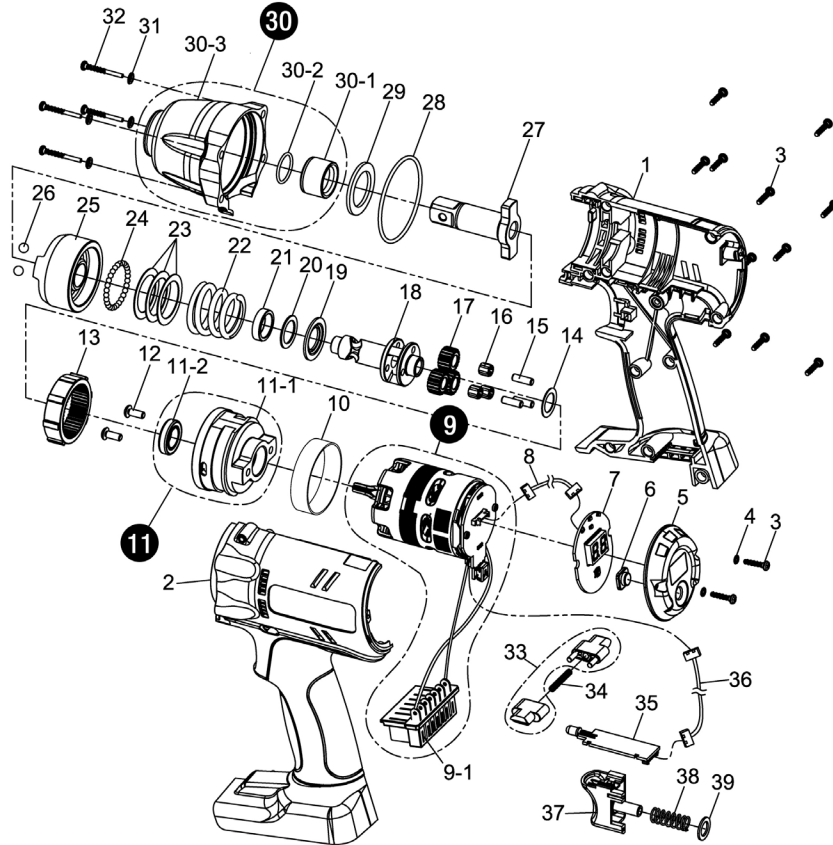


SIW-P12050 CORDLESS SHUT-OFF IMPACT TOOL

EXPLODED VIEW



PARTS LIST — FOR REFERENCE ONLY

Index Number	Part Number	Description	Qty.
1	32001-IWCP-01	Upper Housing Assembly	1
2	32002-IWCP-03	Lower Housing Assembly	1
3	0-152001	Screw (3 x 14L)	13
4	0-194014	Spring Washer	2
5	33110-IWCP-01	Cover	1
6	33109-IWCP-03	Button	1
7	32076-IWCP-02	LED Indicator Board	1
8	32086-IWCP-01	Connector Wire	1
9	32083-IWCP-02	Brushless Motor w/driver	1
9-1		Connector	1
10	33139-PWAP-01C	Ring	1
11	32050-IWCP-01	Gear Box Assembly	1
11-1		Gear Box	1
11-2		Ball Bearing	1
12	0-121005	Screw (M4 x 10L)	2
13	33249-IWCP-03	Gear Ring	1
14	33239-IWAP-01	Washer	1
15	0-511050	Pin (4 x 12.8 mm)	3
16	0-211003	Needle Bearing (KT-477)	3
17	33249-IWCP-02	Planet Gear	3
18	33243-IWCP-06	Shaft	1
19	33239-IWBP-01	Washer	1
20	33239-IWCP-01	Washer	1
21	33139-IWCP-01	Washer	1

Index Number	Part Number	Description	Qty.
22	33248-IWBP-01	Spring	1
23	33239-IWAP-02	Washer	3
24	981-150-0	Steel Ball (3)	28
25	33245-IWCP-01	Driving Hammer	1
26	981-005-0	Steel Ball (7/32")	2
27	33243-IWCP-04	Anvil	1
28	0-411018	O-Ring	1
29	33239-IWCP-04	Washer	1
30	32041-IWCP-01	Front Cover Assembly	1
30-1		Bushing	1
30-2		O-Ring	1
30-3		Front Cover	1
31	0-194001	Spring Washer	4
32	0-151010	Screw (4 x 25L)	4
33	32009-IWCP-01	F/R Valve (1 set x 2 pcs)	1
34	33248-IWCP-01	Spring	1
35	32076-IWCP-01	PC Board	1
36	32186-IWCP-01	Connector Wire	1
37	32009-PWAP-03	Trigger Assembly	1
38	33248-PWAP-01	Spring	1
39	33139-PWAP-02	Washer	1

FOOTNOTES



10000 SE PINE
 PORTLAND, OR 97216
 503-254-6600
 FAX 503-255-2615

When ordering spare parts, please specify
 tool type, part number, and description.