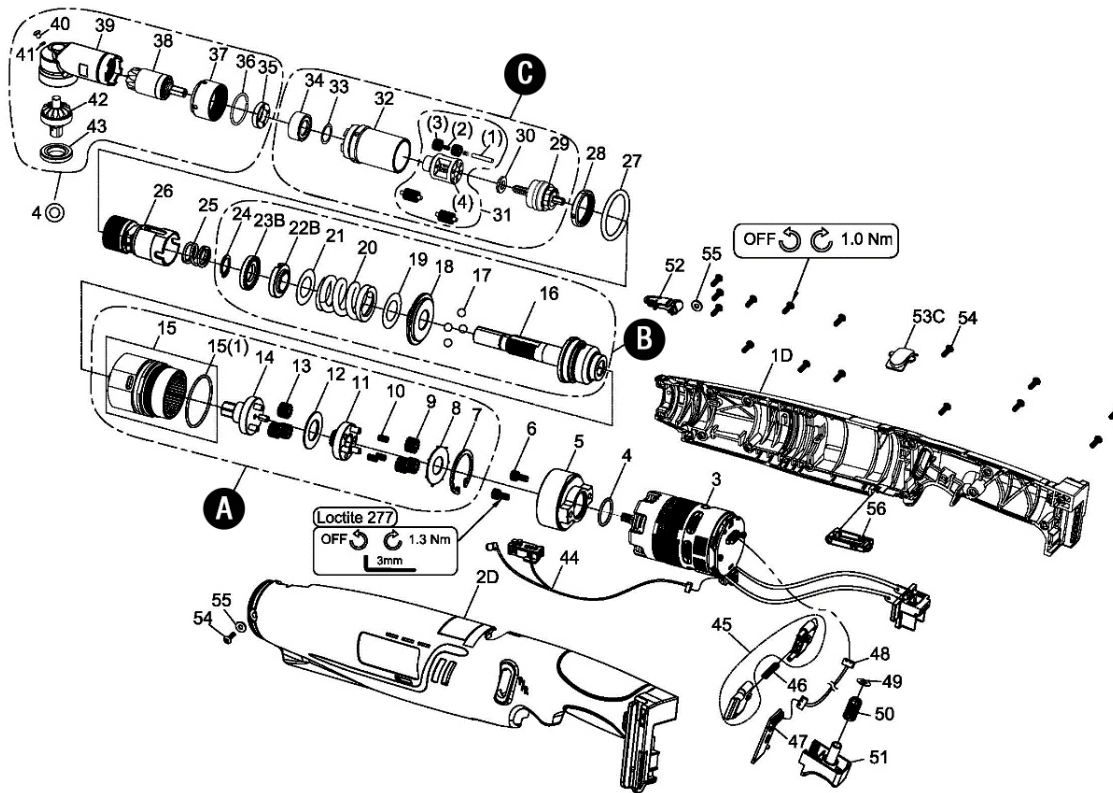


SPC-A27038 CORDLESS SHUT-OFF ANGLE TOOL

EXPLODED VIEW



PARTS LIST — FOR REFERENCE ONLY

Index Number	Part Number	Description	Qty.	Index Number	Part Number	Description	Qty.	Index Number	Part Number	Description	Qty.
1	32001-WRBA	Upper Housing	1	25	D48WR	Spring	1	44	B75WR	Sensor & LED Assembly	1
2	32002-WRBA	Lower Housing	1	26	B51WRB70-3	Connecting Holder Assembly	1	45	B09PW15-1#B1	F/R Valve (1 set x 2 pcs)	1
3	B83WR10	Brushless Motor Assembly w/Driver	1	27	000-4120W	Marking Ring (P32, White)	1	46	D48PW15-1	Spring	1
4	000-4110	O-Ring (16 x 1.5)	1	28	D54WRB-3#BZ	Adjust Nut	1	47	E76WR	PC Board	1
5	D51SC108B	Motor Holder	1	(C)	B49WRB70-2	Gear Ring Unit	1	48	E86SC	Connector Wire	1
6	000-0242	Screw (M4 x 8L)	2	29		Sun Gear Assembly	1	49	C39PW15-3	Washer	1
(A)	B50WRB70	Gear Box Unit	1	30		Washer	1	50	D48PW15	Spring	1
7		Snap Ring (RTW-28)	1	31		Gear Cage Assembly	1	51	B09PW15#B1	Trigger Assembly	1
8		Washer	1	31(1)		Pin	3	52	C10SC108B-2#B1	Cover	1
9		Planet Gear	3	31(2)		Needle Bearing	6	53C	33110-WRBA-02	Cover	1
10		Planet Gear	3	31(3)		Planet Gear	6	54	000-1430C	Screw (M3 x P0.5 x 10L)	16
11		Needle Bearing	3	31(4)		Gear Cage	1	55	000-1531B	Washer (3.3 x 8)	2
12		Gear Cage Assembly	1	32		Gear Ring	1	56	C10WRB#B1	Cover	1
13		Washer	1	33		Washer	1				
14		Planet Gear	3	34		Bushing	1				
15		Gear Plate Assembly	1	(D)	B42WRB3-70	Angle Housing Unit	1				
15(1)		Gear Box Assembly	1	35		Lock Nut	1				
		O-Ring (28 x 1.5)	1	36		Collar	1				
(B)	B43WR70	Clutch Unit	1	37		Lock Nut	1				
16		Clutch Assembly	1	38		Main Bevel Gear Assembly	1				
17		Steel Ball (7/32")	4	39		Angle Housing Assembly	1				
18		Washer	1	40		Screw	1				
19		Washer	1	41		O-Ring (3 x 1.5)	1				
20		Spring (Yellow)	1	42		Bevel Gear Assembly	1				
21		Washer (White)	1	43		Lock Nut	1				
22		Adjust Washer	1								
23		Adjust Nut	1								
24		Snap Ring (ISTW-12)	1								

ACCESSORIES

BB180C-320	18V Li-Ion 2.0 Ah Battery	1
B84192B	Battery Charger	1

AIMCO also offers a complete line of standard & special adapters, bits, sockets, and extensions

FOOTNOTES



10000 SE PINE
PORTLAND, OR 97216
503-254-6600
FAX 503-255-2615

When ordering spare parts, please specify tool type, part number, and description.