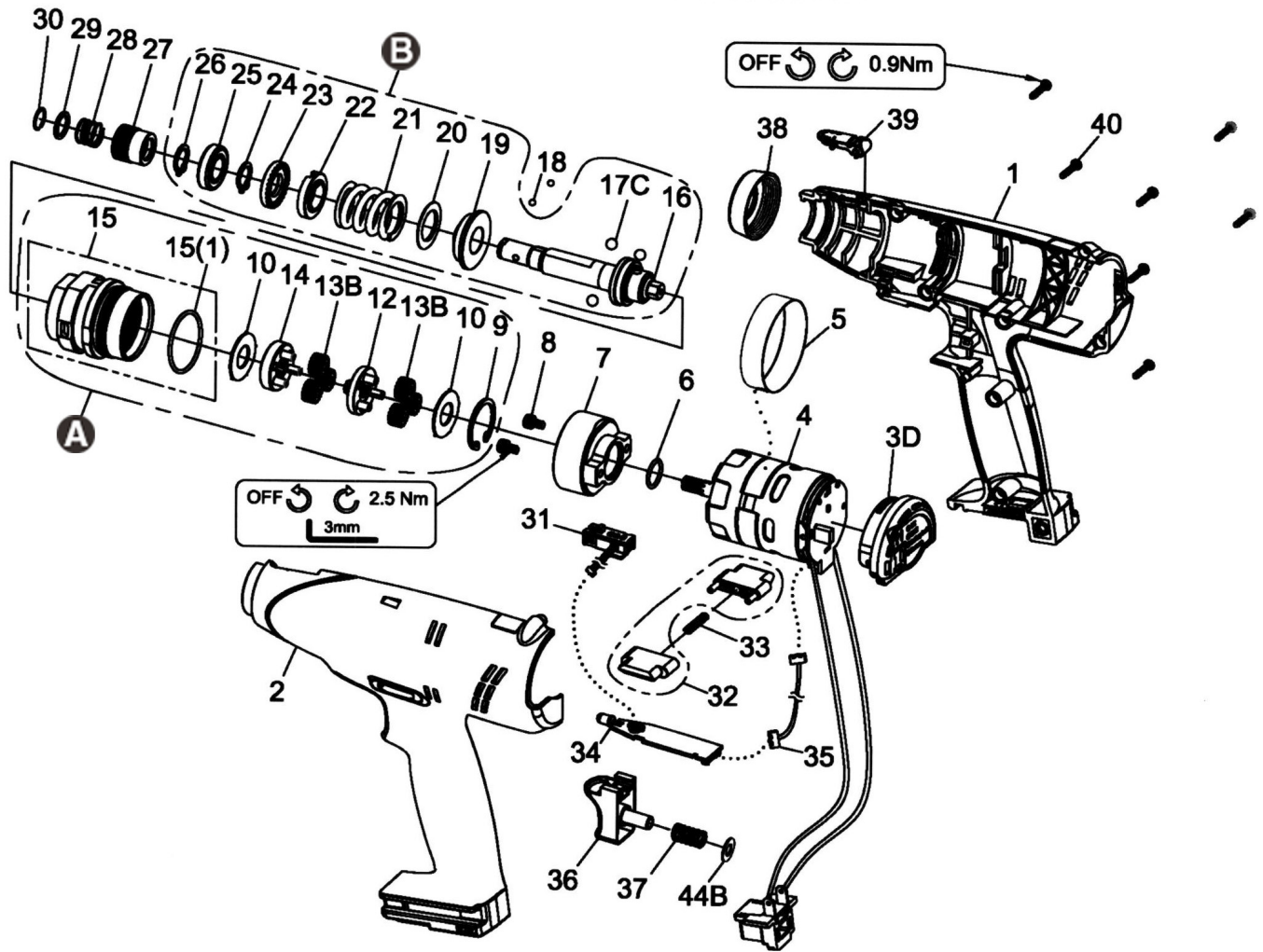


# SPC-P21225Q CORDLESS SHUT OFF SCREWDRIVER (LI-ION)

## EXPLODED VIEW



## PARTS LIST — FOR REFERENCE ONLY

Index Number	Part Number	Description	Qty.	Index Number	Part Number	Description	Qty.	Index Number	Part Number	Description	Qty.
1	C01SC#G2	Upper Housing	1	<b>B</b>	B43SC180B12	Clutch Unit	1	31	B75SC	Sensor Assembly	1
2	C02SC#G2	Lower Housing	1	16		Clutch Assembly	1	32	B09PW15-1#B1	FIR Valve (1 set x 2 pcs)	1
3D	B10SC-3#W2	Cover	1	17C		Steel Ball (7/32")	3	33	D48PW15-1	Spring	1
4	B83SC12	Brushless Motor with Driver	1	19		Washer	1	34	E76SC	PC Board	1
5	C39PW15	Ring	1	20		Washer	1	35	E86SC	Connector Wire	1
6	000-4110	O-Ring (16 x 1.5)	1	21		Spring	1	36	B09PW15#B1	Trigger Assembly	1
7	D51SC108B	Motor Holder	1	22		Adjust Washer	1	37	D48PW15	Spring	1
8	000-0243	Screw (M4 x 6L)	2	23		Adjust Nut	1	38	D54SC#BV	Lock Nut	1
<b>A</b>	B50SC180B12-2	Gear Box Unit	1	24		Snap Ring (STW-12)	1	39	C10SC108B-2#B1	Cover	1
9		Retaining Ring (IRTW-26)	1	25		Ball Bearing (6901)	1	40	000-0930	Screw (3 x 14L)	7
10		Washer	2	26		Snap Ring (STW-11)	1	44B	C39PW15-3	Washer	1
12		Gear Cage Assembly	1	18	000-3833	Steel Ball (3)	2				
13B		Planet Gear	6	27	D4210144A	Quick Change Holder	1				
14		Gear Plate Assembly	1	28	D4810144A	Spring	1				
15		Gear Box Assembly	1	29	D391D144A	Hold Spacer	1				
15(1)		O-Ring (24 x 1.5)	1	30	D441D144A	Anvil Collar	1				

## FOOTNOTES



10000 SE PINE  
PORTLAND, OR 97216  
503-254-6600  
FAX 503-255-2615

When ordering spare parts, please specify tool type, part number, and description.