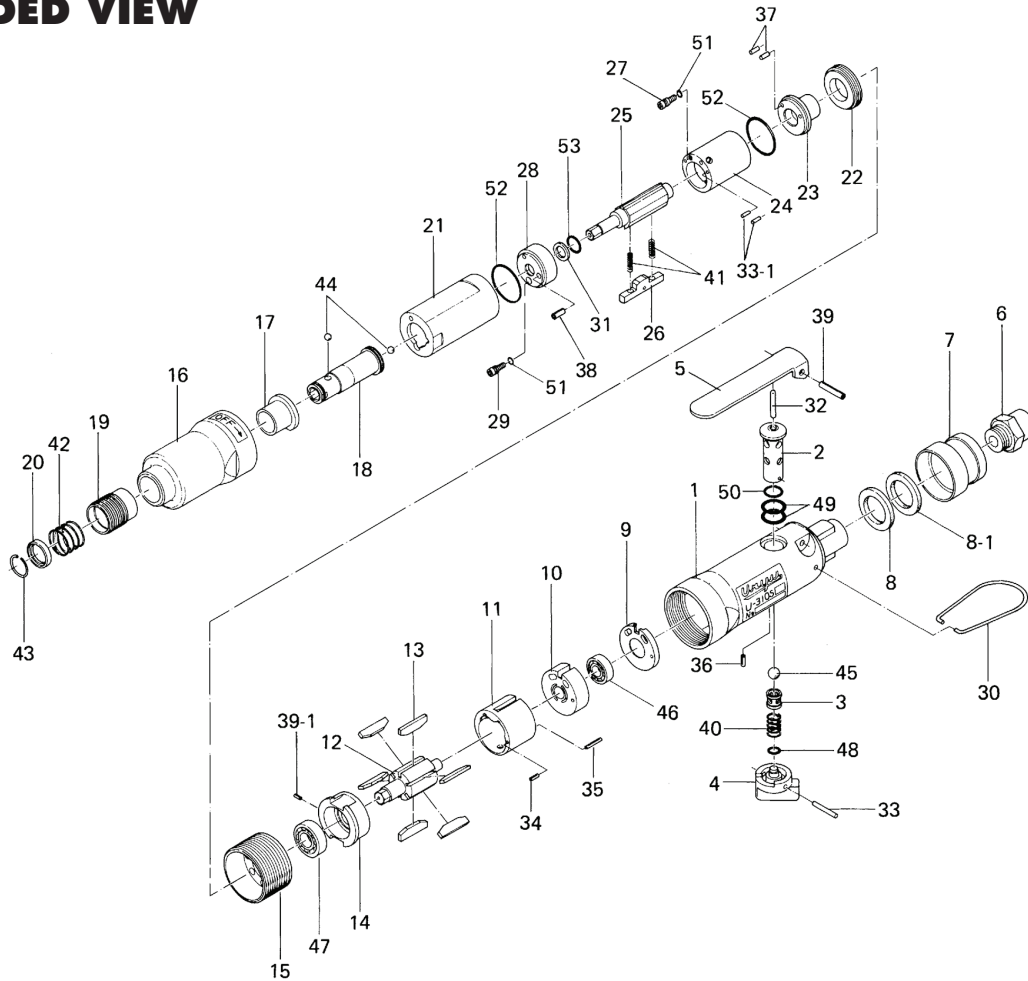


U-31 OSD OIL-PULSE TOOL

EXPLODED VIEW



PARTS LIST — FOR REFERENCE ONLY

Index Number	Part Number	Description	Qty.	Index Number	Part Number	Description	Qty.	Index Number	Part Number	Description	Qty.
1	196-025-2	Handle	1	21	196-905-6	Liner Casing	1	39-1	973-000-0	Roller Pin (1.5 x 4)	1
2	196-210-6	Reverse Valve	1	22	196-906-6	Liner Casing Setter	1	40	976-149-0	Spring (7 x 10)	1
3	196-100-6	Valve	1	23	196-901-6	Rear Liner Plate	1	41	976-242-0	Spring (2.8 x 13.5)	2
4	410-212-1	Reverse Lever	1	24	196-902-6	Liner	1	42	976-327-0	Spring (13.5 x 11)	1
5	196-107-7	Valve Lever	1	25	196-319-6	Anvil	1	43	978-117-0	Snap Ring (11.7 x 1.0)	1
6	480-091-8	Air Inlet Bushing	1	26	196-440-7	Driving Blade	1	44	981-002-0	Ball (1/8)	2
7	408-782-1	Exhaust Cover	1	27	196-970-6	Relief Valve	1	45	981-205-0	Ball (7/32)	1
8	196-835-6	Filter	1	28	196-9046	Front Liner Plate	1	46	982-033-0	Ball Bearing (696ZZ)	1
8-1	408-835-1	Filter	1	29	196-742-6	Oil Plug	1	47	982-035-0	Ball Bearing (698ZZ)	1
9	196-291-6	Rear Plate Spacer	1	30	401-790-1	Suspension Ring	1	48	990-002-0	O-Ring (P4)	1
10	196-285-6	Rear Plate	1	31	944-006-0	Supporter Ring (5.85 x 9.1 x 1)	1	49	990-008-0	O-Ring (P10)	2
11	196-286-8	Cylinder	1	32	972-036-0	Roller Pin (2.5 x 15.8)	1	50	990-205-0	O-Ring (JW1516-5)	1
12	196-287-6	Rotor	1	33	971-117-0	Pin (2 x 17)	1	51	990-319-0	O-Ring (APR568002)	2
13	196-288-6	Blade	6	33-1	972-010-0	Needle Roller (1.5 x 6.8)	2	52	990-916-0	O-Ring (SNS-18)	2
14	196-289-8	Front Plate	1	34	973-001-0	Roller Pin (1.5 x 6)	1	53	990-952-0	O-Ring (P6)	1
15	196-294-6	Cylinder Set Screw	1	35	973-047-0	Roller Pin (1.5 x 14)	1	55	939-090-0	Allen Wrench (1.5 mm) (55 x 55)	1
16	196-439-6	Front Casing	1	36	973-006-0	Roller Pin (2 x 6)	1				
17	190-328-6	Anvil Bushing	1	37	972-011-0	Needle Roller (1.5 x 4.8)	2				
18	196-350-7	Driver Anvil	1	38	969-449-0	Pin (G) (3 x 6)	1				
19	011-351-1	Bit Sleeve	1	39	973-122-0	Roller Pin (3 x 22)	1				
20	011-352-1	Bit Spacer	1								

FOOTNOTES



10000 SE PINE
PORTLAND, OR 97216
503-254-6600
FAX 503-255-2615

When ordering spare parts, please specify tool type, part number, and description.