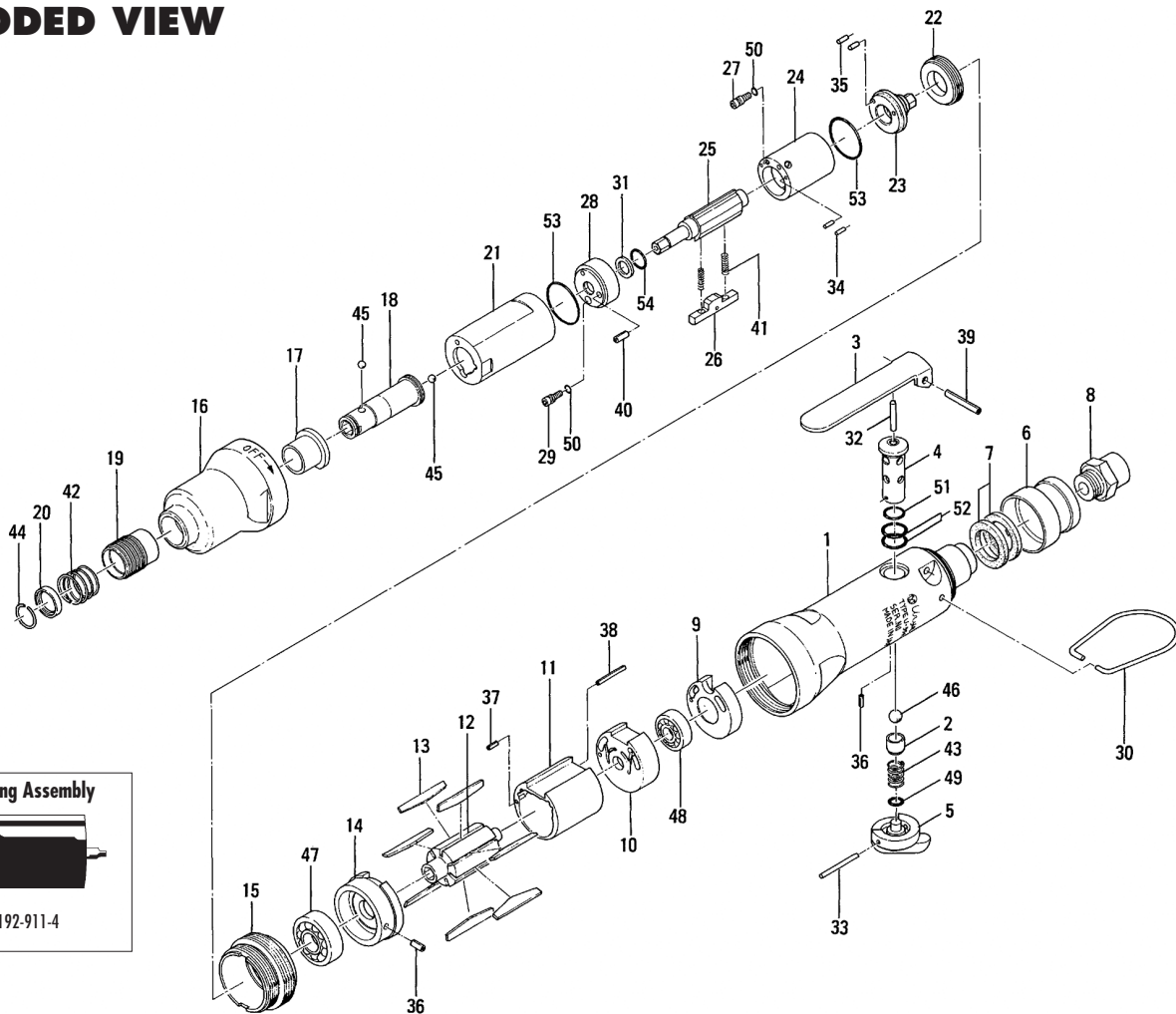


U-350SD OIL-PULSE TOOL

EXPLODED VIEW



PARTS LIST — FOR REFERENCE ONLY

Index Number	Part Number	Description	Qty.	Index Number	Part Number	Description	Qty.	Index Number	Part Number	Description	Qty.
1	193-025-3	Handle	1	22	196-906-6	Liner Casing Setter	1	42	976-327-0	Spring (13.5 x 11) (0.9)	1
2	480-100-9	Valve	1	23	177-901-0	Liner Rear Plate	1	43	977-150-0	Cone Spring (6.8 x 8.5 x 8) (0.4)	1
3	196-107-7	Valve Lever	1	24	196-902-6	Liner	1	44	978-117-0	Snap Ring (11.7 x 1)	1
4	177-210-3	Reverse Valve	1	25	196-319-6	Anvil	1	45	981-002-0	Ball (1/8)	2
5	180-212-2	Reverse Lever	1	26	192-440-4	Driving Blade	1	46	981-206-0	Ball (1/4)	1
6	408-782-1	Exhaust Cover	1	27	196-970-6	Relief Valve	1	47	982-100-0	Ball Bearing (6000)	1
7	471-835-5	Filter	2	28	196-904-6	Liner Front Plate	1	48	982-401-0	Ball Bearing (EE-2)	1
8	480-091-8	Air Inlet Bushing	1	29	196-742-6	Oil Plug	1	49	990-321-0	O-Ring (ARP568-104)	1
9	177-291-3	Rear Plate Spacer	1	30	010-790-1	Suspension Ring	1	50	990-319-0	O-Ring (ARP568-002)	2
10	177-285-3	Rear Plate	1	31	944-006-0	Supporting Ring (5.85 x 9.1 x 1)	1	51	990-907-0	O-Ring (SNS-9)	1
11	193-286-3	Cylinder	1	32	970-217-0	Pin (G) (3 x 17)	1	52	990-909-0	O-Ring (SNS-11.2)	2
12	177-287-0	Rotor	1	33	973-022-0	Roll Pin (2 x 22)	1	53	990-916-0	O-Ring (SNS-18)	2
13	177-288-0	Blade	7	34	972-010-0	Needle Roller Pin (1.5 x 6.8)	2	54	990-952-0	O-Ring (P-6) (NOK)	1
14	192-289-4	Front Plate	1	35	972-011-0	Needle Roller Pin (1.5 x 4.8)	2	ACCESSORIES			
15	192-035-4	Handle Connector	1	36	973-005-0	Roll Pin (2 x 5)	2	56	939-091-0	Allen Wrench (1.5 mm)	1
16	192-439-4	Front Casing	1	37	973-006-0	Roll Pin (2 x 6)	1	FOOTNOTES			
17	190-328-6	Anvil Bushing	1	38	973-018-0	Roll Pin (2 x 18)	1				
18	196-350-7	Driver Anvil	1	39	973-122-0	Roll Pin (3 x 22)	1				
19	011-351-1	Bit Sleeve	1	40	969-449-0	Pin (G) (3 x 6)	1				
20	011-352-1	Bit Spacer	1	41	976-242-0	Spring (2.8 x 13.5) (0.4)	2				
21	196-905-6	Liner Casing	1								



10000 SE PINE
 PORTLAND, OR 97216
 503-254-6600
 FAX 503-255-2615

When ordering spare parts, please specify tool type, part number, and description.