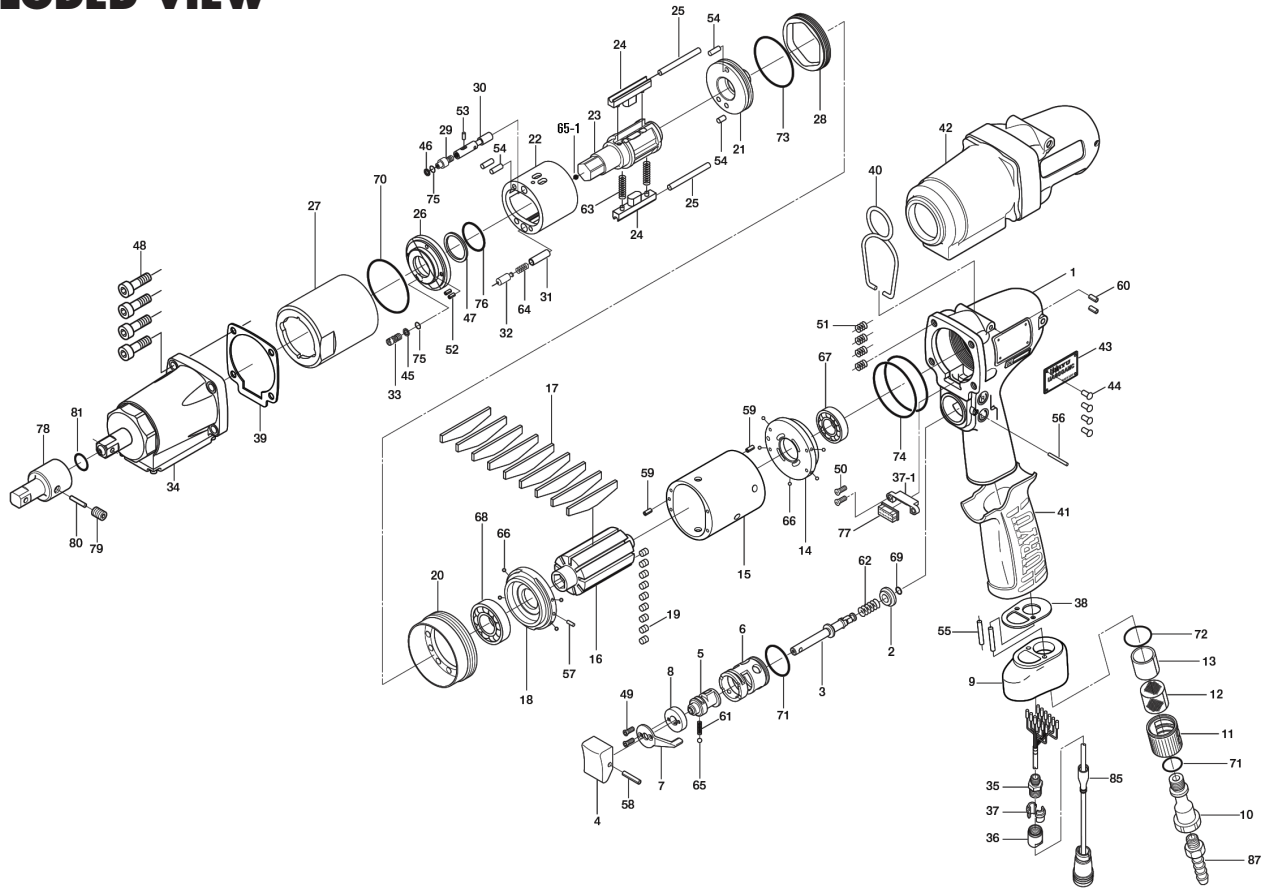


UA-1000AMC OIL-PULSE WRENCHES

EXPLODED VIEW



PARTS LIST — FOR REFERENCE ONLY

Index Number	Part Number	Description	Qty.	Index Number	Part Number	Description	Qty.	Index Number	Part Number	Description	Qty.
1	17G-025-9	Handle	1	31	18F-274-8	Pressure Valve Spring Collar	1	60	973-308-0	Roll Pin (5 x 8)	2
2	147-100-8	Valve	1	32	18F-276-9	Pressure Valve Body	1	61	976-006-0	Spring (3 x 5)	1
3	17E-104-9	Valve Rod	1	33	194-742-3	Oil Plug	1	62	976-643-0	Spring (3.7 x 31)	1
4	147-107-2	Valve Lever	1	34	17G-975-9	Sensor Casing Assembly (S12AMC)	1	63	976-783-0	Spring (4.3 x 36)	2
5	147-210-8	Reverse Valve	1	35	149-079-2	Connector	1	64	976-874-0	Spring (3.4 x 16.6)	1
6	147-211-8	Reverse Valve Bushing	1	36	149-018-2	Cap	1	65	981-002-0	Ball (1/8)	1
7	147-212-8	Reverse Lever	1	37	149-562-2	Stopper	2	65-1	981-222-0	Ball (17/64)	1
8	17E-213-9	Reverse Valve Spacer	1	37-1	911-019-0	Connector Cover	1	66	981-045-0	Ball (1/5)	9
9	17G-035-8	Handle Connector	1	38	17G-850-8	Handle Packing	1	67	982-949-0	Ball Bearing (16001)	1
10	17G-091-8	Air Inlet Bushing	1	39	17G-867-9	Front Casing Packing	1	68	982-950-0	Ball Bearing (16002)	1
11	147-780-9	Exhaust Stack	1	40	174-790-0	Suspension Ring	1	69	990-306-0	O-Ring (APR-568-004)	1
12	147-042-8	Silencer	1	41	17D-842-3	Handle Cover	1	70	990-928-0	O-Ring (SNS-38)	1
13	148-835-2	Filter (K50)	1	42	17G-840-9	Handle Protector (Ro10)	1	71	990-914-0	O-Ring (SNS-16)	2
14	148-285-2	Rear Plate	1	43	17G-924-9	Metal Tag (UA1000AMC)	1	72	990-919-0	O-Ring (SNS-22)	1
15	155-286-0	Cylinder	1	44	930-205-0	Driver Rivet	4	73	990-929-0	O-Ring (SNS-36)	1
16	148-287-2	Rotor	1	45	944-003-0	Back-up Ring (3 x 5 x 1)	1	74	990-938-0	O-Ring (SNS-2)	2
17	148-288-2	Blade	9	46	944-203-0	Back-up Ring (3.1 x 5 x 1)	1	75	990-970-0	O-Ring (SNS-2)	2
18	148-289-2	Front Plate	1	47	944-215-0	Back-up Ring (1.6 x 19.9 x 1.5)	1	76	992-021-0	SU-Ring (Q16)	1
19	148-064-2	Plug	9	48	945-117-0	Allen Head Bolt (M5 x 16)	4	77	910-335-0	Double-Row Socket	1
20	17G-036-9	Hammer Casing Connector	1	49	948-424-0	Allen Flush Head Screw (M3 x 8)	2	78	904-190-0	Extension Bar (1/2 x 60)	1
21	17F-901-3	Rear Liner Plate	1	50	957-256-0	Cross Flush Head Screw (M2 x 5)	2	79	953-205-0	Allen Head Screw (M5 x 5)	1
22	18F-902-8	Liner	1	51	965-011-0	Heli-vert (M5 x 1.5D)	4	80	971-220-0	Pin (3 x 20)	1
23	073-319-1	Anvil	1	52	969-450-0	Pin (G) (3 x 8)	2	81	990-016-0	O-Ring (P-16)	1
24	148-440-2	Driving Blade	2	53	970-091-0	Pin (H) (2 x 4.5)	1				
25	148-974-2	Roller (3 x 35)	2	54	970-205-0	Pin (H) (3 x 7)	4	ACCESSORIES			
26	18F-904-8	Front Liner Plate	1	55	970-206-0	Pin (H) (3 x 8)	2	85	911-063-0	Joint Cable Assembly	1
27	148-905-2	Liner Casing	1	56	971-125-0	Pin (2 x 25)	1	86	939-091-0	Allen Wrench (1/5)	1
28	148-906-2	Liner Casing Cover	1	57	973-006-0	Roll Pin (2 x 6)	1	87	940-114-0	Air Hose Nipple (NPT1/4 x 3/8)	1
29	174-907-2	Relief Valve Spindle	1	58	973-014-0	Roll Pin (2 x 14)	1	88	910-263-0	Sensor Cable Assembly (3F5)	1
30	17F-970-3	Relief Valve	1	59	973-068-0	Roll Pin (2.5 x 8)	2	89	911-023-0	Encoder Cable Assembly	1
								90	909-749-0	Solenoid Valve Assembly	1

FOOTNOTES



10000 SE PINE
PORTLAND, OR 97216
503-254-6600
FAX 503-255-2615

When ordering spare parts, please specify
tool type, part number, and description.