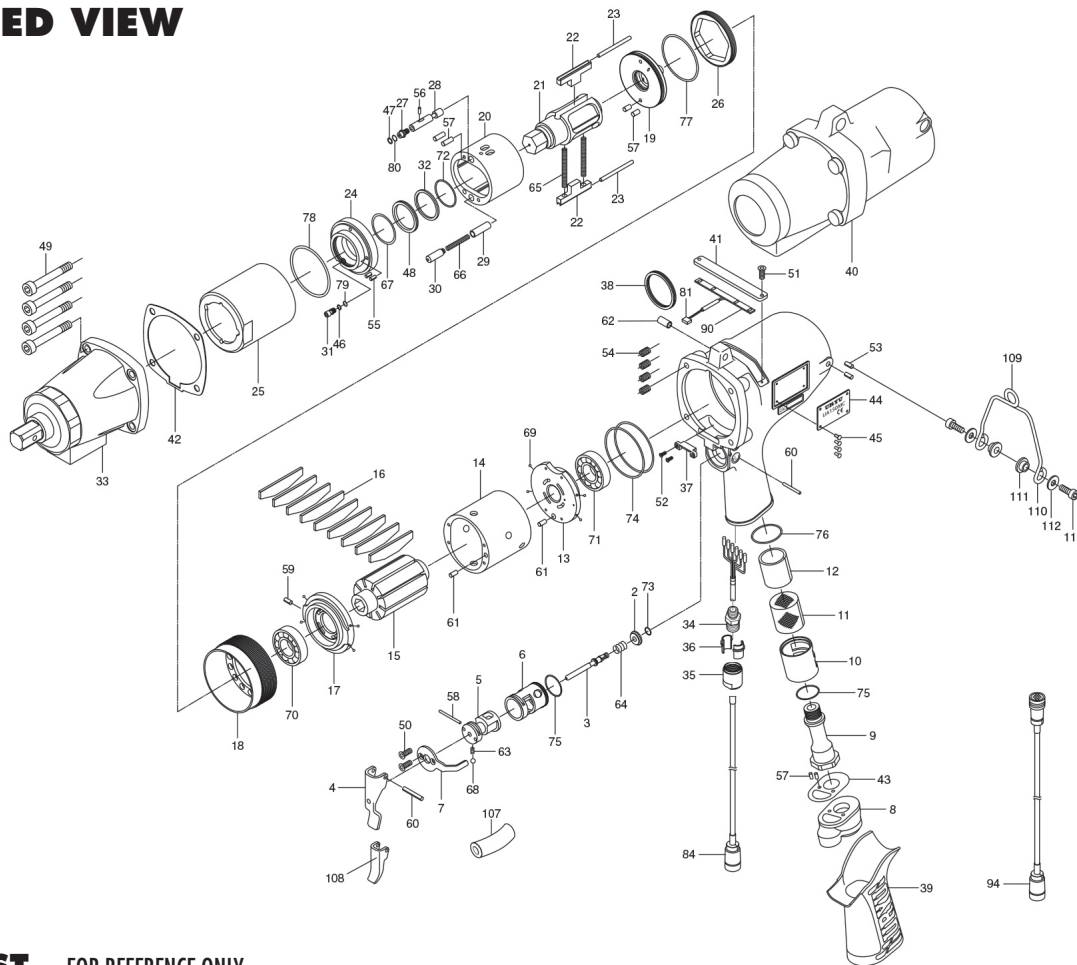


UA-150MC OIL-PULSE WRENCHES

EXPLODED VIEW



PARTS LIST — FOR REFERENCE ONLY

Index Number	Part Number	Description	Qty.	Index Number	Part Number	Description	Qty.	Index Number	Part Number	Description	Qty.
1	17M-025-0	Handle	1	34	149-079-2	Connector	1	68	981-002-0	Ball (1/8)	1
2	130-100-2	Valve	1	35	149-018-2	Cap	1	69	981-045-0	Ball (1.5)	9
3	130-104-2	Valve Rod	1	36	149-562-2	Stopper	2	70	982-905-0	Ball Bearing (6904)	1 ●
4	130-107-2	Valve Lever	1	37	911-017-0	Connector Cover	1	71	982-951-0	Ball Bearing (16003)	1 ●
5	130-210-2	Reverse Valve	1	38	004-790-2	Suspension Ring	1	72	990-170-0	O-Ring (ARP-568-120)(NTN)	1 ■
6	130-211-2	Reverse Valve Bushing	1	39	17F-842-7	Handle Cover	1	73	990-306-0	O-Ring (ARP-568-004)(H)	1
7	130-212-2	Reverse Lever	1	40	852-889-1	Handle Protector (Ro10)	1	74	990-316-0	O-Ring (ARP-569-035)	2 ●
8	17M-035-0	Handle Connector	1	41	17M-767-0	Handle Protector	1	75	990-916-0	O-Ring (SNS-18)	2
9	17M-091-0	Air Inlet Bushing	1	42	17M-867-0	Front Casing Packing	1 ●	76	990-921-0	O-Ring (SNS-22.4)	1
10	130-780-2	Exhaust Stack	1	43	17M-850-0	Handle Packing	1	77	990-936-0	O-Ring (SNS-45)	1
11	130-042-2	Silencer	1	44	17M-924-0	Name Plate	1	78	990-937-0	O-Ring (SNS-46)	1 ■
12	130-835-3	Filter (K50)	1 ●	45	930-205-0	Drive Rivet No.0 x 2.6	4	79	990-970-0	O-Ring (SNS-2)(NOK)	1 ■
13	130-285-4	Rear Plate	1	46	944-003-0	Supporting Ring (3.0 x 5.0 x 1)	1 ■	80	990-972-0	O-Ring (SNS-4)(NOK)	1 ■
14	114-286-8	Cylinder	1	47	944-205-0	Supporting Ring (5.1 x 7 x 1)	1 ■	81	909-604-0	Connector	1
15	114-287-8	Rotor	1	48	944-225-0	Supporting Ring (25.2 x 29.4 x 1.5)	1 ■	82	909-738-0	Shrink Tube	1
16	130-288-2	Blade (PC)	9 ●	49	945-218-0	Allen Head Bolt (M6 x 18)	4	83	909-918-0	Double-Row Socket (DF-12DC-2C)	1
17	114-289-8	Front Plate	1	50	948-423-0	Allen Flush Head Screw (M3 x 6)	2	84	911-062-0	Joint Cable Assembly	1
18	17M-036-0	Hammer Casing Connector	1	51	957-236-0	Cross Pan Head Screw (M2.5 x 6)	2	90	909-561-0	LED Assembly	1
19	17M-901-0	Liner Rear Plate	1	52	957-256-0	Cross Flush Head Screw (M2 x 5)	2				
20	18G-902-4	Liner	1	53	965-010-0	Heli-sert (M5 x 10)	2		STANDARD ACCESSORIES		
21	17M-319-0	Anvil	1	54	965-021-0	Heli-sert (M6 x 1.5D)	4	98	909-798-0	Solenoid Valve Assembly	1
22	130-440-4	Driving Blade	2	55	969-450-0	Pin (G) (3 x 8)	2	105	939-109-0	Allen Wrench (2)	1
23	130-974-2	Roller (3 x 40)	2	56	970-093-0	Pin (H) (2 x 6)	1	106	939-104-0	Allen Wrench (5)	1
24	17M-904-0	Liner Front Plate	1	57	970-206-0	Pin (H) (3 x 8)	6	110	940-114-0	Air Hose Nipple (NPT 1/4 x 3/8)	1
25	130-905-4	Liner Casing	1	58	971-126-0	Pin (2 x 26)	1		OPTIONAL ACCESSORIES		
26	130-906-4	Liner Casing Cover	1	59	973-066-0	Roll Pin (2.5 x 6)	1	94	910-263-0	Sensor Cable Assembly (3F5)	1
27	175-907-9	Relief Valve Spindle	1	60	973-120-0	Roll Pin (3 x 20)	1	107	910-633-0	Connector Protector	1
28	163-970-4	Relief Valve	1	61	973-212-0	Roll Pin (4 x 12)	2	108	130-107-4	Valve Lever (Shorter)	1
29	17F-274-7	Pressure Regulator Valve	1	62	973-342-0	Roll Pin (6 x 12)	1	109	851-106-1	Suspension Bail Assembly	1
		Spring Retainer	1	63	976-006-0	Spring (3 x 5) (0.4)	1	110	851-107-1	Suspension Bail	1
30	17F-276-7	Pressure Regulator Valve Body	1	64	976-643-0	Spring (7.5 x 9.7)(0.9)	1	111	193-791-6	Suspension Receiver	2
31	194-742-3	Oil Plug	1	65	976-795-0	Spring (4.3 x 40.5)(0.6)(WPC)	2 ■	112	193-792-6	Suspension Plate	2
32	163-807-5	Spacer	1	66	976-875-0	Spring (4.3 x 26)(0.75)	1 ■	113	945-112-0	Allen Head Bolt (M5 x 12)	2
33	17M-975-0	Sensor Casing Assembly (UA-S225)	1	67	979-207-0	Snap Ring (30)	1				



10000 SE PINE
PORTLAND, OR 97216
503-254-6600
FAX 503-255-2615

When ordering spare parts, please specify
tool type, part number, and description.

FOOTNOTES

- = Items in Repair Kit UA-150MC-RK
- = Items in Pulse Repair Kit UA-150MC-PRK