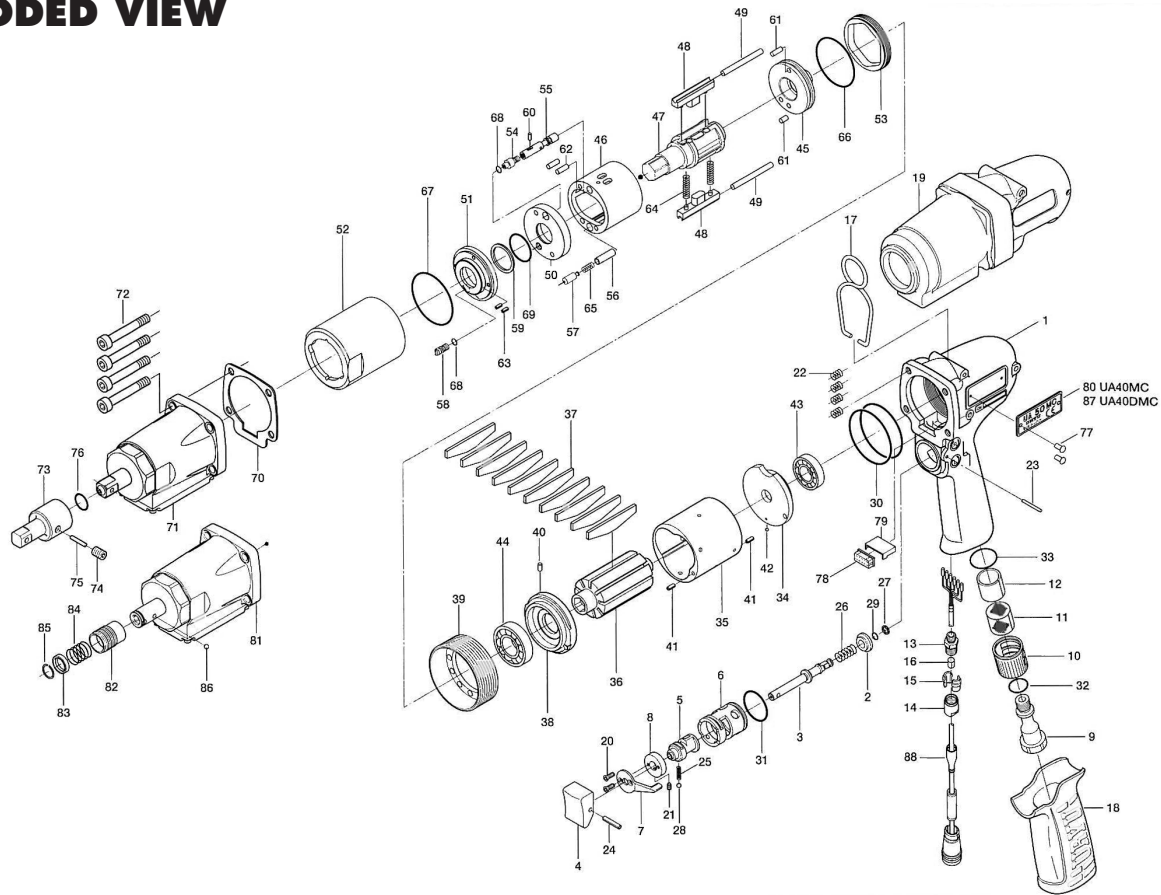


UA-40MC/DMC SERIES OIL PULSE WRENCHES

EXPLODED VIEW



PARTS LIST — FOR REFERENCE ONLY

Index Number	Part Number	Description	Qty.	Index Number	Part Number	Description	Qty.	Index Number	Part Number	Description	Qty.
COMMON PARTS											
1	17C-025-4	Handle	1	33	990-916-0	O-Ring (SNS-18)	1	66	990-329-0	O-Ring (JW1530-19)	1 ●
2	147-100-3	Valve	1	34	18B-285-2	Rear Plate	1	67	990-605-0	O-Ring (25 x 1.45)	1 ●
3	147-104-2	Valve Rod	1	35	17B-286-3	Cylinder	1	68	990-900-0	O-Ring (SNS-2)	2 ●
4	147-107-2	Valve Lever	1	36	18B-287-2	Rotor	1	69	992-020-0	SU Ring (Q12)	1 ●
5	851-306-1	Reverse Valve	1	37	18B-288-2	Blade	10 ■	70	17D-867-3	Front Casing Packing	1
6	851-359-1	Reverse Valve Bushing	1	38	17B-289-3	Front Plate	1	71	851-677-1	Sensor Casing Assembly (S02S)	1
7	173-212-0	Reverse Lever	1	39	131-036-5	Hammer Casing Connector	1	72	945-117-0	Allen Head Bolt (M5 x 16)	4
8	851-307-1	Reverse Valve Spacer	1	40	973-005-0	Roll Pin (2 x 5)	1	73	904-090-0	Extension Bar (3/8 x 45)	1
9	142-091-8	Air Inlet Bushing	1	41	973-008-0	Roll Pin (2 x 8)	2	74	953-104-0	Allen Head Screw (M4 x 4)	1
10	147-780-3	Exhaust Stack	1	42	981-045-0	Ball (1.5)	1	75	971-214-0	Pin (3 x 14)	1
11	147-042-2	Silencer	1	43	982-014-0	Ball Bearing (607)	1 ■	76	990-011-0	O-Ring (P-12)	1
12	145-835-8	Filter (K-100)	1 ■	44	982-902-0	Ball Bearing (6901)	1 ■	77	930-205-0	Driver Rivet	2
13	851-301-1	Connector	1	45	17B-901-3	Rear Liner Plate	1	78	909-918-0	Double-Row Socket	1
14	851-302-1	Cap	1	46	18B-902-2	Liner	1	79	911-017-0	Connector Cover	1
15	851-303-1	Stopper	2	47	137-319-4	Anvil	1	PARTS FOR UA-40MC			
16	131-395-8	Outer Ring	1	48	145-440-0	Driving Blade	2	80	17B-924-3	Metal Tag (UA40MC)	1
17	143-790-3	Suspension Ring	1	49	145-974-0	Roller (2.5 x 21)	2	PARTS FOR UA-40DMC			
18	17D-842-3	Handle Cover	1	50	18C-973-8	Liner Casing Spacer	1	81	851-678-1	Sensor Casing Assembly (S02D)	1
19	131-840-5	Casing Protector	1	51	145-904-6	Front Liner Plate	1	82	011-351-1	Bit Sleeve	1
20	948-422-0	Allen Flush Head Screw (M3 x 5)	2	52	17C-905-4	Liner Casing	1	83	011-352-1	Bit Spacer	1
21	952-008-0	Allen Head Screw (M3 x 8)	1	53	145-906-6	Liner Casing Cover	1	84	976-327-0	Spring (13.5 x 11)	1
22	965-011-0	Heli-Sert (M5 x 1.5D)	4	54	145-907-6	Relief Valve Spindle	1	85	978-117-0	Snap Ring (11.7 x 1)	1
23	971-130-0	Pin (2 x 30)	1	55	17C-970-4	Relief Valve	1	86	981-002-0	Ball (1/8)	1
24	973-014-0	Roll Pin (2 x 14)	1	56	080-274-6	Pressure Valve Spring Collar	1	87	17B-924-1	Metal Tag (UA40DMC)	1
25	976-006-0	Spring (3 x 5)	1	57	17C-276-4	Pressure Valve Body	1	ACCESSORIES			
26	976-457-0	Spring (7 x 12)	1	58	194-742-0	Oil Plug	1	88	911-061-0	Joint Cable Assembly	1
27	979-405-0	Outer Snap Ring (E2.5)	1	59	944-212-0	Back-up Ring (12 x 16 x 1.5)	1 ●	89	939-090-0	Allen Wrench (1.5)	1
28	981-002-0	Ball (1/8)	1	60	970-013-0	Pin (H) (1.5 x 4)	1	92	909-749-0	Solenoid Valve Assembly	1
29	990-306-0	O-Ring (APR-569-004)	1	61	970-130-0	Pin (H) (2.45 x 4.5)	2	93	910-263-0	Sensor Cable Assembly (3F5)	1
30	990-337-0	O-Ring (JW1530-27)	2 ■	62	970-131-0	Pin (H) (2.45 x 9.5)	2	94	910-633-0	Connector Cover	1
31	990-912-0	O-Ring (SNS-14)	1	63	973-040-0	Roll Pin (1.5 x 5)	2				
32	990-914-0	O-Ring (SNS-16)	1	64	976-791-0	Spring (3.3 x 21) WPC	2 ●				
				65	976-778-0	Spring (3 x 12.1)	1 ●				



10000 SE PINE
PORTLAND, OR 97216
503-254-6600
FAX 503-255-2615

When ordering spare parts, please specify
tool type, part number, and description.

FOOTNOTES

- = Items in Pulse Repair Kit UA-40MC-PRK
- = Items in Repair Kit UA-40MC-RK