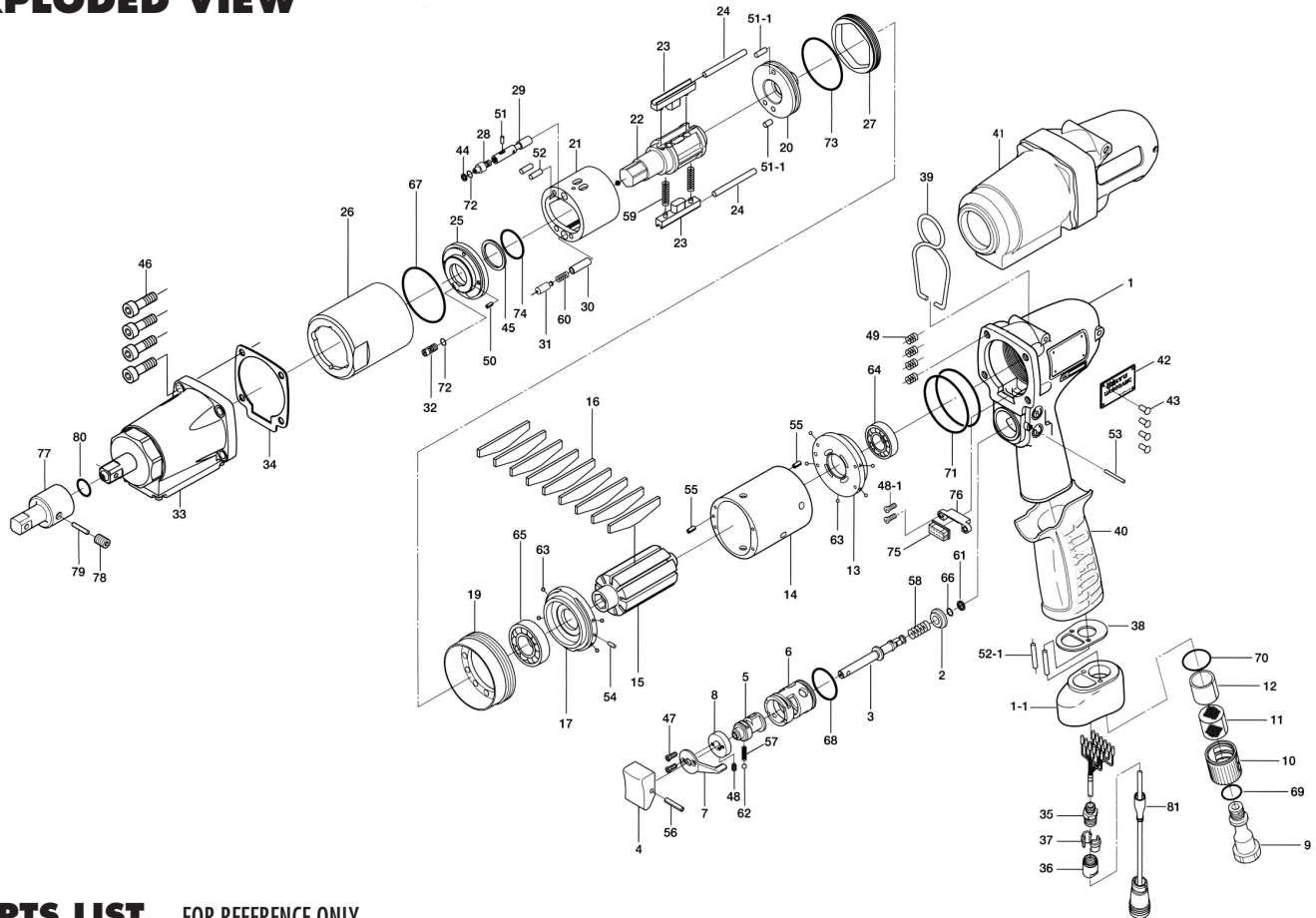


UA-700AMC OIL-PULSE WRENCHES

EXPLODED VIEW



PARTS LIST — FOR REFERENCE ONLY

Index Number	Part Number	Description	Qty.	Index Number	Part Number	Description	Qty.	Index Number	Part Number	Description	Qty.
1	852-717-1	Handle	1	31	080-276-6	Pressure Valve Body	1	58	976-457-0	Spring (7 x 12)	1
1-1	17G-035-3	Handle Connector	1	32	194-742-0	Oil Plug	1	59	976-788-0	Spring (3.5 x 25)	2
2	147-100-3	Valve	1	33	17G-975-3	Sensor Casing Assembly (S04SR)	1	60	976-755-0	Spring (3 x 13.3)	1
3	147-104-2	Valve Rod	1	34	17G-867-5	Front Casing Packing	1	61	979-405-0	Outer Snap Ring (E2.5)	1
4	147-107-2	Valve Lever	1	35	149-079-2	Connector	1	62	981-002-0	Ball (1/8)	1
5	851-306-1	Reverse Valve	1	36	149-018-2	Cap	1	63	981-045-0	Ball (1/5)	8
6	851-359-1	Reverse Valve Bushing	1	37	149-562-2	Stopper	2	64	982-014-0	Ball Bearing (607)	1
7	173-212-0	Reverse Lever	1	38	17G-850-3	Handle Packing	1	65	982-902-0	Ball Bearing (6901)	1
8	17E-213-5	Reverse Valve Spacer	1	39	174-790-0	Suspension Ring	1	66	990-306-0	O-Ring (APR-568-004)	1
9	17G-091-3	Air Inlet Bushing	1	40	17D-842-3	Handle Cover	1	67	990-334-0	O-Ring (JW-1530-24)	1
10	147-780-3	Exhaust Stack	1	41	852-884-1	Handle Protector (Ro10)	1	68	990-912-0	O-Ring (SNS-14)	1
11	147-042-2	Silencer	1	42	17G-924-3	Metal Tag (UA700AMC)	1	69	990-914-0	O-Ring (SNS-16)	1
12	147-835-3	Filter (K200)	1	43	930-205-0	Driver Rivet	4	70	990-916-0	O-Ring (SNS-18)	1
13	143-285-8	Rear Plate	1	44	944-203-0	Back-up Ring (3.1 x 5 x 1)	1	71	990-929-0	O-Ring (SNS-36)	2
14	143-286-8	Cylinder	1	45	944-213-0	Back-up Ring (12 x 16 x 1.0)	1	72	990-970-0	O-Ring (SNS-2)	2
15	143-287-8	Rotor	1	46	945-117-0	Allen Head Bolt (M5 x 16)	4	73	990-923-0	O-Ring (SNS-26)	1
16	147-288-6	Blade	9	47	948-422-0	Allen Flush Head Screw (M3 x 5)	2	74	992-020-0	SU-Ring (Q12)	1
17	143-289-8	Front Plate	1	48	952-008-0	Allen Head Dog Screw (M3 x 8)	1	75	910-335-0	Double-Row Socket	1
19	17G-036-3	Hammer Casing Connector	1	48-1	957-256-0	Cross Flush Head Screw (M2 x 5)	2	76	911-019-0	Connector Cover	1
20	17E-901-0	Rear liner Plate	1	49	965-011-0	Heli-sert (M5 x 1.5D)	4	77	904-090-0	Extension Bar	1
21	18E-902-3	Liner	1	50	969-449-0	Pin (G)(3 x 6)	1	78	953-104-0	Allen Head Screw (M4 x 4)	1
22	851-982-1	Anvil	1	51	970-013-0	Pin (H)(1.5 x 4)	1	79	971-214-0	Pin (3 x 14)	1
23	147-440-6	Driving Blade	2	51-1	970-202-0	Pin (H)(3 x 4.5)	2	80	990-011-0	O-Ring (P-12)	1
24	147-974-6	Roller (2.5 x 28)	2	52	970-204-0	Pin (H)(3 x 6)	2	81	911-063-0	Joint Cable Assembly	1
25	18E-904-3	Front Liner Plate	1	52-1	970-206-0	Pin (H)(3 x 8)	2				
26	17E-905-0	Liner Casing	1	53	971-126-0	Pin (2 x 26)	1	ACCESSORIES			
27	147-906-6	Liner Casing Cover	1	54	971-102-0	Pin (2 x 6)	1	82	939-091-0	Allen Wrench (1.5)	1
28	174-907-2	Relief Valve Spindle	1	55	973-008-0	Roll Pin (2 x 8)	2	85	910-263-0	Sensor Cable Assembly (3F5)	1
29	17E-970-0	Relief Valve	1	56	973-014-0	Roll Pin (2 x 14)	1	86	911-023-0	Encoder Cable Assembly	1
30	18F-274-2	Pressure Valve Spring Collar	1	57	976-006-0	Spring (3 x 5)	1	87	909-749-0	Solenoid Valve Assembly	1

FOOTNOTES



10000 SE PINE
PORTLAND, OR 97216
503-254-6600
FAX 503-255-2615

When ordering spare parts, please specify tool type, part number, and description.