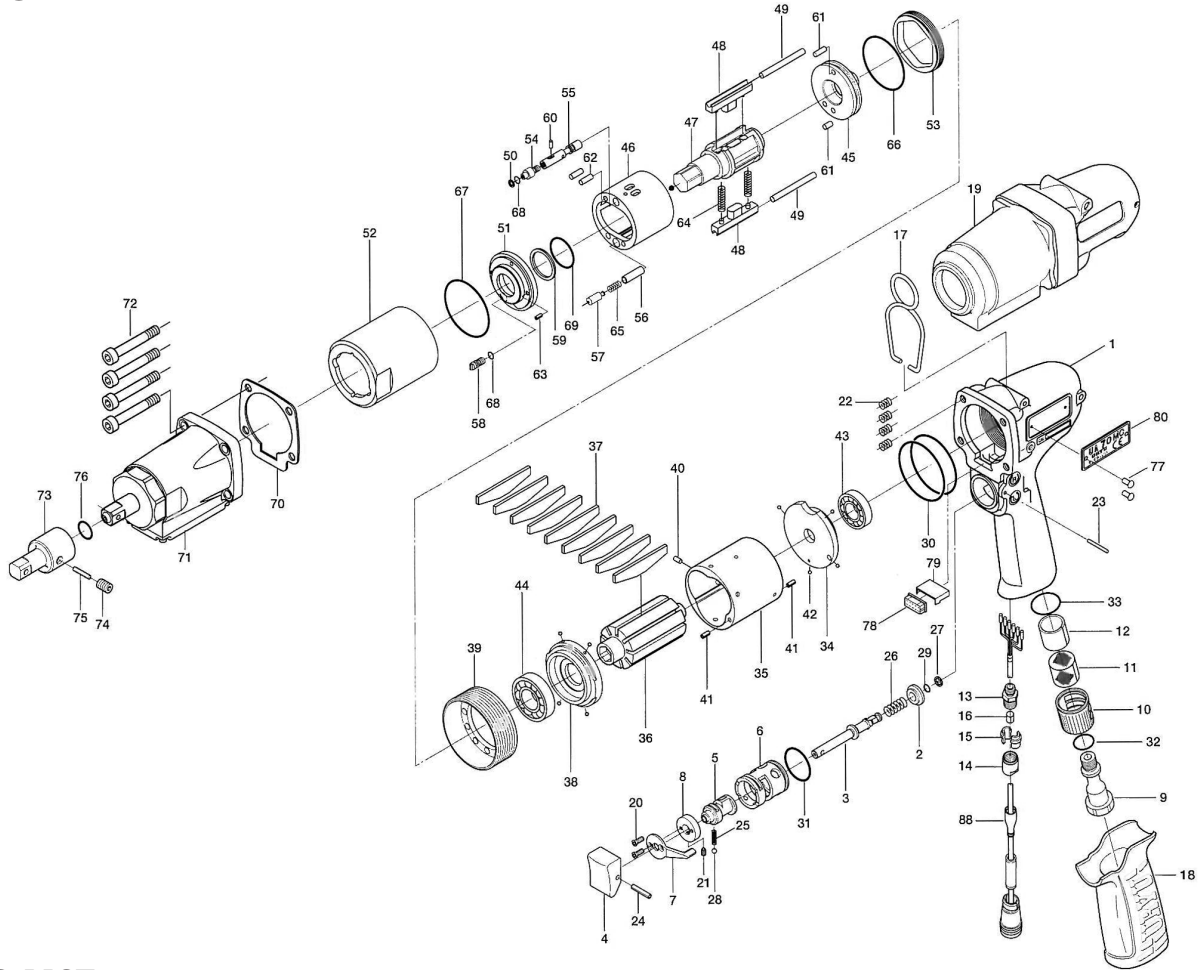


UA-70MC OIL-PULSE WRENCHES

EXPLODED VIEW



PARTS LIST — FOR REFERENCE ONLY

Index Number	Part Number	Description	Qty.	Index Number	Part Number	Description	Qty.	Index Number	Part Number	Description	Qty.
1	17E-025-0	Handle	1	30	990-929-0	O-Ring (SNS-36)	2	59	944-013-0	Back-up Ring (P-12)	1 ●
2	147-100-3	Valve	1	31	990-912-0	O-Ring (SNS-14)	1	60	970-013-0	Pin (H) (1.5 x 4)	1
3	147-104-2	Valve Rod	1	32	990-914-0	O-Ring (SNS-16)	1	61	970-202-0	Pin (H) (3 x 4.5)	2
4	147-107-2	Valve Lever	1	33	990-916-0	O-Ring (SNS-18)	1	62	970-204-0	Pin (H) (3 x 6)	2
5	851-306-1	Reverse Valve	1	34	143-285-8	Rear Plate	1	63	969-449-0	Pin (G) (3 x 6)	1
6	851-359-1	Reverse Valve Bushing	1	35	143-286-8	Cylinder	1	64	976-788-0	Spring (3.5 x 25) WPC	2 ●
7	173-212-0	Reverse Lever	1	36	143-287-8	Rotor	1	65	976-755-0	Spring (3 x 13.3)	1 ●
8	851-307-1	Reverse Valve Spacer	1	37	147-288-6	Blade	9	66	990-923-0	O-Ring (SNS-26)	1 ●
9	147-091-2	Air Inlet Bushing	1	38	143-289-8	Front Plate	1	67	990-334-0	O-Ring (JW1530-24)	1 ●
10	147-780-3	Exhaust Stack	1	39	143-036-8	Hammer Casing Connector	1	68	990-900-0	O-Ring (SNS-2)	1 ●
11	147-042-2	Silencer	1	40	971-102-0	Pin (2 x 3.8)	1	69	992-020-0	SU Ring (Q12)	1 ●
12	147-835-3	Filter (K200)	1	41	973-008-0	Roll Pin (2 x 8)	2	70	131-867-7	Front Casing Packing	1
13	851-301-1	Connector	1	42	981-045-0	Ball (1.5)	8	71	851-698-1	Sensor Casing Assembly (S06SU)	1
14	851-302-1	Cap	1	43	982-014-0	Ball Bearing (607)	1	72	945-117-0	Allen Head Bolt (M5 x 16)	4
15	851-303-1	Stopper	2	44	982-902-0	Ball Bearing (6901)	1	73	904-090-0	Extension Bar (3/8 x 45)	1
16	131-395-8	Outer Ring	1	45	17E-901-0	Rear Liner Plate	1	74	953-104-0	Allen Head Screw (M4 x 4)	1
17	174-790-0	Suspension Ring	1	46	18E-902-3	Liner	1	75	971-214-0	Pin (3 x 14)	1
18	17D-842-3	Handle Cover	1	47	851-982-1	Anvil	1	76	990-011-0	O-Ring (P-12)	1
19	17E-840-0	Handle Protector (Ro10)	1	48	147-440-6	Driving Blade	2	77	930-205-0	Driver Rivet	2
20	948-422-0	Allen Flush Head Screw (M3 x 5)	2	49	147-974-6	Roller (2.5 x 28)	2	78	909-918-0	Double-Row Socket	1
21	952-008-0	Allen Head Screw (M3 x 8)	1	50	944-203-0	Back-up Ring (3.1 x 5 x 1)	1 ●	79	911-017-0	Connector Cover	1
22	965-011-0	Heli-Sert (M5 x 1.5D)	4	51	18E-904-3	Front Liner Plate	1	80	17E-924-0	Metal Tag (UA70MC)	1
23	971-130-0	Pin (2 x 30)	1	52	17E-905-0	Liner Casing	1				
24	973-014-0	Roll Pin (2 x 14)	1	53	147-906-6	Liner Casing Cover	1				
25	976-006-0	Spring (3 x 5)	1	54	174-907-2	Relief Valve Spindle	1				
26	976-457-0	Spring (7 x 12)	1	55	17E-970-0	Relief Valve	1				
27	979-405-0	Outer Snap Ring (E2.5)	1	56	18E-274-2	Pressure Valve Spring Collar	1				
28	981-002-0	Ball (1/8)	1	57	080-276-6	Pressure Valve Body	1				
29	990-306-0	O-Ring (APR-569-004)	1	58	194-742-0	Oil Plug	1				

ACCESSORIES

88	911-061-0	Joint Cable Assembly	1
89	939-091-0	Allen Wrench (1.5)	1
92	909-749-0	Solenoid Valve Assembly	1
93	910-263-0	Sensor Cable Assembly (3F5)	1
94	910-633-0	Connector Cover	1

FOOTNOTES

● = Items in Pulse Repair Kit UA-70MC-PRK



10000 SE PINE
 PORTLAND, OR 97216
 503-254-6600
 FAX 503-255-2615

When ordering spare parts, please specify
 tool type, part number, and description.