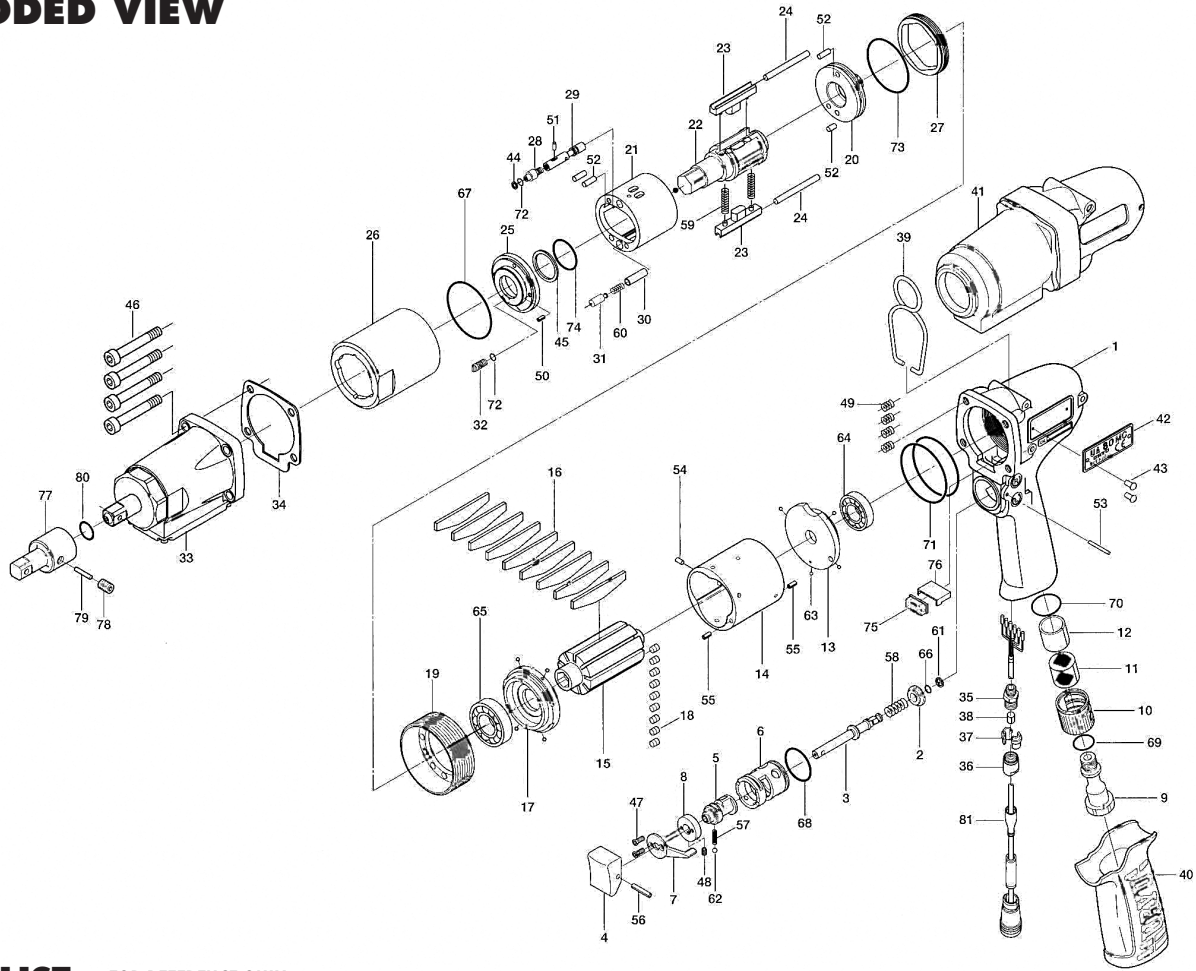


# UA-80MC OIL-PULSE WRENCHES

## EXPLODED VIEW



## PARTS LIST — FOR REFERENCE ONLY

Index Number	Part Number	Description	Qty.	Index Number	Part Number	Description	Qty.	Index Number	Part Number	Description	Qty.
1	17E-025-6	Handle	1	30	18F-274-2	Pressure Valve Spring Collar	1	57	976-006-0	Spring (3 x 5)	1
2	147-100-3	Valve	1	31	17E-276-5	Pressure Valve Body	1	58	976-457-0	Spring (7 x 12)	1
3	147-104-2	Valve Rod	1	32	194-742-0	Oil Plug	1	59	976-811-0	Spring (3.7 x 31)	2
4	147-107-2	Valve Lever	1	33	851-699-1	Sensor Casing Assembly (S06SU8)	1	60	976-755-0	Spring (3 x 13.3)	1
5	851-306-1	Reverse Valve	1	34	17E-867-5	Front Casing Packing	1	61	979-405-0	Outer Snap Ring (E2.5)	1
6	851-359-1	Reverse Valve Bushing 1	1	35	851-301-1	Connector	1	62	981-002-0	Ball (1/8)	1
7	173-212-0	Reverse Lever	1	36	851-302-1	Cap	1	63	981-045-0	Ball (1/5)	8
8	17E-213-5	Reverse Valve Spacer 1	1	37	851-303-1	Stopper	2	64	982-902-0	Ball Bearing (6901)	1
9	147-091-2	Air Inlet Bushing	1	38	131-395-8	Outer Ring	1	65	982-903-0	Ball Bearing (6902)	1
10	147-780-3	Exhaust Stack	1	39	174-790-0	Suspension Ring	1	66	990-306-0	O-Ring (APR-568-004)	1
11	147-042-2	Silencer	1	40	17D-842-3	Handle Cover	1	67	990-335-0	O-Ring (JW-1530-25)	1
12	145-835-6	Filter (K50)	1	41	131-840-8	Casing Protector	1	68	990-912-0	O-Ring (SNS-14)	1
13	117-285-2	Rear Plate	1	42	17E-924-5	Metal Tag (UA80MC)	1	69	990-914-0	O-Ring (SNS-16)	1
14	117-286-2	Cylinder	1	43	930-205-0	Driver Rivet	2	70	990-916-0	O-Ring (SNS-18)	1
15	115-287-3	Rotor	1	44	944-203-0	Back-up Ring (3.1 x 5 x 1)	1	71	990-930-0	O-Ring (SNS-40)	2
16	115-288-3	Blade	9	45	944-212-0	Back-up Ring (12 x 16 x 1.5)	1	72	990-970-0	O-Ring (SNS-2)	2
17	115-289-3	Front Plate	1	46	945-117-0	Allen Head Bolt (M5 x 16)	4	73	990-981-0	O-Ring (SNS-29)	1
18	147-064-6	Plug	9	47	948-422-0	Allen Flush Head Screw (M3 x 5)	2	74	992-020-0	SU-Ring (Q12)	1
19	115-036-3	Hammer Casing Connector	1	48	952-008-0	Allen Head Dog Point Screw (M3 x 8)	1	75	909-918-0	Double-Row Socket Connector Cover	1
20	17E-901-5	Rear Liner Plate	1	49	965-011-0	Heli-vert (M5 x 1.5D)	4	76	911-017-0	Connector Cover	1
21	18F-902-2	Liner	1	50	969-449-0	Pin (G)(3 x 8)	1	77	904-090-0	Extension Bar	1
22	17E-319-5	Anvil	1	51	970-013-0	Pin (H)(1.5 x 4)	1	78	953-104-0	Allen Head Screw (M4 x 4)	1
23	115-440-3	Driving Blade	2	52	970-204-0	Pin (H)(3 x 6)	4	79	971-214-0	Pin (3 x 14)	1
24	147-974-8	Roller (2.5 x 30)	2	53	971-126-0	Pin (2 x 26)	1	80	990-011-0	O-Ring (P-12)	1
25	18F-904-2	Front Liner Plate	1	54	973-006-0	Roll Pin (2 x 6)	1	81	911-061-0	Joint Cable Assembly	1
26	115-905-3	Liner Casing	1	55	973-008-0	Roll Pin (2 x 8)	2	82	939-091-0	Allen Wrench (1.5)	1
27	115-906-3	Liner Casing Cover	1	56	973-014-0	Roll Pin (2 x 14)	1	84	909-749-0	Solenoid Valve Assembly	1
28	174-907-2	Relief Valve Spindle	1					85	910-263-0	Sensor Cable Assembly (3F5)	1
29	17E-970-5	Relief Valve	1								

## FOOTNOTES



10000 SE PINE  
PORTLAND, OR 97216  
503-254-6600  
FAX 503-255-2615

When ordering spare parts, please specify  
tool type, part number, and description.