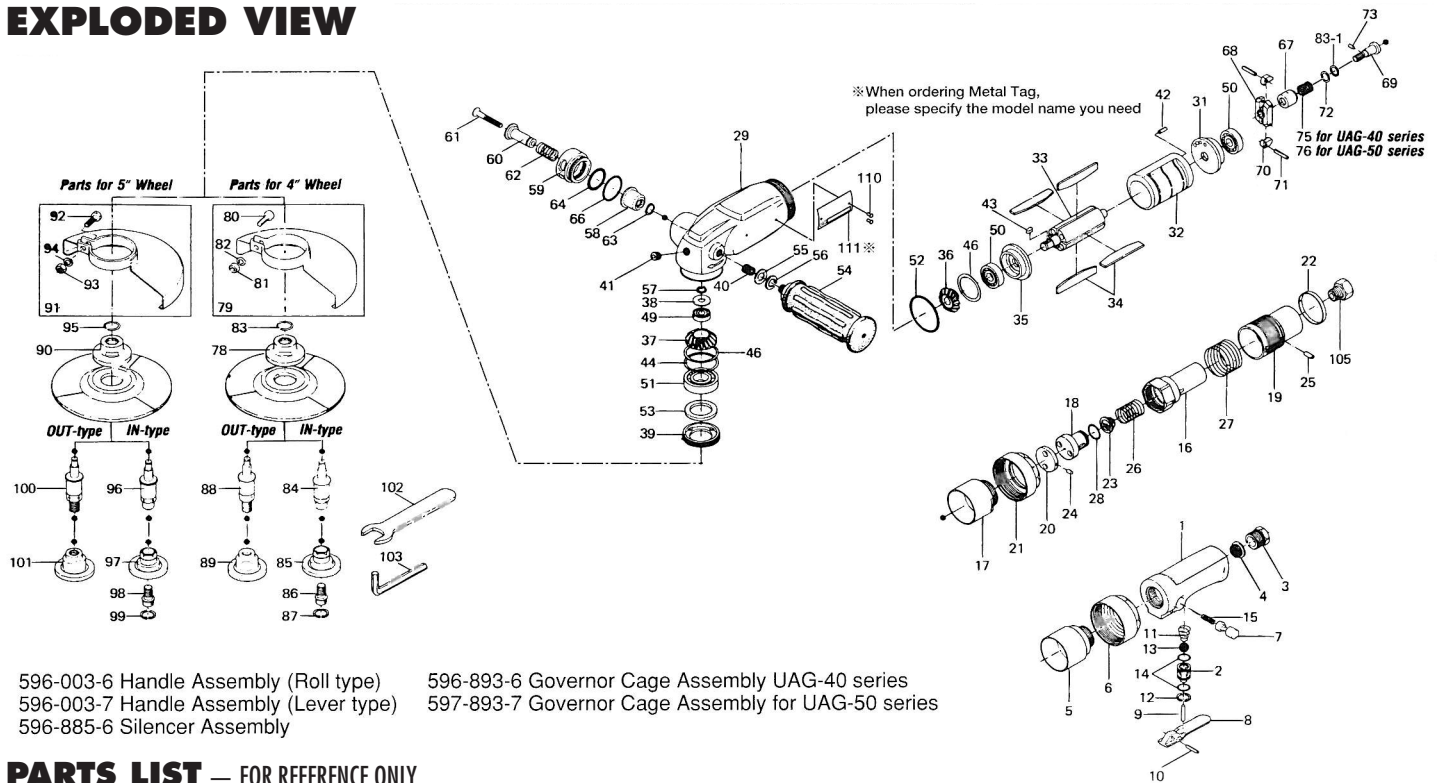


UAG-40 SERIES & UAG-50 SERIES AIR GRINDERS

EXPLODED VIEW



596-003-6 Handle Assembly (Roll type)
 596-003-7 Handle Assembly (Lever type)
 596-885-6 Silencer Assembly

596-893-6 Governor Cage Assembly UAG-40 series
 597-893-7 Governor Cage Assembly for UAG-50 series

PARTS LIST — FOR REFERENCE ONLY

Index Number	Part Number	Description	Qty.
596-003-7 HANDLE ASSEMBLY (LEVER TYPE)			
1	596-014-7	Handle (Lever Type)	1
2	591-101-7	Valve Bushing	1
3	554-091-7	Air Inlet Bushing	1
4	554-835-7	Filter	1
5	596-729-7	Valve Body Connector	1
6	596-736-8	Valve Body Nut	1
7	585-765-1	Locking Button	1
8	593-107-3	Valve Lever	1
9	970-322-0	Pin (H) (4 x 22)	1
10	973-170-0	Roll Pin (3.5 x 20)	1
11	977-260-0	Cone Spring (10 x 16 x 16)	1
12	979-011-0	Inner Snap Ring (18)	1
13	981-214-0	Ball (1/2)	1
14	990-913-0	O-Ring (SNS-15)	2
15	976-114-0	Spring (6 x 18)	1

596-003-6 HANDLE ASSEMBLY (ROLL TYPE)			
16	596-014-6	Valve Body	1
17	596-729-6	Valve Body Connector	1
18	596-100-6	Valve	1
19	596-015-6	Valve Handle	1
20	596-102-6	Valve Bushing	1
21	596-736-7	Valve Body Nut	1
22	596-670-6	Band	1
23	554-835-7	Filter	1
24	970-204-0	Pin (H) (3 x 6)	1
25	972-111-0	Roller Pin (4 x 11)	1
26	976-440-0	Spring (18 x 25)	1
27	976-724-0	Spring (34 x 20)	1
28	990-912-0	O-Ring (SNS-14)	1

COMMON PARTS			
29	596-025-8	Casing	1
31	596-285-6	Rear Plate	1
32	596-286-6	Cylinder	1
33	596-287-6	Rotor	1
34	596-288-6	Blade	4
35	596-289-7	Front Plate	1
36	596-420-6	Driving Gear	1
37	596-430-6	Driven Gear	1
38	596-013-6	Casing Rear Cover	1
39	596-065-6	Casing Front Cover	1

40	965-058-0	Heli-Sert (M12 x 1D)	1
41	966-100-0	Allen Head Plug (1/8)	1
42	973-110-0	Roll Pin (3 x 10)	1
43	974-008-0	Key (3 x 8)	1
44	975-268-0	Spacer (35 x 31 x 0.5)	1
46	975-835-0	Adjusting Spacer (35 x 31 x t)	2
49	982-013-0	Ball Bearing (606)	1
50	982-054-0	Ball Bearing (629Z)	2
51	982-242-0	Ball Bearing (6202Z)	1
52	990-930-0	O-Ring (SNS-40)	1
53	993-913-0	Felt Ring (22 x 32 x 4)	1
54	566-720-2	Dead Handle	1
55	975-127-0	Spacert (20 x 13 x 1)	1
56	962-013-0	Spring Washer (2-12S)	1
57	979-103-0	Outer Snap Ring (6)	1
110	930-205-0	Driver Rivet	2
111	596-924-3	Metal Tag for UAG-40SBL-136	1

596-885-6 SILENCER ASSEMBLY			
58	596-782-6	Exhaust Deflector	1
59	596-780-7	Exhaust Stack	1
60	596-787-7	Exhaust Retainer	1
61	948-535-0	Allen Head Screw (M5 x 35)	1
62	976-307-0	Spring (12.1 x 8)	1
63	979-107-0	Outer Snap Ring (10)	1
64	990-020-0	O-Ring (P-22)	1
66	990-920-0	O-Ring (SNS-25)	1

GOVERNOR PARTS IN COMMON			
67	596-170-7	Governor Valve	1
68	596-181-6	Governor Cage	1
69	596-176-7	Governor Spindle	1
70	596-183-6	Governor Weight	2
71	973-118-0	Roll Pin (3 x 18)	2
72	975-729-0	Adjusting Spacer (11.4 x 8.1 x t)	1
73	970-130-0	Pin (H) (2.45 x 4.5)	1

For UAG-40 Series (13,600 rpm)			
75	976-282-0	Spring (11.5 x 11)	1

For UAG-50 Series (10,900 rpm)			
76	976-281-0	Spring (11.5 x 12)	1

PARTS FOR 4" WHEEL IN COMMON			
78	596-393-3	Wheel Holder Flange (5/8)	1
79	596-759-7	Wheel Guard	1
80	946-899-0	Hexagon Head Bolt (M5 x 18)	1
81	960-037-0	Hexagon Nut (1-M5)	1
82	962-008-0	Spring Washer (2-5S)	1
83	978-159-0	Snap Ring (16 x 1)	1
83-1	975-056-0	Spacer (11.4 x 8.1 x 1.5)	1
In Type			
84	596-390-6	Wheel Spindle	1
85	596-394-7	Wheel Nut Flange (5/8")	1
86	945-990-0	Hexagon Socket Flange Head Bolt (M8 x 18)	1
87	979-314-0	Inner Snap Ring (IRTW-14)	1
Out Type			
88	596-390-3	Wheel Spindle	1
89	596-394-3	Wheel Nut Flange (5/8")	1

PARTS FOR 5" WHEEL IN COMMON			
90	597-393-7	Wheel Holder Flange	1
91	597-759-8	Wheel Guard	1
92	946-900-0	Hexagon Head Bolt (M5 x 18)	1
93	960-037-0	Hexagon Nut (1-M5)	1
94	962-008-0	Spring Washer (2-5S)	1
95	978-159-0	Snap Ring (16 x 1)	1

In Type			
96	596-390-6	Wheel Spindle	1
97	597-394-8	Wheel Nut Flange (7/8")	1
98	945-990-0	Hexagon Socket Flange Head Bolt (M8 x 18)	1
99	979-314-0	Inner Snap Ring (IRTW-14)	1

Out Type			
100	596-390-3	Wheel Spindle	1
101	597-394-3	Wheel Nut Flange	1
102	936-000-0	Spanner (19 x 4 x 120)	1
103	939-007-0	Allen Wrench (6 mm)	1
105	942-114-0	Connecting Screw (1/4 x NPT1/4)	1

FOOTNOTES

● = Items in Pulse Repair Kit UAG-40SBL-RK

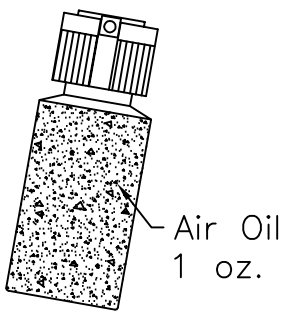
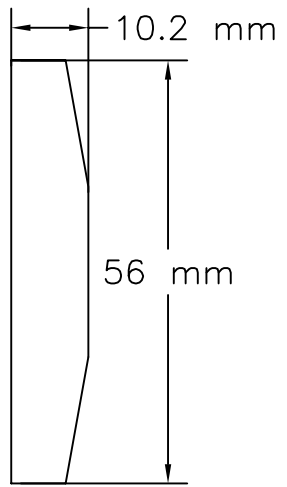
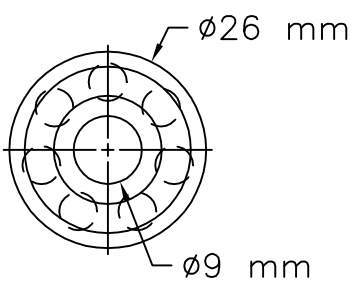


10000 SE PINE
 PORTLAND, OR 97216
 503-254-6600
 FAX 503-255-2615

When ordering spare parts, please specify
 tool type, part number, and description.

UAG-40SBL-RK

(Kit contains following parts)

#/#	Bin Location	Part Number	QTY	Description	Material	Drawing / Scketch
1	SEWALL	AM-OIL	1	Oil Air Motor 1 oz. fluid	Plastic Container	
2	PA2C	596-288-6	4	Blade 10.2x56x1.85	Phenolic-Fiber	
3	PA2H	982-054-0	2	Ball Bearing(629Z) 9x26x8	Bearing Steel	
4	PA1B	990-930-0	1	O-Ring (SNS-40) 40x44x2	Buna-Black	