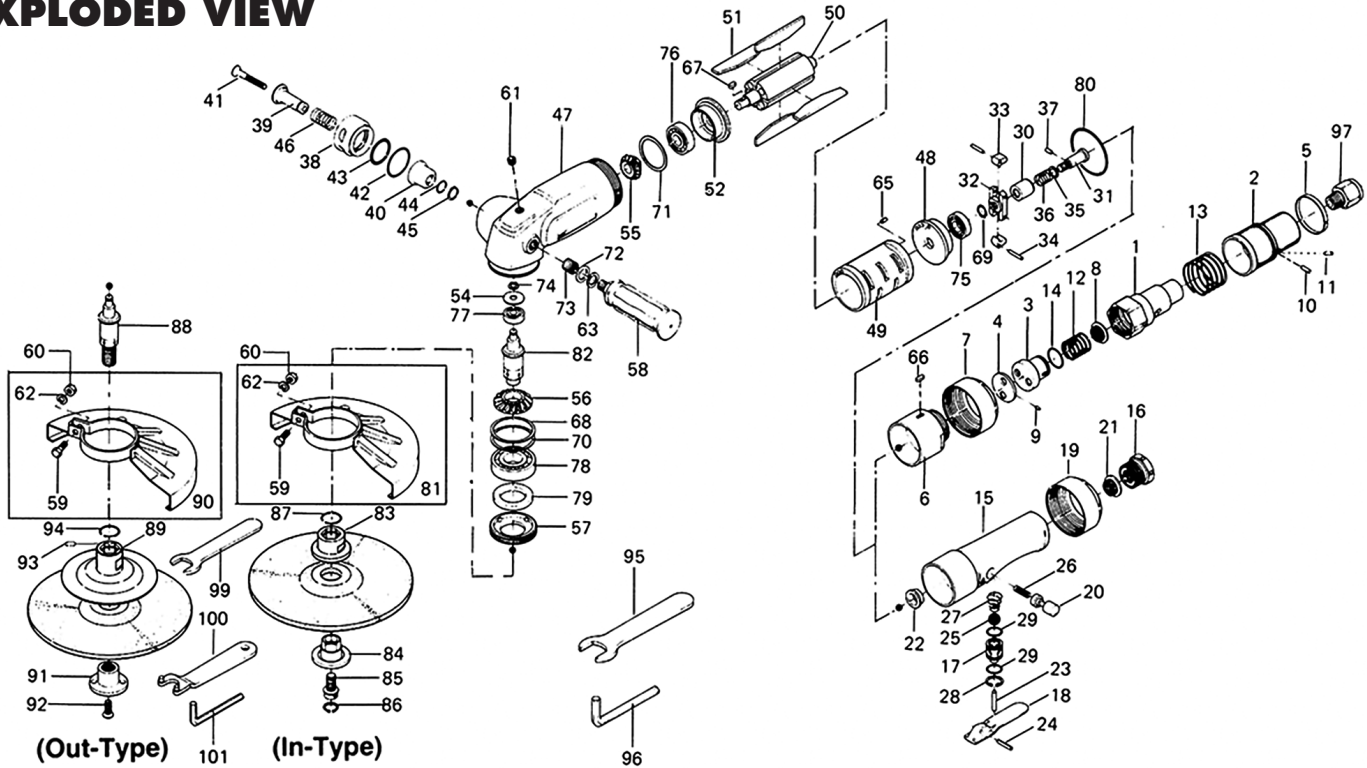


UAG-70 SERIES AIR GRINDER

EXPLODED VIEW



PARTS LIST — FOR REFERENCE ONLY

Index Number	Part Number	Description	Qty.
591-003-6 HANDLE ASSEMBLY (ROLL TYPE)			
1	591-014-6	Valve Body	1
2	591-015-6	Valve Handle	1
3	591-100-6	Valve	1
4	591-102-6	Valve Seat	1
5	591-670-6	Band	1
6	591-729-6	Handle Body Connector	1
7	591-736-7	Valve Body Nut	1
8	573-835-9	Filter	1
9	970-204-0	Pin (H) (3 x 6)	1
10	972-108-0	Roller Pin (4 x 8)	1
11	973-008-0	Roll Pin (2 x 8)	1
12	976-533-0	Spring (23 x 20)	1
13	976-736-0	Spring (40.5 x 25)	1
14	990-919-0	O-Ring (SNS-22)	1
591-003-7 HANDLE ASSEMBLY (LEVER TYPE)			
15	591-014-7	Handle (Lever Type)	1
16	519-091-6	Air Inlet Bushing	1
17	591-101-8	Valve Bushing	1
18	593-107-3	Valve Lever	1
19	591-736-7	Valve Body Nut	1
20	585-765-1	Safety Pin	1
21	573-835-9	Filter	1
23	970-322-0	Pin (H) (4 x 23)	1
24	973-174-0	Roller Pin (3.5 x 24)	1
25	981-214-0	Ball (1/2)	1
26	976-114-0	Spring (6 x 18)	1
27	977-260-0	Cone Spring (10 x 16 x 16)	1
28	979-011-0	Inner Snap Ring (18)	1
29	990-913-0	O-Ring (SNS-15)	2
591-893-6 GOVERNOR CAGE ASSEMBLY			
30	591-170-8	Governor Valve	1
31	591-176-7	Governor Spindle	1
32	591-181-7	Governor Cage	1
33	591-183-6	Governor Weight	2
34	973-120-0	Roll Pin (3 x 20)	2
35	975-728-0	Adjusting Spacer (13 x 10 x T)	1

Index Number	Part Number	Description	Qty.
36	976-340-0	Spring (13.3 x 19)	1
37	970-205-0	Pin (H) (3 x 7)	1
591-885-6 SILENCER ASSEMBLY			
38	591-780-7	Exhaust Stack	1
39	591-787-7	Exhaust Cover Retainer	1
40	591-782-6	Exhaust Cover	1
41	948-568-0	Allen Flush Head Bolt (M6 x 45)	1
42	990-927-0	O-Ring (SNS-34)	1
43	990-503-0	O-Ring (G-30)	1
44	990-911-0	O-Ring (SNS-12)	1
45	979-109-0	Outer Snap Ring (12)	1
46	976-358-0	Spring (14.4 x 26)	1
22	591-171-7	Governor Valve Bushing	1
47	591-025-7	Casing	1
48	591-285-6	Cylinder Rear Plate	1
49	591-286-6	Cylinder	1
50	591-287-6	Rotor	1
51	591-288-6	Blade	4
52	591-289-7	Front Plate	1
54	537-391-0	Wheel Spindle Rear Cover	1
55	591-420-8	Driving Gear	1
56	591-430-8	Driven Gear	1
57	591-065-6	Casing Front Cover	1
58	566-720-2	Dead Handle	1
59	946-905-0	Hexagon Head Bolt (M6 x 22)	2
60	960-041-0	Hexagon Head Nut (1-M6)	2
61	966-100-0	Allen Head Plug (1/8)	1
62	962-009-0	Spring Washer (2-65)	2
63	962-013-0	Spring Washer (2-125)	1
65	973-108-0	Roll Pin (3 x 8)	1
66	974-001-0	Key (3 x 2.5 x 11)	1
67	974-008-0	Key (3 x 8)	1
68	975-376-0	Spacer (47 x 43 x 1)	1
69	975-027-0	Spacer (12 x 8.5 x 1)	1
70	975-881-0	Adjusting Spacer (47 x 43 x T)	1
71	975-868-0	Adjusting Spacer (43 x 38 x T)	1
72	975-095-0	Spacer (18 x 13 x 1)	1

Index Number	Part Number	Description	Qty.
73	965-058-0	Heli-Sert (M12 x 1)	1
74	979-104-0	Outer Snap Ring (7)	1
75	982-141-0	Ball Bearing (6001Z)	1
76	982-241-0	Ball Bearing (6201Z)	1
77	982-022-0	Ball Bearing (627)	1
78	982-244-0	Ball Bearing (6204Z)	1
79	993-040-0	Felt Ring (28 x 42 x 5)	1
80	990-939-0	O-Ring (SNS-50)	1
PARTS FOR UAG-70 IN-TYPE			
81	591-759-7	Wheel Guard	1
82	591-390-6	Wheel Spindle (IN)	1
83	591-393-6	Wheel Holder Flange	1
84	591-394-6	Wheel Nut Flange	1
85	945-993-0	Hexagon Socket Flange Head Bolt (M10 x 18)	1
86	979-317-0	Inner Snap Ring (IRWT-17)	1
87	978-209-0	Snap Ring (21 x 1.2)	1
PARTS FOR UAG-70 OUT-TYPE			
88	591-390-3	Wheel Spindle (OUT)	1
89	564-393-4	Wheel Holder Flange	1
90	591-759-4	Wheel Guard	1
91	518-394-7	Wheel Nut Flange	1
92	948-453-0	Allen Head Screw (M6 x 18)	1
93	973-122-0	Roll Pin (3 x 22)	1
94	979-361-0	Inner Snap Ring (ISTW-20)	1
ACCESSORIES			
95	936-005-0	Spanner (24 x 5 x 195)	1
96	939-006-0	Allen Wrench (8 mm)	1
97	942-123-0	Connecting Screw (3/8 x NPT3/8)	1
99	936-524-0	Spanner (24)	1
100	938-057-0	Spanner (6 x 30 x 17)	1
101	939-105-0	Allen Wrench (4mm)	1



10000 SE PINE
PORTLAND, OR 97216
503-254-6600
FAX 503-255-2615

When ordering spare parts, please specify
tool type, part number, and description.

FOOTNOTES