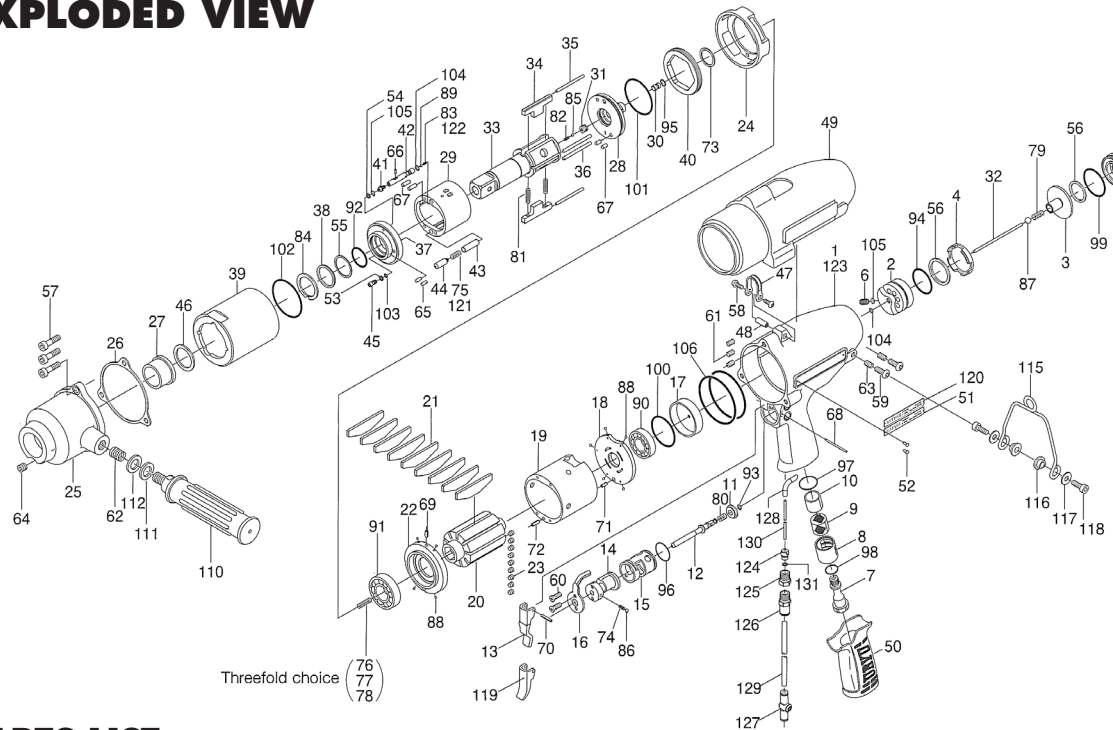


UAT-180 SERIES OIL-PULSE WRENCHES

EXPLODED VIEW



Maximum torque output is achieved with the torque adjuster turned clockwise until it stops and then turned back counter-clockwise half of a turn. Never turn the torque adjuster past this point in a low air pressure environment to try and achieve higher torque output.

PARTS LIST — FOR REFERENCE ONLY

Index Number	Part Number	Description	Qty.
1	128-025-2	Handle	1
2	128-253-2	Shut-off Valve Bushing	1
3	128-254-2	Shut-off Valve	1
4	128-684-2	Cushion Spacer	1
5	128-019-2	Valve Cover	1
6	128-108-2	Valve Plug	1
7	163-091-6	Air Inlet Bushing	1
8	163-780-6	Exhaust Stack	1
9	163-042-3	Silencer	1
10	163-835-5	Filter (K100)	1
11	130-100-2	Valve	1
12	130-104-2	Valve Rod	1
13	130-107-2	Valve Lever	1
14	130-210-2	Reverse Valve	1
15	130-211-2	Reverse Valve Bushing	1
16	128-212-2	Reverse Lever	1
17	128-291-2	Rear Plate Spacer	1
18	128-285-2	Rear Plate	1
19	128-286-2	Cylinder	1
20	128-287-2	Rotor	1
21	128-288-2	Blade	9
22	128-289-2	Front Plate	1
23	128-064-2	Plug	9
24	128-027-2	Separator	1
25	128-439-2	Front Casing	1
26	128-867-2	Front Casing Packing	1
27	195-328-7	Anvil Bushing	1
28	186-901-7	Rear Liner Plate	1
29	186-902-7	Liner	1
30	173-546-3	Piston	1
31	128-929-2	Check Valve Cover	1
32	128-130-2	Operating Rod (3 x 82.3)	1
33	128-319-2	Anvil	1
34	128-440-2	Driving Blade	2
35	128-974-2	Roller (3 x 45)	2
36	173-974-2	Roller (3.4 x 45)	2
37	186-904-7	Front Liner Plate	1
38	163-807-5	Spacer	1
39	128-905-2	Liner Casing	1
40	128-906-3	Liner Casing Cover	1
41	175-907-9	Relief Valve Spindle	1
42	186-970-7	Relief Valve	1
43	17F-274-7	Pressure Valve Spring Cover	1
44	186-276-7	Pressure Valve Body	1
45	194-742-3	Oil Plug	1
46	130-327-5	Anvil Front Spacer	1
47	136-790-7	Suspension Bail	1

Index Number	Part Number	Description	Qty.
48	136-791-7	Suspension Bail Base	1
49	128-840-2	Casing Protector	1
50	17F-842-7	Handle Cover	1
51	188-924-7	Name Plate	1
52	930-205-0	Drive Rivet No.0 x 2.6	2
53	944-003-0	Supporting Ring (3 x 5 x 1)	1
54	944-205-0	Supporting Ring (5.1 x 7 x 1)	1
55	944-225-0	Supporting Ring (25.2 x 29.4 x 1.5)	1
56	944-229-0	Supporting Ring (26 x 34 x 1.5)	2
57	945-218-0	Allen Head Bolt (M6 x 18)	3
58	945-941-0	Allen Head Button Bolt (M4 x 5)	2
59	945-949-0	Allen Head Button Bolt (M5 x 6)	2
60	948-423-0	Allen Flush Head Screw (M3 x 6)	2
61	965-021-0	Heli-ert (M6 x 1.5D)	3
62	965-058-0	Heli-ert (M12 x 1D)	1
63	965-010-0	Heli-ert (M5 x 1D)	2
64	966-099-0	Allen Head Plug (NPT 1/16)	1
65	969-485-0	Pin (D) (4 x 8)	2
66	970-093-0	Pin (H) (2 x 6)	1
67	970-308-0	Pin (H) (4 x 8)	4
68	971-130-0	Pin (2 x 30)	1
69	973-006-0	Roll Pin (2 x 6)	1
70	973-120-0	Roll Pin (3 x 20)	1
71	973-212-0	Roll Pin (4 x 12)	1
72	973-220-0	Roll Pin (4 x 20)	1
73	975-810-0	Adjusting Spacer (30 x 20 x T)	1
74	976-006-0	Spring (3 x 5) (0.4)	1
75	976-510-0	Spring (4.3 x 21.5) (0.7)	1
76	976-512-0	Spring (5.7 x 20.8) (0.5) (Strong) (Red)	1
77	976-513-0	Spring (5.7 x 22) (0.7) (Med)	1
78	976-514-0	Spring (5.7 x 22.1) (0.7) (Weak) (Blue)	1
79	976-806-0	Spring (5.2 x 20.5) (0.5) WPC	1
80	976-643-0	Spring (7.5 x 9.7) (0.9)	1
81	976-779-0	Spring (4.3 x 45.5) (0.6) WPC	2
82	976-884-0	Spring (2.4 x 5.4) (0.3)	1
83	977-059-0	Cone Spring (3.9 x 4.9 x 12.4) (0.7)	1
84	979-207-0	Snap Ring (30)	1
85	981-001-0	Ball (3/32)	1
86	981-002-0	Ball (1/8)	1
87	981-005-0	Ball (7/32)	1
88	981-045-0	Ball (1.5)	9
89	981-155-0	Ball (3.5)	1
90	982-103-0	Ball Bearing (6003)	1
91	982-906-0	Ball Bearing (6905)	1
92	990-170-0	O-Ring (ARPS568-120) (NTN)	1
93	990-306-0	O-Ring (ARPS568-004) (H)	1
94	990-335-0	O-Ring (JW1530-25)	1

Index Number	Part Number	Description	Qty.
95	990-891-0	O-Ring (SNS-3) (E)	1
96	990-916-0	O-Ring (SNS-18)	1
97	990-917-0	O-Ring (SNS-24)	1
98	990-919-0	O-Ring (SNS-22)	1
99	990-925-0	O-Ring (SNS-32)	1
100	990-929-0	O-Ring (SNS-36)	1
101	990-938-0	O-Ring (SNS-48)	1
102	990-939-0	O-Ring (SNS-50)	1
103	990-970-0	O-Ring (SNS-2) (NOK)	1
104	990-971-0	O-Ring (SNS-3) (NOK)	1
105	990-972-0	O-Ring (SNS-4) (NOK)	1
106	990-990-0	O-Ring (SNS-65)	2

PARTS FOR UAT-180L

120	186-924-8	Name Plate	1
121	976-511-0	Spring (4.3 x 21.5) (0.65)	1
122	977-051-0	Cone Spring (3.9 x 4.9 x 12.3) (0.65)	1

PARTS FOR UAT-180(TM) & UAT-180L(TM)

123	851-953-1	Handle	1
124	851-967-1	Plug	1
125	851-955-1	Connecting Screw	1
126	933-281-0	One-Touch Connector (K02H04-M5N)	1
127	909-442-0	Quick Exhaust (AQ240F-04-00)	1
128	935-240-0	Nylon Tube (18N)	1
129	935-350-0	Polyurethane Hose (F-1504)	1
130	935-358-0	Polyurethane Hose (TU-0212)	1
131	990-320-0	O-Ring (ARPS68-003)	1

ACCESSORIES

107	940-121-0	Air Hose Nipple (NPT 3/8 x 3/8)	1
108	939-109-0	Allen Wrench (2 mm)	1
109	939-105-0	Allen Wrench (4 mm)	1
110	566-720-2	Dead Handle (A)	1
111	962-013-0	Spring Washer (2-12S)	1
112	975-127-0	Spacer (20 x 13 x 1)	1
113	909-449-0	Speed Controller (AS1001F-04) for TM type	1
Optional Accessories			
114	851-106-1	Suspension Bail Assembly	1
115	851-107-1	Suspension Bail	2
116	193-791-6	Suspension Receiver	2
117	193-792-6	Suspension Plate	1
118	945-112-0	Allen Head Bolt (M5 x 12)	1
119	130-107-4	Valve lever (Short)	1

FOOTNOTES

- = Items in Repair Kit UAT-180-RK
- = Items in Pulse Repair Kit UAT-180-PRK



10000 SE PINE
PORTLAND, OR 97216
503-254-6600
FAX 503-255-2615

When ordering spare parts, please specify tool type, part number, and description.