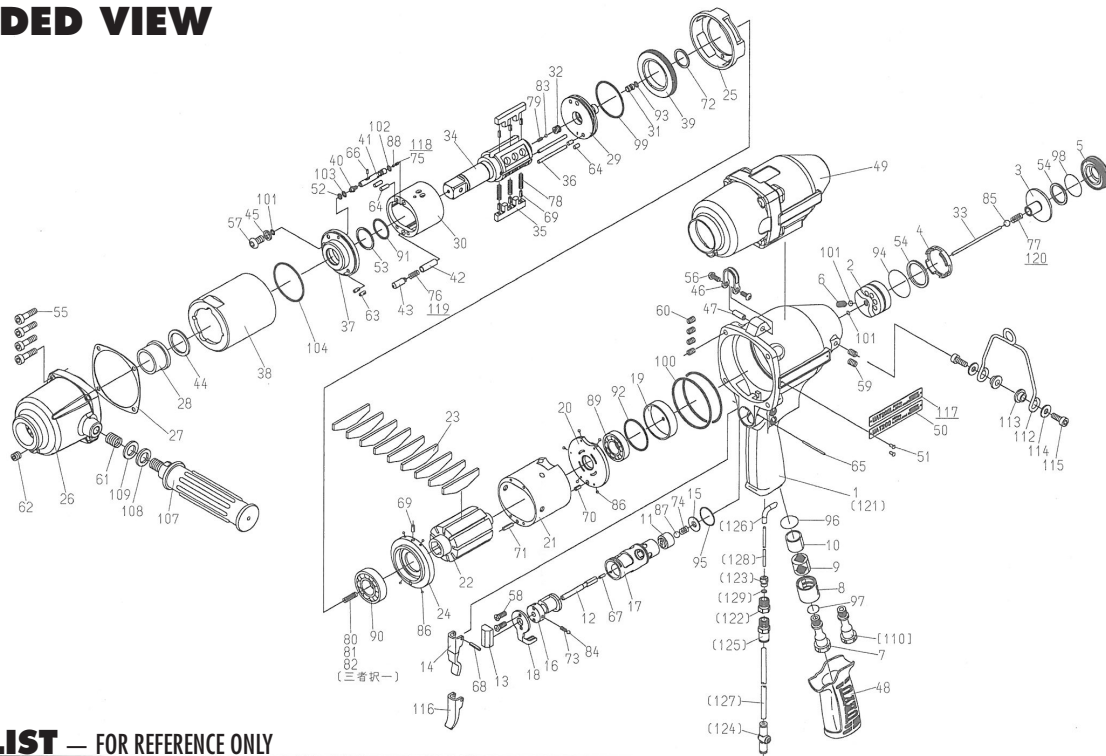


UAT-200 SERIES OIL-PULSE WRENCHES

EXPLODED VIEW



PARTS LIST — FOR REFERENCE ONLY

Index Number	Part Number	Description	Qty.	Index Number	Part Number	Description	Qty.	Index Number	Part Number	Description	Qty.
1	18H-025-3	Handle	1	47	136-791-7	Suspension Bail Base	1	93	990-891-0	O-Ring (SNS-3(E))	1
2	18H-253-3	Shut-off Valve Bushing	1	48	18H-842-3	Handle Cover	1	94	990-915-0	O-Ring (SNS-29)	1
3	18H-254-3	Shut-off Valve	1	49	18H-840-3	Casing Protector	1	95	990-916-0	O-Ring (SNS-18)	1
4	18H-684-3	Cushion Spacer	1	50	18H-924-3	Name Plate	1	96	990-917-0	O-Ring (SNS-24)	1
5	18H-019-3	Valve Cover	1	51	930-205-0	Driver Rivet (No. 0 x 2.6)	2	97	990-919-0	O-Ring (SNS-22)	1
6	128-108-2	Valve Plug	1	52	944-208-0	Back-up Ring (8.1 x 10 x 1)	1	98	990-925-0	O-Ring (SNS-32)	1
7	163-091-6	Air Inlet Bushing	1	53	944-225-0	Back-up Ring (25.2 x 29.4 x 1.5)	1	99	990-943-0	O-Ring (SNS-63)	1
8	163-780-6	Exhaust Stack	1	54	944-233-0	Back-up Ring (28 x 36 x 1.5)	2	100	990-995-0	O-Ring (SNS-80)	2
9	163-042-3	Silencer	1	55	945-222-0	Allen Head Bolt (M6 x 22)	4	101	990-949-0	O-Ring (P-3)	3
10	163-835-5	Filter (K100)	1	56	945-941-0	Allen Head Button Bolt (M4 x 5)	2	102	990-973-0	O-Ring (SNS-5)	1
11	163-100-6	Valve	1	57	945-960-0	Allen Head Button Bolt (M6 x 8)	1	103	990-977-0	O-Ring (SNS-7)	1
12	163-104-6	Valve Rod	1	58	948-423-0	Allen Head Screw (M3 x 6)	2	104	990-990-0	O-Ring (SNS-65)	1
13	163-106-6	Valve Rod Cap	1	59	965-010-0	Helixert (M5 x 1D)	2	PARTS FOR UAT-200L			
14	130-107-2	Valve Lever	1	60	965-021-0	Helixert (M6 x 1.50)	4	117	18H-924-4	Name Plate	1
15	163-109-6	Valve Spring Setter	1	61	965-058-0	Helixert (M12 x 1 D)	1	118	976-576-0	Spring (5.5 x 13.5)	1
16	18H-210-3	Reverse Valve	1	62	966-100-0	Allen Head Plug (1/8)	1	119	976-577-0	Spring (5.8 x 28.5)	1
17	18H-211-3	Reverse Valve Bushing	1	63	969-408-0	Pin (B) (5 x 10)	2	120	976-578-0	Spring (5.3 x 15.5)	1
18	128-212-2	Reverse Lever	1	64	970-408-0	Pin (H) (5 x 8)	4	PARTS FOR UAT-200TM			
19	18H-291-3	Rear Plate Spacer	1	65	971-130-0	Pin (2 x 30)	1	121	852-566-1	Handle	1
20	18H-285-3	Rear Plate	1	66	972-008-0	Roller Pin (2 x 8)	1	122	851-955-1	Connecting Screw	1
21	18H-286-3	Cylinder	1	67	972-090-0	Roller Pin (3 x 10)	1	123	851-967-1	Plug	1
22	18H-287-3	Rotor	1	68	973-120-0	Roll Pin (3 x 20)	1	124	909-442-0	Quick Exhaust (AQ240F-04)	1
23	18H-288-3	Blade	9	69	973-208-0	Roll Pin (4 x 8)	7	125	933-281-0	One-Tough Connector	1
24	18H-289-3	Front Plate	1	70	973-212-0	Roll Pin (4 x 12)	1	126	935-240-0	Nylon Tube (18NY)	1
25	18H-027-3	Separator	1	71	973-222-0	Roll Pin (4 x 22)	1	127	935-350-0	Polyurethane Hose (F-1504)	1
26	18H-439-3	Front Casing	1	72	975-863-0	Adjusting Spacer (40 x 25.1 x t)	1	128	935-358-0	Polyurethane Hose (TU-0212)	1
27	18H-867-3	Front Casing Packing	1	73	976-006-0	Spring (3 x 5)	1	129	990-320-0	O-Ring (APR-568)	1
28	194-328-8	Anvil Bushing	1	74	976-142-0	Spring (6 x 17.5)	1	ACCESSORIES			
29	18H-901-3	Rear Liner Plate	1	75	976-564-0	Spring (5.5 x 13)	1	105	939-104-0	Allen Wrench (5)	1
30	18H-902-3	Liner	1	76	976-572-0	Spring (5.8 x 30)	1	106	939-111-0	Allen Wrench (3)	1
31	173-546-3	Piston	1	77	976-573-0	Spring (5.5 x 16)	1	107	566-720-2	Dead Handle (A)	1
32	128-929-2	Check Valve Cover	1	78	976-797-0	Spring (6.35 x 45.5)	3	108	962-013-0	Spring Washer (2-128)	1
33	18H-130-3	Operating Rod (3 x 84.8)	1	79	976-812-0	Spring (2.4 x 5.4)	1	109	975-127-0	Spacer (20 x 13 x 1)	1
34	18H-319-3	Anvil	1	80	976-575-0	Spring (5.7 x 28.5) Standard	1	110	909-449-0	Speed Controller	1
35	194-440-9	Driving Blade	2	81	976-574-0	Spring (5.6 x 30) Strong	1	Options			
36	176-974-5	Roller (4.4 x 55)	2	82	976-565-0	Spring (5.5 x 27) Weak	1	111	851-106-0	Suspension Bail Assembly	1
37	18H-904-3	Front Liner Plate	1	83	981-001-0	Ball (3/32)	1	112	851-107-1	Suspension Bail	1
38	194-905-8	Liner Casing	1	84	981-002-0	Ball (1/8)	1	113	193-791-6	Suspension Receiver	2
39	194-906-8	Liner Casing Cover	1	85	981-005-0	Ball (7/32)	1	114	193-792-6	Suspension Plate	2
40	173-907-3	Relief Valve Spindle	1	86	981-047-0	Ball (3/32)	9	115	945-112-0	Allen Head Bolt (5 x 12)	2
41	18H-970-3	Relief Valve	1	87	981-206-0	Ball (1/4)	1	116	130-107-4	Valve Lever (Shorter)	1
42	18H-274-3	Pressure Valve Spring Cover	1	88	981-245-0	Ball (4.5 mm)	1				
43	18H-276-3	Pressure Valve Body	1	89	982-104-0	Ball Bearing (6004)	1				
44	130-327-5	Anvil Front Spacer	1	90	982-960-0	Ball Bearing (60/28)	1				
45	188-807-1	Spacer	1	91	990-170-0	O-Ring (APR-568-120)	1				
46	136-790-7	Suspension Bail	1	92	990-315-0	O-Ring (APR-568-032)	1				

FOOTNOTES



10000 SE PINE
PORTLAND, OR 97216
503-254-6600
FAX 503-255-2615

When ordering spare parts, please specify
tool type, part number, and description.