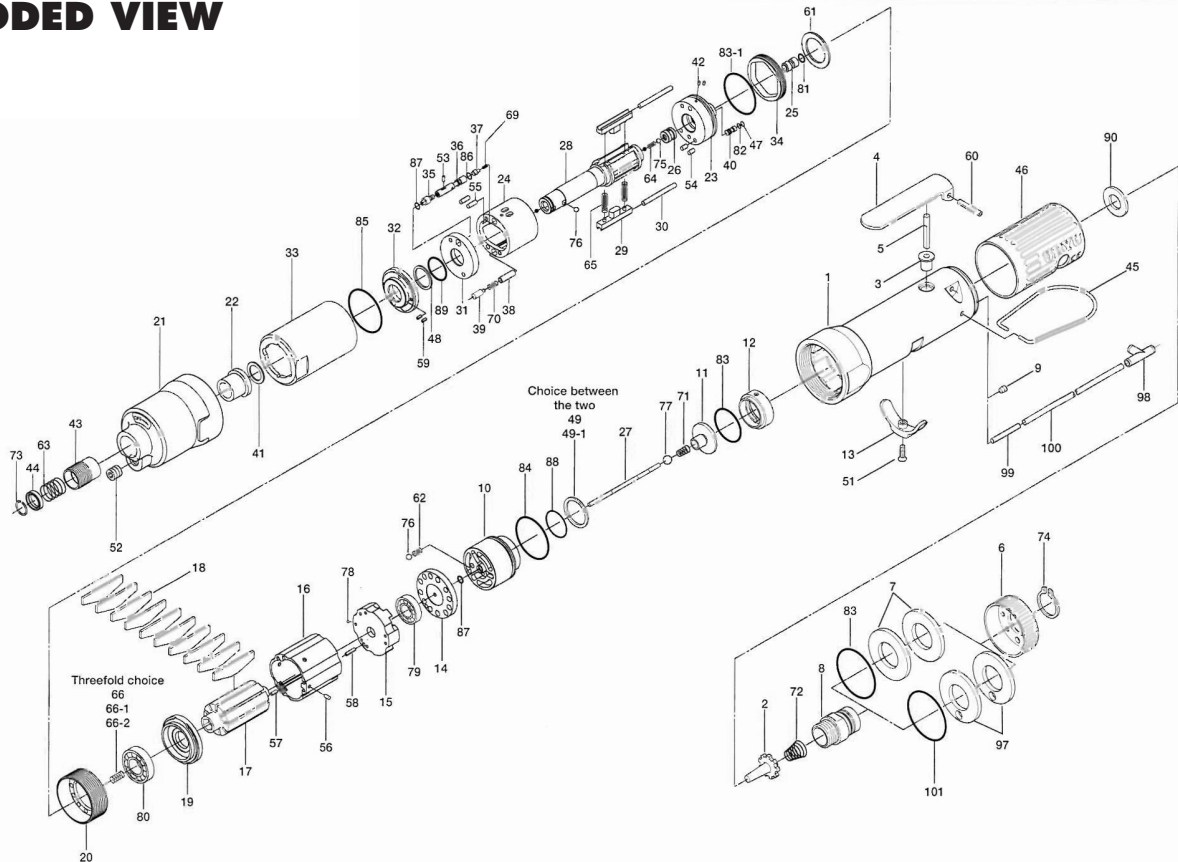


UAT-30SD SERIES OIL-PULSE WRENCHES

EXPLODED VIEW



PARTS LIST — FOR REFERENCE ONLY

Index Number	Part Number	Description	Qty.	Index Number	Part Number	Description	Qty.	Index Number	Part Number	Description	Qty.
1	18H-025-1	Casing	1	36	18C-970-1	Relief Valve	1	71	977-063-0	Cone Spring (4.1 x 4.7 x 9)	1
2	259-100-0	Valve	1	37	144-270-0	Pressure Valve	1	72	977-227-0	Cone Spring (9 x 12 x 25)	1
3	161-103-3	Valve Rod Bushing	1	38	080-274-6	Pressure Valve Spring Collar	1	73	978-117-0	Snap Ring (11.7 x 1)	1
4	18D-107-8	Valve Lever	1	39	18A-276-0	Pressure Valve Body	1	74	979-358-0	Inner Snap Ring (ISTW-17)	1
5	128-104-5	Valve Rod	1	40	178-742-0	Oil Plug	1	75	981-001-0	Ball (3/32)	1
6	128-782-5	Exhaust Cover	1	41	145-327-7	Anvil Front Spacer	1	76	981-002-0	Ball (1/8)	2
7	128-835-5	Filter (K200)	2 ■	42	150-064-5	Plug	2	77	981-003-0	Ball (5/32)	1
8	128-091-8	Air Inlet Bushing	1	43	011-351-1	Bit Sleeve	1	78	981-045-0	Ball (1.5)	1
9	147-064-6	Filler	1	44	011-352-1	Bit Spacer	1	79	982-014-0	Ball Bearing (607)	1 ■
10	18H-253-1	Shut-off Valve Bushing	1	45	010-790-1	Suspension Ring	1	80	982-901-0	Ball Bearing (6901)	1 ■
11	145-254-6	Shut-off Valve	1	46	128-842-4	Casing Cover	1	81	990-305-0	O-Ring (ARPS68-003KS)	1 ●
12	129-684-2	Cushion Spacer	1	47	944-002-0	Back-up Ring (2.6 x 4.5 x 1)	1 ●	82	990-320-0	O-Ring (ARP568-003)	1 ●
13	161-212-3	Reverse Lever	1	48	944-212-0	Back-up Ring (12 x 16 x 1.5)	1 ●	83	990-329-0	O-Ring (JW1530-19)	2
14	18H-291-1	Rear Plate Spacer	1	49	944-21 6-0	Back-up Ring (14 x 20 x 1.85)	1	83-1	990-327-0	O-Ring (JW1530-18)	1 ●
15	18H-285-1	Rear Plate	1	49-1	944-218-0	Back-up Ring (14 x 20 x 1.9)	1	84	990-331-0	O-Ring (JW1530-21)	1
16	18H-286-1	Cylinder	1	51	948-426-0	Allen Head Screw (M3 x 12)	1	85	990-605-0	O-Ring (25 x 1.45)	1 ●
17	18A-287-0	Rotor	1	52	966-099-0	Allen Head Plug (NPT1/16)	1	86	990-621-0	O-Ring (3.8 x 1.8 x 1.0)	1 ●
18	18A-288-0	Blade (PC)	10 ■	53	970-013-0	Pin (H) (1.5 x 4)	1	87	990-970-0	O-Ring (SNS-2)	2 ●
19	18A-289-0	Front Plate	1	54	970-130-0	Pin (H) (2.45 x 4.5)	2	88	992-914-0	O-Ring (SNS-16)	1
20	144-036-0	Hammer Casing Connector	1	55	970-131-0	Pin (H) (2.45 x 9.5)	2	89	992-020-0	SU-Ring (Q12)	1 ●
21	144-439-0	Front Casing	1	56	971-102-0	Pin (2 x 3.8)	1	90	996-424-0	Urethane Packing (16 x 9 x 2)	1
22	190-328-6	Anvil Bushing	1	57	973-008-0	Roll Pin (2 x 8)	1	PARTS FOR UAT-30SD(TM)			
23	18A-901-0	Rear Liner Plate	1	58	973-018-0	Roll Pin (2 x 18)	1	Remove 147-064-6 Plug			
24	18A-902-0	Liner	1	59	973-040-0	Roll Pin (1.5 x 5)	2	97	851-065-1	Filter (K200)	2
25	145-546-6	Piston	1	60	973-122-0	Roll Pin (3 x 22)	1	98	909-442-0	Quick Exhaust (AQ240F-04-00)	1
26	145-929-6	Check Valve Cover	1	61	975-752-0	Adjusting Spacer (15 x 10 x t)	1	99	935-240-0	Nylon Tube (18NY)	1
27	147-130-6	Operating Rod (2.1 x 60.5)	1	62	976-006-0	Spring (3 x 5)	1	100	935-350-0	Polyurethane Hose (F-1504)	1
28	144-350-0	Driver Anvil	1	63	976-327-0	Spring (13.5 x 1)	1	101	990-331-0	O-Ring (JW1530-21)	1
29	144-440-0	Driving Blade	2	64	976-645-0	Spring (2.4 x 5)	1 ●	ACCESSORIES			
30	145-974-0	Roller (2.5 x 21)	2	65	976-782-0	Spring (3.3 x 16) WPC	2 ●	110	939-091-0	Allen Wrench (1.5)	1
31	18A-973-0	Liner Casing Setter	1	66	976-688-0	Spring (3.3 x 17.5) Standard	1	111	939-105-0	Allen Wrench (4)	1
32	144-904-0	Front Liner Plate	1	66-1	976-650-0	Spring (3.3 x 16) Strong	1	114	909-449-0	Speed Controller	1
33	144-905-0	Liner Casing	1	66-2	976-661-0	Spring (3.3 x 17) Weak	1	FOOTNOTES			
34	144-906-0	Liner Casing Cover	1	69	976-897-0	Spring (2.85 x 6.9)	1 ●	● = Items in Pulse Repair Kit UAT-30SD-PRK			
35	145-907-6	Relief Valve Spindle	1	70	976-777-0	Spring (3.0 x 13.5)	1 ●	■ = Items in Repair Kit UAT-30SD-RK			



10000 SE PINE
PORTLAND, OR 97216
503-254-6600
FAX 503-255-2615

When ordering spare parts, please specify
tool type, part number, and description.

FOOTNOTES

- = Items in Pulse Repair Kit UAT-30SD-PRK
- = Items in Repair Kit UAT-30SD-RK