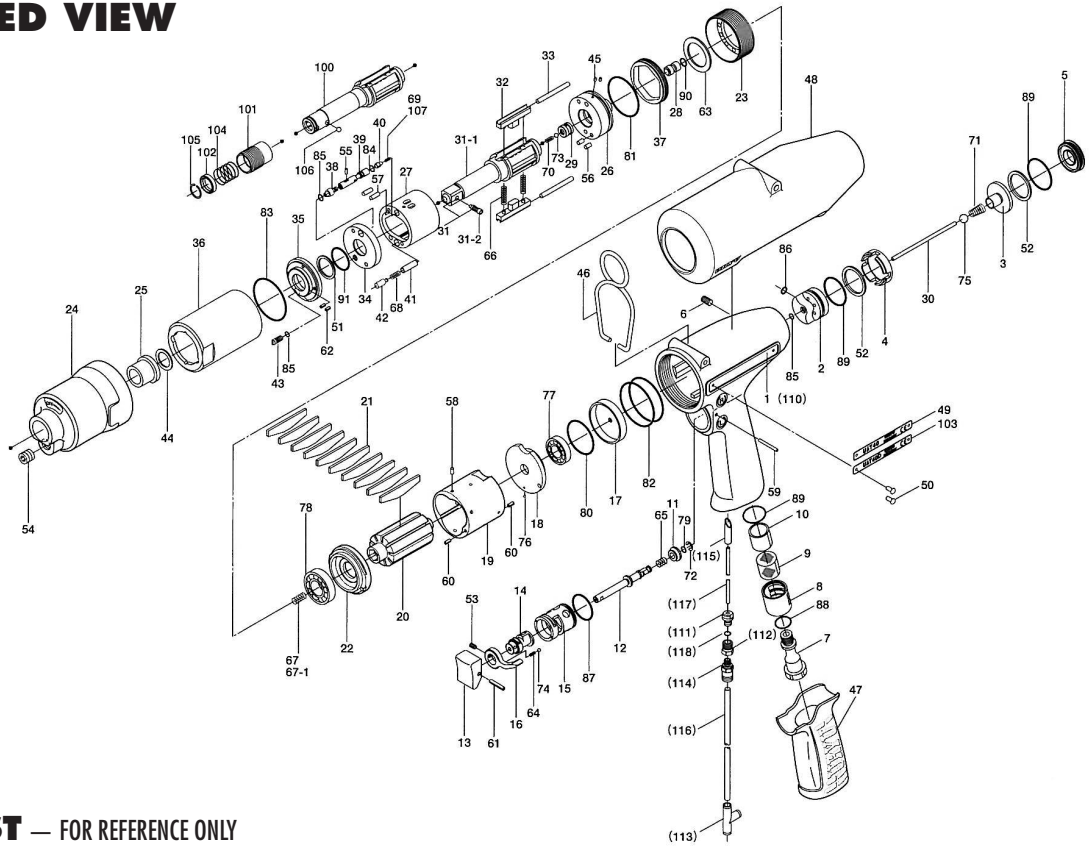


UAT-40, UAT-40D SERIES OIL PULSE WRENCHES

EXPLODED VIEW



PARTS LIST — FOR REFERENCE ONLY

Index Number	Part Number	Description	Qty.	Index Number	Part Number	Description	Qty.	Index Number	Part Number	Description	Qty.
1	188-025-2	Handle	1	39	144-970-0	Relief Valve	1	77	982-014-0	Ball Bearing (607)	1 ■
2	145-253-3	Shut-off Valve Bushing	1	40	144-270-0	Pressure Valve	1	78	982-902-0	Ball Bearing (6901)	1 ■
3	145-254-6	Shut-off Valve	1	41	080-274-6	Pressure Valve Spring Collar	1	79	990-306-0	O-Ring (ARP568-004)	1
4	145-684-6	Cushion Spacer	1	42	18A-276-4	Pressure Valve Body	1	80	990-327-0	O-Ring (JW1530-18)	1
5	145-019-6	Valve Cover	1	43	194-742-0	Oil Plug	1	81	990-329-0	O-Ring (JW-1530-19)	1 ● ▲
6	150-108-5	Valve Plug	1	44	145-327-7	Anvil Front Spacer	1	82	990-337-0	O-Ring (JW1530-27)	2 ■ ▲
7	147-091-2	Air Inlet Bushing	1	45	150-064-5	Plug	2	83	990-605-0	O-Ring (25 x 1.45)	1 ● ▲
8	147-780-3	Exhaust Stack	1	46	174-790-0	Suspension Ring	1	84	990-621-0	O-Ring (3.8 x 1.8 x 1.0)	1 ● ▲
9	147-042-2	Silencer	1	47	18C-842-8	Handle Cover	1	85	990-900-0	O-Ring (SNS-2)	3 ● ▲
10	147-835-3	Filter (K200)	1 ■	48	145-840-7	Casing Cover	1	86	990-901-0	O-Ring (SNS-3)	1
11	147-100-3	Valve	1	49	18A-924-4	Name Plate	2	87	990-912-0	O-Ring (SNS-14)	1
12	142-104-6	Valve Rod	1	50	930-205-0	Driver Rivet (NO.0 x 2.6)	1	88	990-914-0	O-Ring (SNS-16)	1
13	147-107-2	Valve Lever	1	51	944-212-0	Back-up Ring (12 x 16 x 1.5)	2 ● ▲	89	990-916-0	O-Ring (SNS-18)	3
14	147-210-2	Reverse Valve	1	52	944-217-0	Back-up Ring (14 x 20 x 1.8)	2	90	990-305-0	O-Ring (APR-568-003KS)	1 ● ▲
15	147-211-2	Reverse Valve Bushing	1	53	952-106-0	Allen Head Dog Point Screw (M4 x 6)	1	91	992-020-0	SURing Q12 (NTN)	1 ● ▲
16	098-212-5	Reverse Lever	1								
17	145-291-7	Rear Plate Spacer	1	54	966-099-0	Allen Head Plug (NPT1/16)	1	PARTS FOR UAT-40D			
18	188-285-2	Rear Plate	1	55	970-013-0	Pin (H) (1.5 x 4)	1	68	976-842-0	Spring (2.9 x 13.5)	1 ▲
19	18A-286-4	Cylinder	1	56	970-130-0	Pin (H) (2.45 x 4.5)	2	100	145-350-2	Driver Anvil	1
20	188-287-2	Rotor	1	57	970-131-0	Pin (H) (2.45 x 9.5)	2	101	011-351-1	Bit Sleeve (1/8)	1
21	188-288-2	Blade	10 ■	58	971-102-0	Pin (2 x 3.8)	1	102	011-352-1	Bit Spacer	1
22	188-289-2	Front Plate	1	59	971-123-0	Pin (2 x 23)	1	103	18A-924-6	Name Plate	1
23	147-036-2	Hammer Casing Connector	1	60	973-008-0	Roll Pin (2 x 8)	2	104	976-327-0	Spring (13.5 x 11)	1
24	145-439-0	Front Casing	1	61	973-014-0	Roll Pin (2 x 14)	1	105	978-117-0	Snap Ring (11.7 x 1)	1
25	190-328-6	Anvil Bushing	1	62	973-040-0	Roll Pin (1.5 x 5)	2	106	981-002-0	Ball (1/8)	1
26	078-901-7	Rear Liner Plate	1	63	975-752-0	Adjusting Spacer (15 x 10 x 1)	1	107	976-854-0	Spring (2.9 x 7.6)	1 ▲
27	10C-902-1	Liner	1	64	976-006-0	Spring (3 x 5)	1				
28	145-546-6	Piston	1	65	976-457-0	Spring (7 x 12)	1	PARTS FOR (TM) TYPE			
29	145-929-6	Check Valve Cover	1	66	976-791-0	Spring (3.3 x 21)	2 ● ▲	110	852-501-1	Handle	1
30	145-130-0	Operating Rod	1	67	976-650-0	Spring (3.3 x 16)	1	111	1/16BK1-10F	Barb 10/32 x 1/16npt x 1/16	1
31	891-554-1	Anvil Assembly	1	67-1	976-857-0	Spring (3.3 x 17)	1	112	PQ-MC05N	5/32 x 10/32 Fitting	1
31-1	145-319-0	Anvil	1	68	976-777-0	Spring (3.0 x 13.5)(0.35)	1 ●	113	909-442-0	Quick Exhaust (AQ240F-04-00)	1
31-2	891-300-1	Socket Pin Assembly	1	69	976-853-0	Spring (2.9 x 7.5)	1 ●	116	935-350-0	Polyurethane Hose (F1504)	1
32	145-440-0	Driving Blade	2	70	976-645-0	Spring (2.4 x 5)	1 ● ▲	117	935-358-0	PolyurethaneHose(TU-0212)	1
33	145-974-0	Roller (2.5 x 21)	2	71	977-041-0	Cone Spring (3.9 x 4.5 x 9)	1				
34	18C-973-8	Liner Casing Spacer	1	72	979-405-0	Outer Snap Ring (E2.5)	1	ACCESSORIES			
35	145-904-6	Front Liner Plate	1	73	981-001-0	Ball (3/32)	1	120	939-091-0	Allen Wrench (1.5)	1
36	145-905-0	Liner Casing	1	74	981-002-0	Ball (1/8)	1	121	939-105-0	Allen Wrench (4)	1
37	145-906-6	Liner Casing Cover	1	75	981-003-0	Ball (5/32)	1	122	940-114-0	Air Hose Nipple (NPT1/4 x 3/8)	1
38	145-907-6	Relief Valve Spindle	1	76	981-045-0	Ball (1.5)	1	123	916-810-0	(W) Bit for Driver type	1
								124	909-449-0	Speed Controller for TM-type	1



10000 SE PINE
 PORTLAND, OR 97216
 503-254-6600
 FAX 503-255-2615

When ordering spare parts, please specify tool type, part number, and description.

FOOTNOTES
 ● = Items in Pulse Repair Kit UAT-40-PRK
 ▲ = Items in Pulse Repair Kit UAT-40D-PRK
 ■ = Items in Repair Kit UAT-40D-RK