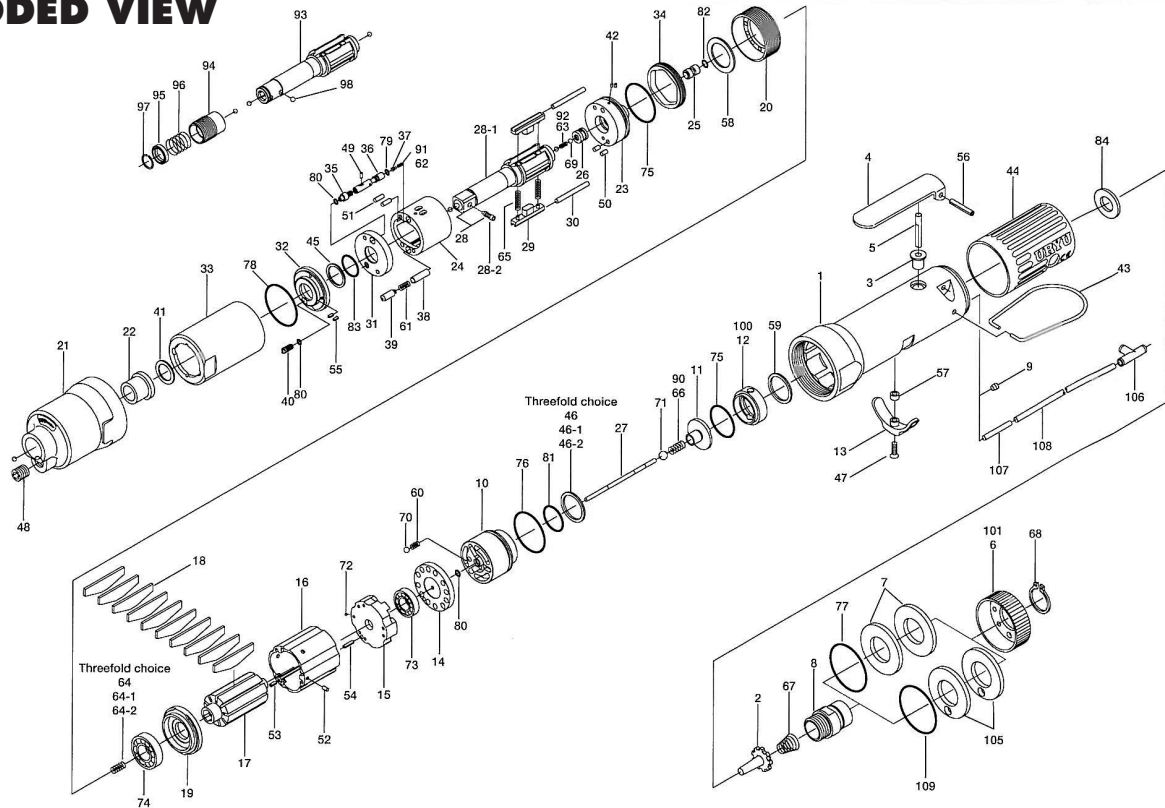


UAT-50S, UAT-50SD SERIES OIL-PULSE WRENCHES

EXPLODED VIEW



PARTS LIST — FOR REFERENCE ONLY

Index Number	Part Number	Description	Qty.	Index Number	Part Number	Description	Qty.	Index Number	Part Number	Description	Qty.
1	18C-025-2	Casing	1	39	18A-276-4	Pressure Valve Body	1	74	982-902-0	Ball Bearing (6902)	1
2	259-100-0	Valve	1	40	194-742-0	Oil Plug	1	75	990-329-0	O-Ring (JW1530-19)	2
3	161-103-3	Valve Rod Bushing	1	41	145-327-7	Anvil Front Spacer	1	76	990-332-0	O-Ring (JW1530-22)	1
4	180-107-8	Valve Lever	1	42	150-064-5	Plug	2	77	990-603-0	O-Ring (28.5 x 1.3)	1
5	128-104-8	Valve Rod	1	43	191-790-1	Suspension Ring	1	78	990-605-0	O-Ring (25 x 1.45)	1
6	128-782-8	Exhaust Cover	1	44	18C-842-3	Casing Cover	1	79	990-621-0	O-Ring (3.8 x 1.8 x 1.0)	1
7	128-835-8	Filter (K200)	2	45	944-212-0	Back-up Ring (12 x 16 x 1.5)	1	80	990-900-0	O-Ring (SNS-2)	2
8	128-091-8	Air Inlet Bushing	1	46	944-216-0	Back-up Ring (14 x 20 x 1.85)	1	81	990-914-0	O-Ring (SNS-16)	1
9	147-064-6	Filler	1	46-1	944-217-0	Back-up Ring (14 x 20 x 1.8)	1	82	990-305-0	O-Ring (ARPS68-003)	1
10	18C-253-2	Shut-off Valve Bushing	1	46-2	944-218-0	Back-up Ring (14 x 20 x 1.9)	1	83	992-020-0	SU-Ring (Q12)	1
11	145-254-6	Shut-off Valve	1	47	948-426-0	Allen Head Dog Point Screw (M3 x 12)	1	84	996-424-0	Urethane Packing (16 x 9 x 2)	1
12	129-684-0	Cushion Spacer	1								
13	161-212-3	Reverse Lever	1	48	966-099-0	Allen Head Plug (NPT1/16)	1	PARTS FOR UAT-50SD			
14	18C-291-2	Rear Plate Spacer	1	49	970-013-0	Pin (H) (1.5 x 4)	1	90	977-045-0	Cone Spring (4.0 x 4.6 x 9)	1
15	18C-285-2	Rear Plate	1	50	970-130-0	Pin (H) (2.45 x 4.5)	2	91	976-886-0	Spring (2.7 x 7.7)	1
16	18C-286-2	Cylinder	1	51	970-131-0	Pin (H) (2.45 x 9.5)	2	92	976-653-0	Spring (2.4 x 5)	1
17	18B-287-2	Rotor	1	52	971-102-0	Pin (2 x 3.8)	1	93	145-350-2	Driver Anvil	1
18	18B-288-2	Blade (PC)	10	53	973-008-0	Roll Pin (2 x 8)	1	94	011-351-1	Bit Sleeve	1
19	18B-289-2	Front Plate	1	54	973-018-0	Roll Pin (2 x 18)	1	95	011-352-1	Bit Spacer	1
20	147-036-2	Hammer Casing Connector	1	55	973-040-0	Roll Pin (1.5 x 5)	2	96	976-327-0	Spring (13.5 x 11)	1
21	145-439-0	Front Casing	1	56	973-122-0	Roll Pin (3 x 22)	1	97	978-117-0	Snap Ring (11.7 x 1)	1
22	190-328-6	Anvil Bushing	1	57	975-004-0	Spacer (5.5 x 3.1 x 2.7)	1	98	981-002-0	Ball (1/8)	1
23	078-901-7	Rear Liner Plate	1	58	975-752-0	Adjusting Spacer (15 x 10 x t)	1				
24	18B-902-2	Liner	1	59	975-806-0	Adjusting Spacer (24 x 20 x t)	1	PARTS FOR UAT-50SL & 50SDL			
25	145-546-6	Piston	1	60	976-006-0	Spring (3 x 5)	1	100	129-684-2	Cushion Spacer	1
26	145-929-6	Check Valve Cover	1	61	976-841-0	Spring (3 x 11.4) (0.35)	1	101	129-782-0	Exhaust Cover	1
27	129-130-2	Operating Rod (2.1 x 64.7)	1	62	976-881-0	Spring (2.7 x 7.6)	1	PARTS FOR UAT-50S (TM) TYPE			
28	891-554-1	Anvil Assembly	1	63	976-651-0	Spring (2.4 x 5)	1	Remove #9 147-064-6 Filler			
28-1	145-319-0	Anvil	1	64	976-857-0	Spring (3.3 x 17) Standard	1	105	851-053-1	Filter (K200)	2
28-2	891-300-1	Socket Pin Assembly	1	64-1	976-650-0	Spring (3.3 x 16) Weak	1	106	909-442-0	Quick Exhaust (AQ240F-04-00)	1
29	145-440-0	Driving Blade	2	64-2	976-662-0	Spring (3.3 x 18) Strong	1	107	935-240-0	Nylon Tube (18NY)	1
30	145-974-0	Roller (2.5 x 21)	2	65	976-791-0	Spring (3.3 x 21) WPC	2	108	935-350-0	Polyurethane Hose (F-1504)	1
31	18C-973-8	Liner Casing Setter	1	66	977-044-0	Cone Spring (4.1 x 4.7 x 10)	1	109	990-333-0	O-Ring (JW1530-23)	1
32	145-904-6	Front Liner Plate	1	67	977-227-0	Cone Spring (9 x 12 x 25)	1				
33	145-905-0	Liner Casing	1	68	979-358-0	Snap Ring (ISTW-17)	1	ACCESSORIES			
34	145-906-6	Liner Casing Cover	1	69	981-001-0	Ball (3/32)	1	110	939-091-0	Allen Wrench (1.5)	1
35	145-907-6	Relief Valve Spindle	1	70	981-002-0	Ball (1/8)	1	111	939-105-0	Allen Wrench (4)	1
36	18C-970-1	Relief Valve	1	71	981-003-0	Ball (5/32)	1	114	909-449-0	Speed Controller	1
37	144-270-0	Pressure Valve	1	72	981-045-0	Ball (1.5)	1				
38	080-274-6	Pressure Valve Spring Collar	1	73	982-014-0	Ball Bearing (607)	1				



10000 SE PINE
PORTLAND, OR 97216
503-254-6600
FAX 503-255-2615

When ordering spare parts, please specify
tool type, part number, and description.

FOOTNOTES

- = Items in Pulse Repair Kit UAT-50S-PRK
- = Items in Repair Kit UAT-50S-RK
- ▲ = Items in Pulse Repair Kit UAT-50SD-PRK