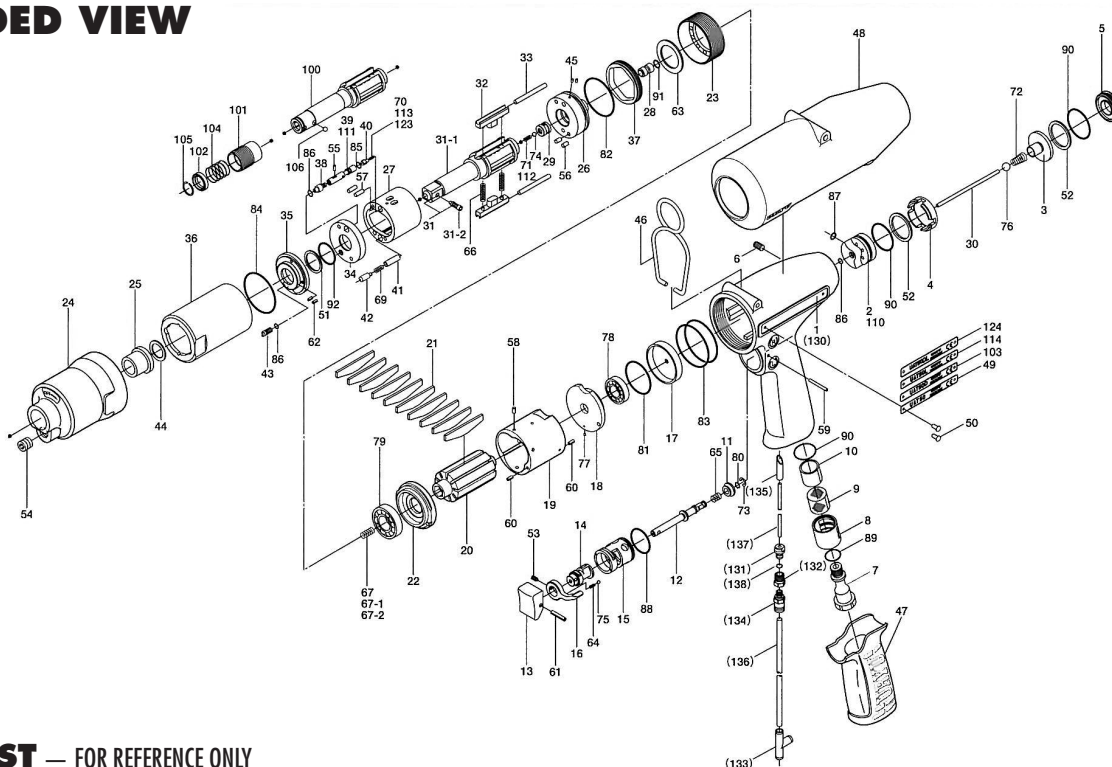


# UAT-50, UAT-50D, UAT-50L SERIES OIL-PULSE WRENCHES

## EXPLODED VIEW



## PARTS LIST — FOR REFERENCE ONLY

Index Number	Part Number	Description	Qty.	Index Number	Part Number	Description	Qty.	Index Number	Part Number	Description	Qty.
1	188-025-3	Handle	1	44	145-327-7	Anvil Front Spacer	1	87	990-901-0	O-Ring (SNS-3)	1
2	145-253-6	Shut-off Valve Bushing	1	45	150-064-5	Plug	2	88	990-912-0	O-Ring (SNS-14)	1
3	145-254-6	Shut-off Valve	1	46	174-790-0	Suspension Ring	1	89	990-914-0	O-Ring (SNS-16)	1
4	145-684-6	Cushion Spacer	1	47	18C-842-8	Handle Cover	1	90	990-916-0	O-Ring (SNS-18)	3
5	145-019-6	Valve Cover	1	48	145-840-7	Casing Cover	1	91	990-305-0	O-Ring (APR-568-003KS)	1 ●
6	150-108-5	Valve Plug	1	49	188-924-2	Name Plate	1	92	992-020-0	SU Ring Q12 (NTN)	1 ●
7	147-091-2	Air Inlet Bushing	1	50	930-205-0	Driver Rivet (No.0 x 2.6)	2	<b>PARTS FOR UAT-50D</b>			
8	147-780-3	Exhaust Stack	1	51	944-212-0	Back-up Ring (12 x 16 x 1.5)	1 ●	100	145-350-2	Driver Anvil	1
9	147-042-2	Silencer	1	52	944-217-0	Back-up Ring (14 x 20 x 1.8)	2	101	011-351-1	Bit Sleeve (1/8)	1
10	147-835-3	Filter (K200)	1 ■	53	952-106-0	Allen Head Dog Point Screw (M4 x 6)	1	102	011-352-1	Bit Spacer	1
11	147-100-3	Valve	1	54	966-099-0	Allen Head Plug (NPT1/16)	1	103	188-924-5	Name Plate	1
12	142-104-6	Valve Rod	1	55	970-013-0	Pin (H) (1.5 x 4)	1	104	976-327-0	Spring (13.5 x 11)	1
13	147-107-2	Valve Lever	1	56	970-130-0	Pin (H) (2.45 x 4.5)	1	105	978-117-0	Snap Ring (11.7 x 1)	1
14	147-210-2	Reverse Valve	1	57	970-131-0	Pin (H) (2.45 x 9.5)	2	106	981-002-0	Ball (1/8)	1
15	147-211-2	Reverse Valve Bushing	1	58	971-102-0	Pin (2 x 3.8)	1	<b>PARTS FOR UAT-50L</b>			
16	09B-212-5	Reverse Lever	1	59	971-123-0	Pin (2 x 2.3)	1	110	145-253-8	Shut-off Valve Bushing	1
17	145-291-7	Rear Plate Spacer	1	60	973-008-0	Roll Pin (2 x 8)	2	111	18C-970-1	Relief Valve	1
18	188-285-2	Rear Plate	1	61	973-014-0	Roll Pin (2 x 14)	1	112	976-653-0	Spring (2.4 x 5)	1
19	188-286-2	Cylinder	1	62	973-040-0	Roll Pin (1.5 x 5)	2	113	976-881-0	Spring (2.7 x 7.6)	1
20	188-287-2	Rotor	1	63	975-752-0	Adjusting Spacer (15 x 10 x t)	1	114	18C-924-1	Name Plate	1
21	188-288-2	Blade	10 ■	64	976-006-0	Spring (3 x 5)	1	<b>PARTS FOR UAT-50DL</b>			
22	188-289-2	Front Plate	1	65	976-457-0	Spring (7 x 12)	1	110	145-253-8	Shut-off Valve Bushing	1
23	147-036-2	Hammer Casing Connector	1	66	976-791-0	Spring (3.3 x 21)	2 ●	111	18C-970-1	Relief Valve	1
24	145-439-0	Front Casing	1	67	976-650-0	Spring (3.3 x 16)	1	112	976-653-0	Spring (2.4 x 5)	1
25	190-328-6	Anvil Bushing	1	67-1	976-857-0	Spring (3.3 x 17)	1	123	976-676-0	Spring (2.7 x 7.4)	1
26	078-901-7	Rear Liner Plate	1	67-2	976-662-0	Spring (3.3 x 18)	1	124	188-924-7	Name Plate	1
27	10C-902-1	Liner	1	69	976-841-0	Spring (3.0 x 11.4)	1 ●	<b>PARTS FOR (TM) TYPE</b>			
28	145-546-6	Piston	1	70	976-881-0	Spring (2.7 x 7.6) (0.4)	1 ●	130	852-593-1	Handle	1
29	145-929-6	Check Valve Cover	1	71	976-653-0	Spring (2.4 x 5) (0.26)	1 ●	131	1/16BK1-10F	Barb 10/32 x 1/16npt x 1/16	1
30	145-130-0	Operating Rod	1	72	977-063-0	Cone Spring (4.1 x 4.7 x 9)	1 ●	132	PQ-MC05W	5/32 x 10/32 Fitting	1
31	891-554-1	Anvil Assembly	1	73	979-405-0	Outer Snap Ring (E2.5)	1	133	909-442-0	Quick Exhaust (AQ240F-04-00)	1
31-1	145-319-0	Anvil	1	74	981-001-0	Ball (3/32)	1	136	935-350-0	Polyurethane Hose (F1504)	1
31-2	891-300-1	Socket Pin Assembly	1	75	981-002-0	Ball (1/8)	1	137	935-358-0	Polyurethane Hose (TU-0212)	1
32	145-440-0	Driving Blade	2	76	981-003-0	Ball (5/32)	1	<b>ACCESSORIES</b>			
33	145-974-0	Roller (2.5 x 21)	2	77	981-045-0	Ball (1.5)	1	140	939-091-0	Allen Wrench (1.5)	1
34	18C-973-8	Liner Casing Spacer	1	78	982-014-0	Ball Bearing (607)	1 ■	141	939-105-0	Allen Wrench (4)	1
35	145-904-6	Front Liner Plate	1	79	982-902-0	Ball Bearing (6901)	1 ■	142	940-114-0	Air Hose Nipple (NPT1/4 x 3/8)	1
36	145-905-0	Liner Casing	1	80	990-306-0	O-Ring (ARP568-004)	1	143	916-810-0	(W) Bit for Driver type	1
37	145-906-6	Liner Casing Cover	1	81	990-327-0	O-Ring (JW1530-18)	1	144	909-449-0	Speed Controller for TM-type	1
38	145-907-6	Relief Valve Spindle	1	82	990-329-0	O-Ring (JW1530-19)	1 ●				
39	144-970-0	Relief Valve	1	83	990-337-0	O-Ring (JW1530-27)	2 ■				
40	144-270-0	Pressure Valve	1	84	990-605-0	O-Ring (25 x 1.45)	1 ●				
41	080-274-6	Pressure Valve Spring Collar	1	85	990-621-0	O-Ring (3.8 x 1.8 x 1.0)	1 ●				
42	18A-276-4	Pressure Valve Body	1	86	990-900-0	O-Ring (SNS-2)	3 ●				
43	194-742-0	Oil Plug	1								



10000 SE PINE  
PORTLAND, OR 97216  
503-254-6600  
FAX 503-255-2615

When ordering spare parts, please specify tool type, part number, and description.

### FOOTNOTES

- = Items in Pulse Repair Kit UAT-50D-PRK
- = Items in Repair Kit UAT-50D-RK