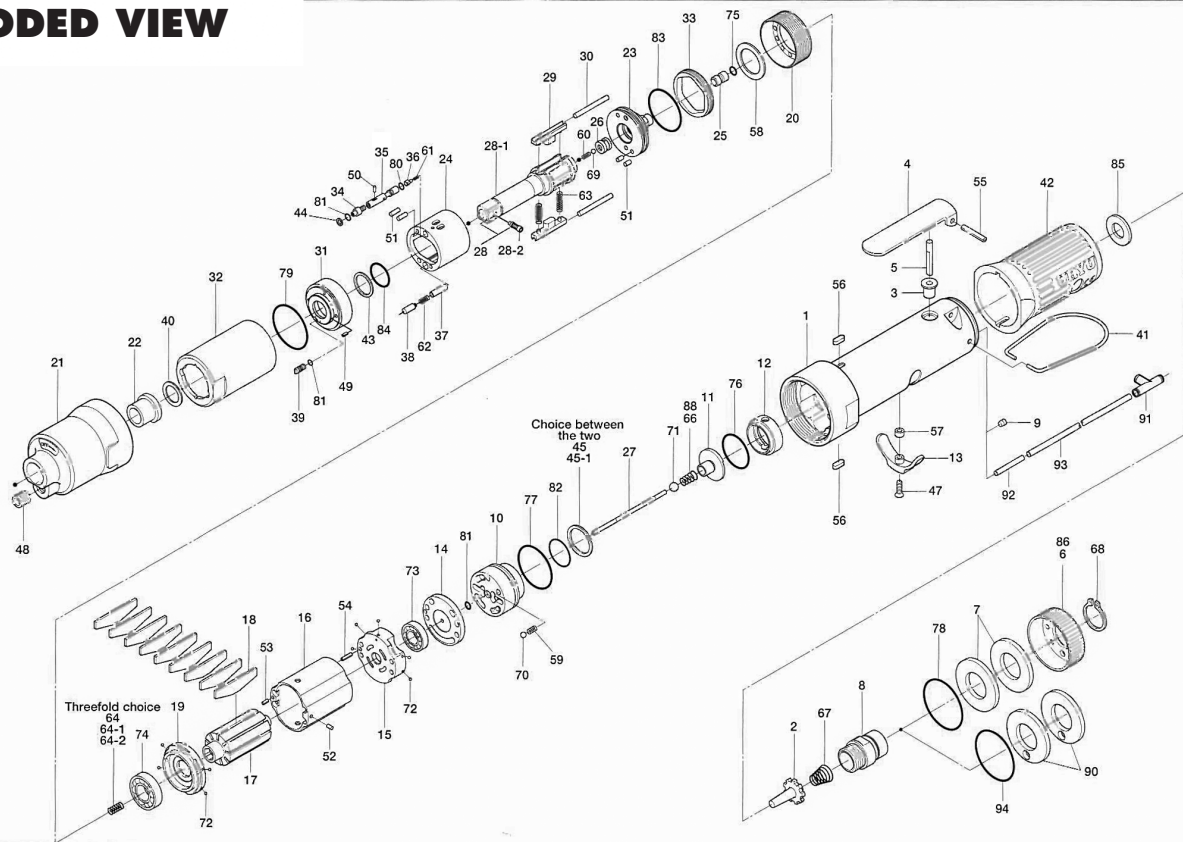


UAT-70S SERIES OIL-PULSE WRENCHES

EXPLODED VIEW



PARTS LIST — FOR REFERENCE ONLY

Index Number	Part Number	Description	Qty.	Index Number	Part Number	Description	Qty.	Index Number	Part Number	Description	Qty.
1	18E-025-9	Casing	1	35	18E-970-3	Relief Valve	1	70	981-002-0	Ball (1/8)	1
2	259-100-0	Valve	1	36	144-270-0	Pressure Valve	1	71	981-003-0	Ball (5/32)	1
3	161-103-3	Valve Rod Bushing	1	37	18F-274-2	Pressure Valve Spring Collar	1	72	981-045-0	Ball (1.5)	9
4	18D-107-8	Valve Lever	1	38	18E-276-3	Pressure Valve Body	1	73	982-014-0	Ball Bearing (607)	1 ■
5	128-104-8	Valve Rod	1	39	194-742-0	Oil Plug	1	74	982-902-0	Ball Bearing (6901)	1 ●
6	128-782-8	Exhaust Cover	1	40	178-327-0	Anvil Front Spacer	1	75	990-305-0	O-Ring (APR568-003KS)	1 ●
7	128-835-8	Filter (K200)	2 ■	41	191-790-1	Suspension Ring	1	76	990-329-0	O-Ring (JW1530-19)	1
8	128-091-8	Air Inlet Bushing	1	42	129-842-7	Casing Cover	1	77	990-331-0	O-Ring (JW1530-21)	1
9	147-064-6	Filler	1	43	944-013-0	Back-up Ring (P-12)	1 ●	78	990-603-0	O-Ring (28.5 x 1.3)	1
10	129-253-2	Shut-off Valve Bushing	1	44	944-203-0	Back-up Ring (3.1 x 5 x 1)	1 ●	79	990-334-0	O-Ring (JW1530-24)	1 ●
11	145-254-6	Shut-off Valve	1	45	944-216-0	Back-up Ring (14 x 20 x 1.85)	1	80	990-621-0	O-Ring (3.8 x 1.8 x 1.0)	1 ●
12	129-684-6	Cushion Spacer	1	45-1	944-218-0	Back-up Ring (14 x 20 x 1.9)	1	81	990-970-0	O-Ring (SNS-2)	3 ●
13	161-212-3	Reverse Lever	1	47	948-426-0	Allen Head Screw (M3 x 12)	1	82	990-914-0	O-Ring (SNS-16)	1
14	128-291-8	Rear Plate Spacer	1	48	966-099-0	Allen Head Plug (NPT 1/16)	1	83	990-923-0	O-Ring (SNS-26)	1 ●
15	129-285-2	Rear Plate	1	49	969-449-0	Pin (G)(3 x 6)	1	84	992-020-0	SU-Ring (A12)	1 ●
16	129-286-6	Cylinder	1	50	970-013-0	Pin(H)(1.5 x 4)	4	85	996-424-0	Urethane Packing (16 x 9 x 2)	1
17	129-287-6	Rotor	1	51	970-204-0	Pin (H)(3 x 6)	1	PARTS FOR UAT-70SL			
18	129-288-6	Blade (PC)	9 ■	52	971-102-0	Roll Pin (2 x 8)	1	86	129-782-0	Exhaust Deflector	1
19	128-289-8	Front Plate	1	53	973-008-0	Pin (2 x 3.8)	1	87	976-521-0	Spring (2.9 x 6.9) (0.45)	1
20	147-036-6	Hammer Casing Connector	1	54	973-018-0	Roll Pin (2 x 18)	1	88	977-046-0	Cone Spring (4.0 x 4.6 x 9)	1
21	147-439-6	Front Casing	1	55	973-122-0	Roll Pin (3 x 22)	1	PARTS FOR (TM) TYPE			
22	190-328-6	Anvil Bushing	1	56	974-008-0	Key (3 x 8)	2	Remove 147-064-6 Plug			
23	083-901-7	Rear Liner	1	57	975-004-0	Spacer (5.5 x 3.1 x 2.7)	1	90	851-053-1	Filter (K200)	1
24	18E-902-3	Plate Liner	1	58	975-752-0	Adjusting Spacer (15 x 10 x 1)	1	91	909-442-0	Quick Exhaust (AQ240F-04-00)	1
25	145-546-6	Piston	1	59	976-006-0	Spring (3 x 5)	1	92	935-240-0	Nylon Tube (18NY)	1
26	145-929-6	Check Valve Cover	1	60	976-645-0	Spring (2.4 x 5) (0.3)	1 ●	93	935-350-0	Polyurethane Hose (F-1504)	1
27	129-130-6	Operating Rod (2.1 x 70.7)	1	61	976-885-0	Spring (2.9 x 7)	1 ●	94	990-333-0	O Ring (JW1530-23)	1
28	891-550-1	Anvil Assembly (P)	1	62	976-877-0	Spring (2.8 x 7.4)	1 ●	ACCESSORIES			
28-1	147-319-6	Anvil Socket	1	63	976-788-0	Spring (3.5 x 25) WPC	2 ●	100	939-091-0	Allen Wrench (1.5)	1
28-2	891-300-1	Pin Assembly	1	64	976-650-0	Spring (3.3 x 16) Weak	1	101	939-105-0	Allen Wrench (4)	1
29	147-440-6	Driving Blade	2	64-1	976-857-0	Spring (3.3 x 17) Standard	1	103	909-449-0	Speed Controller	1
30	147-974-6	Roller (2.5 x 28)	2	64-2	976-662-0	Spring (3.3 x 18) Strong	1				
31	18E-904-3	Front Liner Plate	1	66	977-045-0	Cone Spring (4 x 4.6 x 9)	1				
32	147-905-6	Liner Casing	1	67	977-227-0	Cone Spring (9 x 12 x 25)	1				
33	147-906-6	Liner Casing Cover	1	68	979-358-0	Inner Snap Ring (ISTW-17)	1				
34	174-907-2	Relief Valve Spindle	1	69	981-001-0	Ball (3/32)	1				



10000 SE PINE
PORTLAND, OR 97216
503-254-6600
FAX 503-255-2615

When ordering spare parts, please specify
tool type, part number, and description.

FOOTNOTES

- = Items in Pulse Repair Kit UAT-70S-PRK
- = Items in Pulse Repair Kit UAT-70S-RK