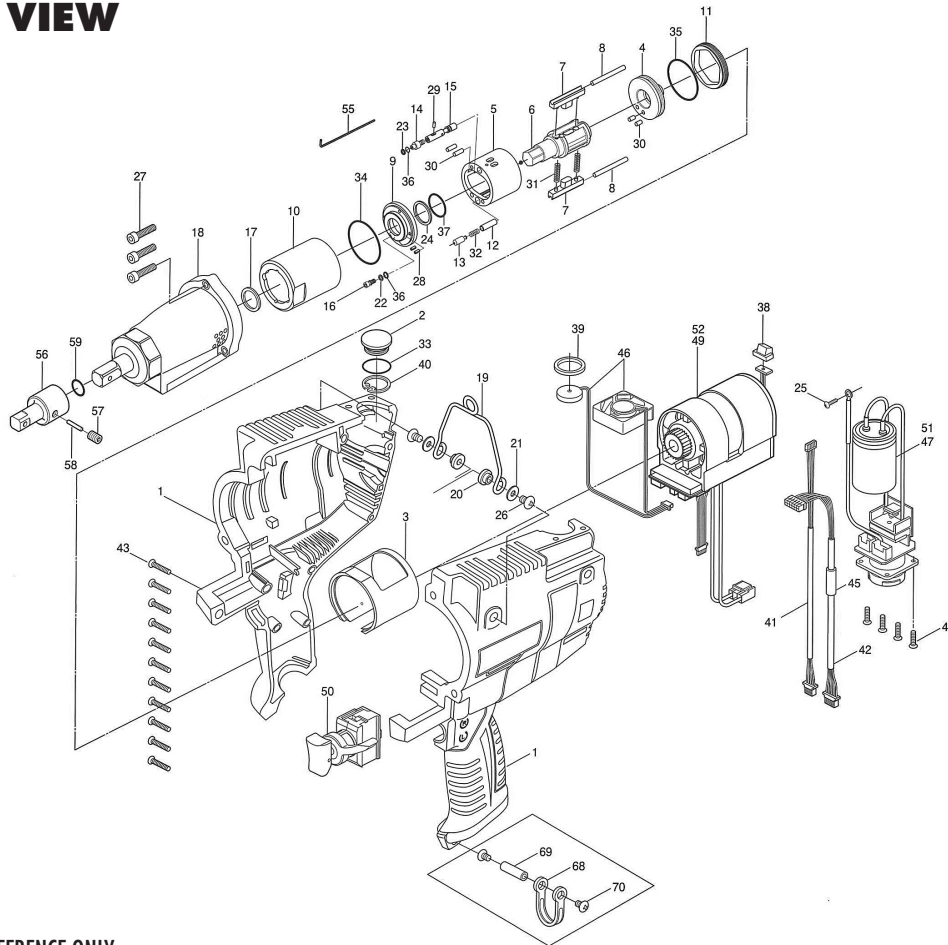


UDP-A100MC & UDP-A120MC OIL PULSE WRENCHES

EXPLODED VIEW



PARTS LIST — FOR REFERENCE ONLY

| Index Number | Part Number | Description | Qty. | Index Number | Part Number | Description | Qty. | Index Number | Part Number | Description | Qty. |
|--------------|-------------|--|------|---|-------------|----------------------------------|------|---|-------------|-------------------------------------|------|
| 1 | 073-025-8 | Handle Set (R & L) | 1 | 29 | 970-091-0 | Pin (H) (2 x 4.5) | 1 | PARTS FOR UDP-A100MC(TL) OR UDP-A120MC(TL) | | | |
| 2 | 073-012-4 | Plug | 1 | 30 | 970-205-0 | Pin (H) (3 x 7) | 4 | Following are needed in place of #44 & #47 or #51 | | | |
| 3 | 073-255-8 | Regulator Barrel | 1 | 31 | 976-783-0 | Spring (3.4 x 36(0.55)WPC | 2 ● | 53 | 910-949-0 | Power Board Assembly for A100MC(TL) | 1 |
| 4 | 073-901-8 | Rear Liner Plate | 1 | 32 | 976-874-0 | Spring (3.4 x 16.6)(0.65) | 1 ● | 71 | 910-999-0 | Power Board Assembly for A120MC(TL) | 1 |
| 5 | 18F-902-8 | Liner | 1 | 33 | 990-919-0 | O-Ring (SNS-22) | 1 | 54 | 957-006-0 | Cross Head Screw (M3 x 6) | 4 |
| 6 | 073-319-8 | Anvil | 1 | 34 | 990-928-0 | O-Ring (SNS-38) | 1 ● | STANDARD ACCESSORIES | | | |
| 7 | 148-440-2 | Driving Blade | 2 | 35 | 990-929-0 | O-Ring (SNS-36) | 1 | 55 | 9369-091-0 | Allen Wrench (1.5) | 1 |
| 8 | 148-974-2 | Roller Pin (3 x 35) | 2 | 36 | 990-970-0 | O-Ring (SNS-2) | 2 ● | 56 | 904-190-0 | Extension Bar (1/2 x 60) | 1 |
| 9 | 18F-904-8 | Front Liner Plate | 1 | 37 | 992-021-0 | SU-Ring (Q16)(NTN) | 1 ● | 57 | 953-205-0 | Allen Head Screw (M5 x 5) | 1 |
| 10 | 148-905-2 | Liner Casing | 1 | 38 | 910-580-0 | Front Cover | 1 | 58 | 971-220-1 | Pin (3 x 20) | 1 |
| 11 | 148-906-2 | Liner Casing Cover | 1 | 39 | 993-102-0 | Rubber Sponge Ring 16 x 20.5 x 2 | 1 | ACCESSORIES FOR UDP-A100MC | | | |
| 12 | 18F-274-8 | Spring Holder | 1 | 40 | 979-320-0 | Inner Snap Ring (IRTW-20) | 1 | 60 | 910-807-0 | Joint Cable Assembly 5M | 1 |
| 13 | 18F-276-9 | Pressure Adjusting Valve | 1 | 41 | 910-996-0 | Communication Cable | 1 | 61 | 910-808-0 | Joint Cable Assembly 10M | 1 |
| 14 | 174-907-2 | Relief Valve Spindle | 1 | 42 | 910-971-0 | Sensor Cable | 1 | 62 | 910-809-0 | Joint Cable Assembly 15M | 1 |
| 15 | 17F-970-3 | Relief Valve | 1 | 43 | 963-253-0 | Tapping Screw 3 x 16 | 11 | 63 | 910-810-0 | Joint Cable Assembly 20M | 1 |
| 16 | 194-742-3 | Oil Plug | 1 | 44 | 963-252-0 | Tapping Screw 3 x 10 | 4 | ACCESSORIES FOR UDP-A120MC | | | |
| 17 | 147-327-9 | Anvil Front Spacer | 1 | 45 | 910-474-0 | Ferrite Core | 1 | 64 | 910-567-0 | Joint Cable Assembly 5M | 1 |
| 18 | 851-665-1 | Sensor Casing Assembly (WD12S) | 1 | 46 | 910-486-0 | Fan Buzzer Assembly | 1 | 65 | 910-598-0 | Joint Cable Assembly 10M | 1 |
| 19 | 851-110-1 | Suspension Ring | 1 | 50 | 09B-174-4 | Switch Assembly | 1 | 66 | 910-569-0 | Joint Cable Assembly 15M | 1 |
| 20 | 193-791-6 | Suspension Receiver | 2 | PARTS FOR UDP-A100MC | | | | 67 | 910-625-0 | Joint Cable Assembly 20M | 1 |
| 21 | 193-792-6 | Suspension Plate | 2 | 47 | 910-948-0 | Power Supply Board Assembly | 1 | OPTIONAL ACCESSORIES | | | |
| 22 | 944-003-0 | Supporting Ring (3.0 x 5.0 x 1) | 1 | 48 | 910-980-0 | Motor Assembly | 1 | 68 | 136-790-7 | Suspension Bail | 1 |
| 23 | 944-203-0 | Supporting Ring (3.1 x 5 x 1) | 1 ● | PARTS FOR UDP-A120MC | | | | 69 | 136-791-7 | Suspension Bail Base | 1 |
| 24 | 944-215-0 | Supporting Ring (16 x 19.9 x 1.5) | 1 ● | 51 | 910-998-0 | Power Supply Board Assembly | 1 | 70 | 945-941-0 | Hexagon Round Head Bolt (M4 x 5) | 2 |
| 25 | 957-004-0 | Cross Pan Head Screw (M3 x 4) | 1 | 52 | 910-481-0 | Motor Assembly | 1 | FOOTNOTES | | | |
| 26 | 945-980-0 | Hexagon Round Head Bolt (M5 x 12) (K2.5) | 2 | ● = Items in Pulse Unit Repair Kit UDP-A100MC-PRK | | | | | | | |
| 27 | 945-120-0 | Allen Head Bolt (M5 x 20) | 3 | | | | | | | | |
| 28 | 969-450-0 | Pin (G) (3 x 8) | 2 | | | | | | | | |



10000 SE PINE
PORTLAND, OR 97216
503-254-6600
FAX 503-255-2615

When ordering spare parts, please specify
tool type, part number, and description.