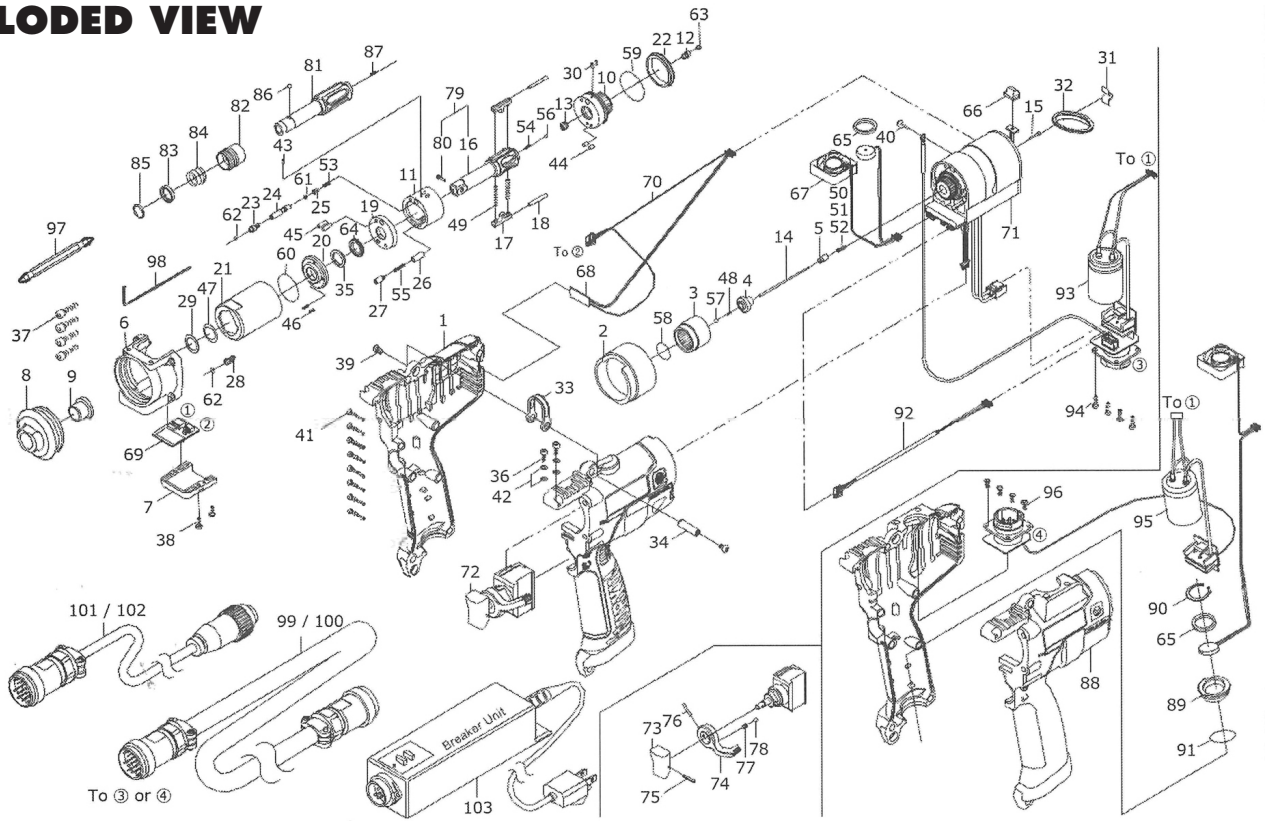


UDP-TA40(B)(-TL), TA40D(B)(-TL) SHUT-OFF ELECTRIC PULSE WRENCHES

EXPLODED VIEW



PARTS LIST — FOR REFERENCE ONLY

Index Number	Part Number	Description	Qty.	Index Number	Part Number	Description	Qty.	Index Number	Part Number	Description	Qty.
1	073-025-6	Handle	1	36	945-000-0	Allen Head Bolt (M3 x 8)	2	71	910-674-0	Electric Motor L=30	1
2	073-255-4	Regulator Barrel	1	37	945-018-0	Allen Head Bolt (M4 x 18)	4	72	098-174-4	Switch Assembly	1
3	073-465-4	Internal Gear	1	38	945-023-0	Allen Head Bolt (2.5 x 8)	2	73	147-107-2	Valve Lever	1
4	078-567-1	Bushing	1	39	945-941-0	Hexagon Round Head Bolt (M4 x 5)	2	74	098-212-5	Reverse Lever	1
5	078-318-1	Pilot Pin	1	40	948-001-0	Round Head Screw (M2.6 x 8)	1	75	973-014-0	Roll Pin (2 x 14)	1
6	078-035-1	Handle Connector	1	41	963-253-0	Tapping Screw 3x16	8	76	973-018-0	Roll Pin (2 x 18)	1
7	078-065-1	Casing Front Cover	1	42	961-008-0	Flat Washer (3 mm)	4	77	976-006-0	Spring 3 x 5 (0.4)	1
8	078-439-1	Front Casing	1	43	970-013-0	Pin (H) (1.5 x 4)	1	78	981-002-0	Ball (1/8)	1
9	190-328-6	Anvil Bushing	1	44	970-130-0	Pin (H) (2.45 x 4.5)	2	79	891-554-1	Anvil CP (P)	1
10	078-901-1	Rear Liner Plate	1	45	970-131-0	Pin (H) (2.45 x 9.5)	2	80	891-300-1	Socket Pin Assembly	1
11	10C-902-1	Liner	1	46	973-040-0	Roll Pin (1.5 x 5)	2	81	145-350-2	Driver Anvil	1
12	145-546-6	Piston	1	47	975-754-0	Adjusting Spacer (17 x 12.5 x t)	1	82	011-351-1	Bit Sleeve	1
13	145-929-6	Check Valve Cover	1	48	976-518-0	Spring (1.9 x 5) (0.3)	1	83	011-352-1	Bit Spacer	1
14	078-650-1	Rod	1	49	976-791-0	Spring 3.3 x 21 (0.4) WPC	2	84	976-327-0	Spring (13.5 x 11)	1
15	910-931-0	Rod Guide	1	50	976-662-0	Spring 3.3 x 18 (0.45) Yellow	1	85	978-117-0	Snap Ring (11.7 x 1.0)	1
16	145-319-0	Anvil	1	51	976-857-0	Spring 3.3 x 17 (0.45) Brown	1	86	981-002-0	Ball (1/8)	1
17	145-440-0	Driving Blade	2	52	976-985-0	Spring 3.3 x 18 (0.45) n=13.5	1	87	976-245-0	Spring 2.6 x 5.5 (0.3)	1
18	145-974-0	Roller Pin (2.5 x 21)	2	53	976-853-0	Spring 2.9 x 7.5 (0.35) n=6.75	1	88	073-025-7	Handle (TL)	1
19	18C-973-8	Liner Casing Spacer	1	54	976-526-0	Spring 2.4 x 5.5 (0.26)	1	89	073-012-4	Handle Cover	1
20	145-904-6	Front Liner Plate	1	55	976-841-0	Spring 3 x 11.4 (0.35)	1	90	979-320-0	Inner Snap Ring (IRTW-20)	1
21	145-905-0	Liner Casing	1	56	981-001-0	Ball (3/32)	1	91	990-919-0	O-Ring (SNS-22)	1
22	145-906-6	Liner Casing Cover	1	57	981-750-0	Ceramic Ball (1/8)	1	92	910-966-0	TM Cable	1
23	145-907-6	Relief Valve Spring	1	58	990-016-0	O-Ring (P16)	1	93	910-991-0	Power Source Board CP	1
24	092-970-8	Relief Valve	1	59	990-329-0	O-Ring (JW1530-19)	1	94	963-252-0	Tapping Screw (3 x 10)	4
25	144-270-0	Pressure Regulator Valve	1	60	990-605-0	O-Ring (25 x 1.45)	1	95	910-992-0	Power Source Board CP (TL)	1
26	080-274-6	Spring Holder	1	61	990-621-0	O-Ring (3.8 x 1.8 x 1.0)	1	96	957-006-0	Cross Pan Head Screw (M3 x 6)	4
27	17C-276-4	Pressure Adjusting Valve	1	62	990-970-0	O-Ring (SNS-2) (NOK)	2	97	916-810-0	(+) Double Bit (No. 2 x 75) for D	1
28	194-742-0	Oil Plug	1	63	991-025-0	X-Ring (4.7 x 2.2 x 1.25)	1	98	939-091-0	Allen Wrench 1.5 (80 x 20)	1
29	145-327-7	Anvil Front Spacer	1	64	991-030-0	X-Ring (X12)	1	99	910-618-0	Joint Cable Assembly 5 M	1
30	150-064-5	Plug	2	65	993-102-0	Rubber Sponge Ring 16 x 20.5 x 2	1	100	910-619-0	Joint Cable Assembly 10 M	1
31	073-792-4	Suspension Bushing	1	66	910-580-0	Front Cover	1	101	910-627-0	Connecting Cable Assembly 5 M	1
32	004-790-2	Suspension Ring	1	67	910-487-0	Fan and Buzzer Assembly	1	102	910-628-0	Connecting Cable Assembly 10 M	1
33	136-790-7	Suspension Bail	1	68	910-987-0	Switch Board Assembly	1	103	910-629-0	Breaker Unit (100/115V)	1
34	136-791-7	Suspension Bail Base	1	69	910-976-0	DC Power Board Assembly	1				
35	944-213-0	Supporting Ring (12 x 16 x 1)	1	70	910-967-0	Connector Wire	1				

FOOTNOTES



10000 SE PINE
PORTLAND, OR 97216
503-254-6600
FAX 503-255-2615

When ordering spare parts, please specify
tool type, part number, and description.