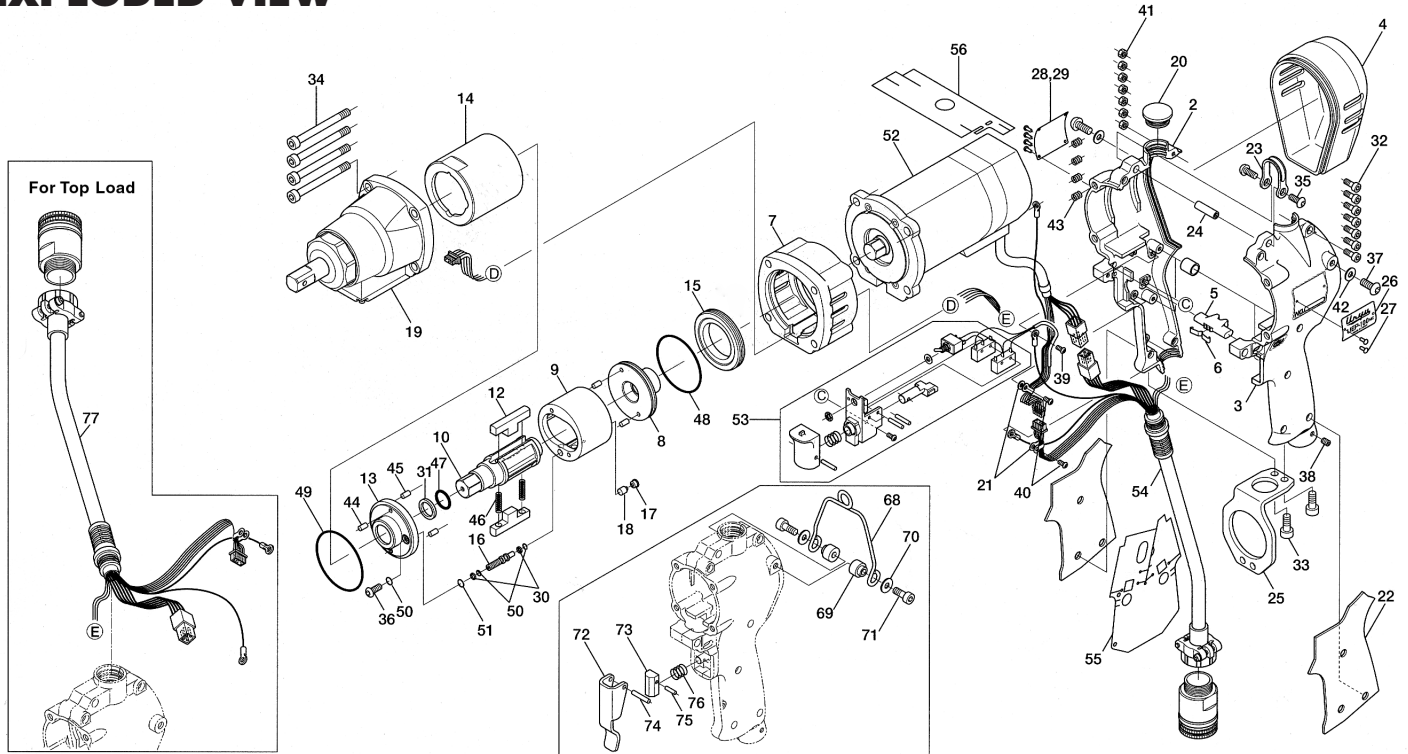


UEP-100MC SERIES ELECTRIC OIL-PULSE TOOL

EXPLODED VIEW



PARTS LIST — FOR REFERENCE ONLY

Index Number	Part Number	Description	Qty.	Index Number	Part Number	Description	Qty.	Index Number	Part Number	Description	Qty.
1	137-004-0	Handle Assembly	1	34	945-265-0	Allen Head bolt (M6 x 65)	4	PARTS FOR 115V			
2	137-025-0	Handle Set	1 ●	35	945-941-0	Hexagon Round Head Bolt (M4 x 5)	2	60	910-847-0	Driver Box UEPD-101A-UL	1
3	137-083-0	Handle Supporter	1 ●	36	945-942-0	Hexagon Round Head Bolt (M4 x 6)	1	61	910-217-0	Power Cable	1
4	137-012-2	Head Cover	1	37	945-949-0	Hexagon Round Head Bolt (M5 x 6)	2	ACCESSORIES			
5	136-212-8	Reverse Lever	1	38	954-105-0	Allen Head Cone Point Screw (M4 x 5)	1	62	910-532-0	Coil Cable Assembly	1
6	136-217-7	Plate Spring	1	39	957-106-0	Cross Pan Head Screw (M4 x 6)	1	63	910-546-0	Joint Cable Assembly (3 M)	1
7	137-027-9	Separator	1	40	957-215-0	Cross Pan Head Screw (M3 x 5)	2	64	910-547-0	Joint Cable Assembly (5 M)	1
8	137-901-9	Liner Rear Plate	1	41	960-020-0	Hexagon Nut (1-M3)	7 ●	65	910-548-0	Joint Cable Assembly (10 M)	1
9	194-902-4	Liner	1	42	961-012-0	Flat Washer (5 MM)	2	66	910-623-0	Sensor Cable Assembly (CE)	1
10	137-319-9	Anvil	1	43	965-021-0	Heli-Sert (M6 x 1.5D)	4	67	910-632-0	Connecting Cover	1
12	194-440-4	Driving Blade	2	44	969-450-0	Pin (G)(3 x 8)	1	OPTION: 851-106-1 SUSPENSION RING ASSEMBLY			
13	194-904-4	Liner Front Plate	1	45	970-206-0	Pin (H)(3 x 8)	4	68	851-107-1	Suspension Ring	1
14	194-905-4	Liner Casing	1	46	976-786-0	Spring (4.5 x 34.5)(0.55) WPC	2 ■	69	193-791-6	Suspension Receiver	2
15	194-906-4	Liner Casing Setter	1	47	990-156-0	O-Ring (P16) (NTN)	1 ■	70	193-792-6	Suspension Plate	2
16	194-907-4	Relief Valve Spindle	1	48	990-930-0	O-Ring (SNS-40)	1	71	945-112-0	Allen Head Bolt (M5 x 12)	2
17	194-969-4	Relief Valve Plate	1	49	990-932-0	O-Ring (SNS-42)	1 ■	OPTION: 851-104-1 LEVER ASSEMBLY			
18	195-970-3	Relief Valve	1	50	990-971-0	O-Ring (SNS-3) (NOK)	3 ■	72	163-107-6	Valve Lever	1
19	851-689-1	Sensor Casing Assembly (D12S)	1	51	990-974-0	O-Ring (SNS-6) (NOK)	1 ■	73	850-952-1	Valve Rod Cap	1
20	136-064-7	Plug	1	52	910-509-0	Electric Motor	1	74	970-222-0	Pin (H)(3 x 22)	1
21	136-670-7	Band	2	53	910-602-0	Starting Switch Assembly	1	75	970-102-0	Pin (H)(2 x 16)	1
22	136-842-0	Handle Cover	1	54	910-526-0	Handle Cable Assembly (CE 1.8)	1	76	976-296-0	Spring (10.2 x 15)(0.6)	1
23	136-790-7	Suspension Bail	1	55	910-660-0	Insulation Sheet (Grip)	1	OPTION: FOR TOP LOAD			
24	136-791-7	Suspension Bail Base	1	56	910-664-0	Insulation Sheet (Motor 80)	1	77	910-528-0	Handle Cable Assembly (CE)	1
25	136-794-7	Suspension Plate	1	57	909-697-0	Shrink Tube (9 x 10)	1	FOOTNOTES			
26	137-924-9	Name Plate	1	PARTS FOR 230V				● = Handle Assembly Components			
27	930-205-0	Driver Rivet (No.0 x 2.6)	6	58	910-843-0	Driver Box UEPD-101E-CE	1	■ = Items in Pulse Repair Kit UEP-100MC-PRK			
28	137-993-1	Name Plate (Spec.)(230V)	1	59	910-218-0	Power Cable	1	When ordering spare parts, please specify tool type, part number, and description.			
29	137-993-9	Name Plate (Spec.)(115V)	1								
30	944-003-0	Supporting Ring (3 x 5 x 1)	1 ■								
31	944-215-0	Supporting Ring (16 x 19.9 x 1.5)	1 ■								
32	945-016-0	Allen Head Bolt (M3 x 15)	7 ●								
33	945-112-0	Allen Head Bolt (M5 x 12)	2								



10000 SE PINE
PORTLAND, OR 97216
503-254-6600
FAX 503-255-2615

When ordering spare parts, please specify tool type, part number, and description.

FOOTNOTES

- = Handle Assembly Components
- = Items in Pulse Repair Kit UEP-100MC-PRK