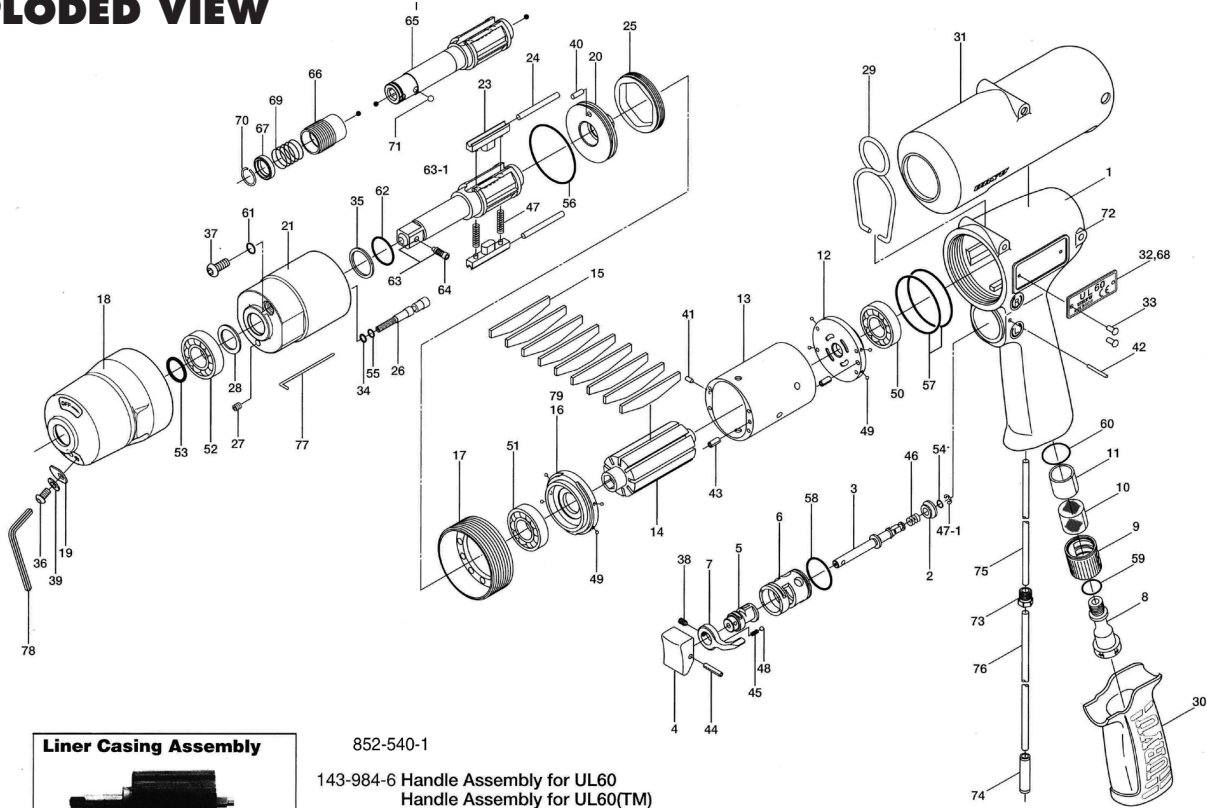


UL-60, UL-60D SERIES OIL-PULSE WRENCHES

EXPLODED VIEW



852-540-1
 143-984-6 Handle Assembly for UL60
 Handle Assembly for UL60(TM)
 Components
 (#1 for UL60) or #72 for UL60 (TM).
 #2, #3, #4, #5, #6, #7, #8, #38, #42,
 #44, #45, #46, #48, #54, #58

PARTS LIST — FOR REFERENCE ONLY

Index Number	Part Number	Description	Qty.	Index Number	Part Number	Description	Qty.	Index Number	Part Number	Description	Qty.
1	143-025-2	Handle	1	32	143-924-6	Metal Tag	1	57	990-337-0	O-Ring (JW1530-27)	2 ■
2	147-100-3	Valve	1	33	930-205-0	Driver Rivet No.0 x 2.6	2	58	990-912-0	O-Ring (SNS-14)	1
3	147-104-2	Valve Rod	1	34	944-002-0	Supporting Ring (2.6 x 4.5 x 11)	1 ●	59	990-914-0	O-Ring (SNS-16)	1
4	147-107-2	Valve Lever	1	35	944-213-0	Supporting Ring (12 x 16 x 1)	1 ●	60	990-916-0	O-Ring (SNS-18)	1
5	147-210-2	Reverse Valve	1	36	945-935-0	Hexagon Round Head Bolt (M3 x 6)	1	61	990-971-0	O-Ring (SNS-3) (NOK)	1 ●
6	147-211-2	Reverse Valve Bushing	1	37	945-942-0	Hexagon Round Head Bolt (M4 x 6)	1	62	992-020-0	SU-Ring (Q12) (NTN)	1 ●
7	098-212-5	Reverse Lever	1	38	952-106-0	Allen Head Dog Point Screw (M4 x 6)	1	63	891-561-1	Anvil (P)	1
8	147-091-2	Air Inlet Bushing	1	39	961-030-0	Flat Washer (3 mm)	1	63-1	143-319-7	Anvil (O)	1
9	147-780-3	Exhaust Stack	1	40	970-148-0	Pin (H) (2.5 x 3.8)	1	64	891-300-1	Socket Pin Assembly (3/8)	1
10	147-042-2	Silencer	1	41	971-102-0	Pin (2 x 3.8)	1	PARTS FOR UL60D			
11	147-835-3	Filter (K200)	1 ■	42	971-123-0	Pin (2 x 23)	1	65	143-350-7	Driver Anvil	1
12	147-285-2	Rear Plate	1	43	973-008-0	Roll Pin (2 x 8)	2	66	011-351-1	Bit Sleeve (1/8)	1
13	147-286-2	Cylinder	1	44	973-014-0	Roll Pin (2 x 14)	1	67	011-352-1	Bit Spacer	1
14	147-287-3	Rotor	1	45	976-006-0	Spring (3 x 5)	1	68	143-924-7	Metal Tag	1
15	147-288-2	Blade (PC)	9 ■	46	976-457-0	Spring (7 x 12) (0.9)	1	69	976-327-0	Spring (13.5 x 11) (0.9)	1
16	147-289-3	Front Plate	1	47	976-788-0	Spring (3.5 x 25) (0.45) WPC	2 ●	70	978-117-0	Snap Ring (11.7 x 1.0)	1
17	147-036-2	Hammer Casing Connector	1	47-1	979-405-0	Outer Snap Ring (E2.5)	1	71	981-002-0	Ball (1/8)	1
18	143-439-6	Front casing	1	48	981-002-0	Ball (1/8)	1	PARTS FOR (TM)-TYPE			
19	143-243-8	Regulator Valve Cover	1	49	981-045-0	Ball (1.5)	8	72	852-524-1	Handle	1
20	143-901-6	Rear Liner Plate	1	50	982-014-0	Ball Bearing (607)	1 ■	73	850-610-1	Connecting Screw	1
21	143-902-6	Liner	1	51	982-902-0	Ball Bearing (6901)	1 ■	74	933-250-0	One-touch Connector (SLS-04)	1
22	143-440-6	Driving Blade	2	52	982-922-0	Ball Bearing (6901ZZ)	1	75	935-240-0	Nylon Tube (13NY)	1
23	143-974-6	Roller (2.5 x 25)	2	53	993-100-0	Rubber Sponge Ring (12 x 16.5 x 2)	1	76	935-350-0	Polyurethane Hose (F-1504)	1
24	143-976-6	Liner Casing Cover	1	54	990-306-0	O-Ring (ARP-568-004) (H)	1	79	852-529-1	Front Plate	1
25	143-906-3	Relief Valve	1	55	990-320-0	O-Ring (ARP-568-003)	1 ●	ACCESSORIES			
26	143-970-6	Relief Valve Plate	1	56	990-331-0	O-Ring (JW1530-21)	1 ●	77	939-091-0	Allen Wrench (1.5)	1
27	136-969-7	Relief Valve Plate	1					78	939-107-0	Allen Wrench (2)	1
28	178-327-0	Anvil Front Spacer	1								
29	143-790-3	Suspension Ring	1								
30	147-842-2	Handle Cover	1								
31	143-840-3	Handle Protector	1								



10000 SE PINE
 PORTLAND, OR 97216
 503-254-6600
 FAX 503-255-2615

When ordering spare parts, please specify tool type, part number, and description.

FOOTNOTES

- = Items in Pulse Repair Kit UL-60D-PRK
- = Items in Repair Kit UL-60D-RK