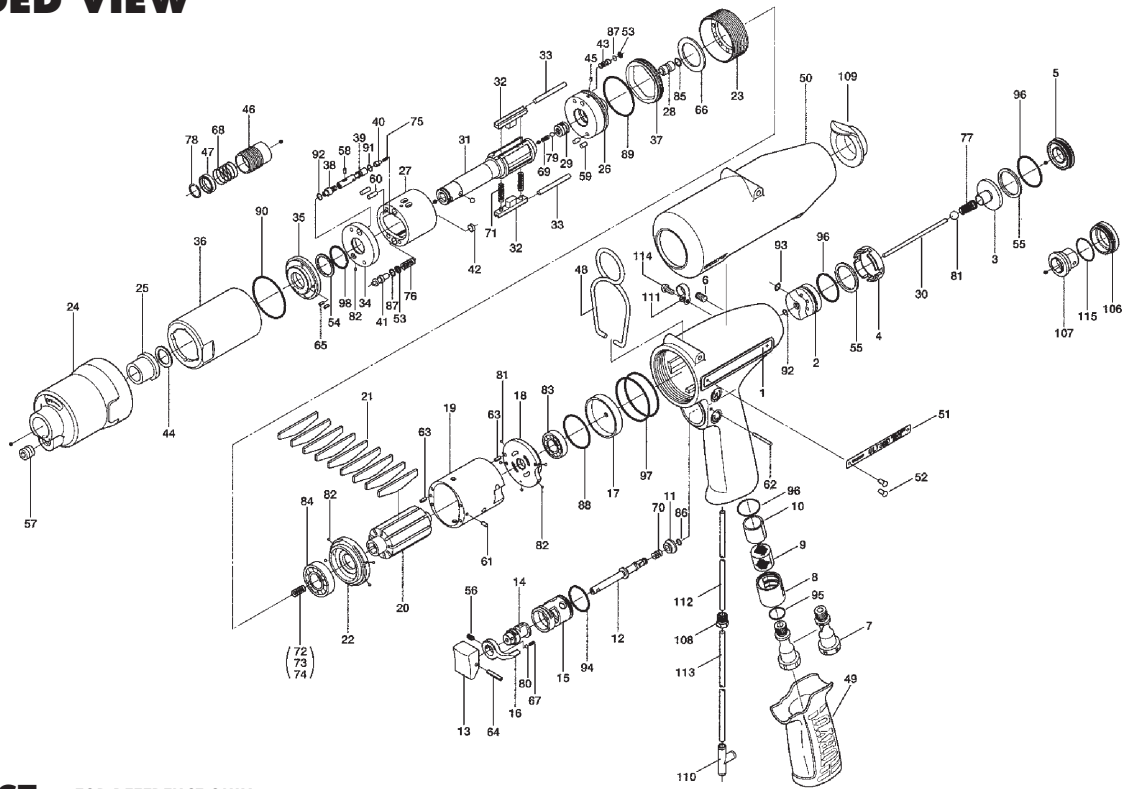


# ULT-30D SERIES OIL-PULSE WRENCHES

## EXPLODED VIEW



## PARTS LIST — FOR REFERENCE ONLY

Index Number	Part Number	Description	Qty.	Index Number	Part Number	Description	Qty.	Index Number	Part Number	Description	Qty.
1	18A-025-0	Handle	1	40	144-270-0	Valve	1	78	978-117-0	Snap Ring (11.7 x 1.0)	1
2	145-253-0	Shut-Off Valve Bushing	1	41	145-972-6	Accumulator	1	79	981-001-0	Ball (3/32)	1
3	145-254-6	Shut-Off Valve	1	42	145-908-7	Accumulator Cover	1	80	981-002-0	Ball (1/8)	2
4	145-684-6	Cushion Spacer	1	43	178-742-0	Oil Plug	1	81	981-003-0	Ball (5/32)	1
5	145-019-6	Valve Cover	1	44	145-327-7	Anvil Front Spacer	1	82	981-045-0	Ball (1.5)	10
6	150-108-5	Valve Plug	1	45	150-064-5	Plug	1	83	982-014-0	Ball Bearing (607)	1 ●
7	147-091-2	Air Inlet Bushing	1	46	011-351-1	Bit Sleeve (1/8)	1	84	982-901-0	Ball Bearing (6900)	1 ●
8	147-780-3	Exhaust Stack	1	47	011-352-1	Bit Spacer	1	85	990-305-0	O-Ring (ARP568-003) (KS)	1
9	147-042-2	Silencer	1	48	174-790-0	Suspension Ring	1	86	990-306-0	O-Ring (ARP-568-004) (H)	1
10	145-835-6	Filter (K200)	1 ●	49	147-842-2	Handle Cover	1	87	990-320-0	O-Ring (ARP568-003)	2
11	147-100-2	Valve	1	50	145-840-7	Casing Cover	1	88	990-327-0	O-Ring (JW1530-18)	1
12	142-104-6	Valve Rod	1	51	144-924-0	Name Plate	1	89	990-327-0	O-Ring (JW1530-18)	1
13	147-107-2	Valve Lever	1	52	930-205-0	Pin (NO.0 x 2.6)	2	90	990-605-0	O-Ring (25 x 1.45)	1
14	147-210-2	Reverse Valve	1	53	944-002-0	Supporting Ring (2.6 x 4.5 x 1)	2	91	990-621-0	O-Ring (3.8 x 1.8 x 1.0)	1
15	147-211-2	Reverse Valve Bushing	1	54	944-212-0	Supporting Ring (12 x 16 x 1.5)	1	92	990-900-0	O-Ring (SNS-2)	2
16	098-212-5	Reverse Lever	1	55	944-217-0	Supporting Ring (14 x 20 x 1.8)	2	93	990-901-0	O-Ring (SNS-3)	1
17	145-291-7	Rear Plate Spacer	1	56	952-106-0	Allen Head Dog Point Screw (M4 x 6)	1	94	990-912-0	O-Ring (SNS-14)	1
18	144-285-0	Rear Plate	1	57	966-099-0	Allen Head Plug (NPT1/16)GDL	1	95	990-914-0	O-Ring (SNS-16)	1
19	144-286-0	Cylinder	1	58	970-013-0	Pin (H) (1.5 x 4)	1	96	990-916-0	O-Ring (SNS-18)	3
20	144-287-0	Rotor	1	59	970-130-0	Pin (H) (2.45 x 4.5)	2	97	990-925-0	O-Ring (SNS-32)	2 ●
21	144-288-0	Blade (PC)	9 ●	60	970-131-0	Pin (H) (2.45 x 9.5)	2	98	992-020-0	SU-Ring (Q12) (NTN)	1
22	144-289-0	Front Plate	1	61	971-102-0	Pin (2 x 3.8)	1	<b>PARTS FOR (TM) TYPE</b>			
23	144-036-0	Hammer Casing Connector	1	62	971-123-0	Pin (2 x 23)	1	104	852-558-1	Handle	1
24	144-439-0	Front Casing	1	63	973-008-0	Roll Pin (2 x 8)	2	106	851-017-1	Valve Cover	1
25	190-328-6	Anvil Bushing	1	64	973-014-0	Roll Pin (2 x 14)	1	107	851-050-1	Valve Spacer	1
26	18A-901-0	Rear Liner Plate	1	65	973-040-0	Roll Pin (1.5 x 5)	2	108	850-610-1	Connecting Screw	1
27	144-902-0	Liner	1	66	975-752-0	Adjusting Spacer (15 x 10 x T)	1	109	851-060-1	Cap	1
28	145-546-6	Piston	1	67	976-006-0	Spring (3 x 5)	1	110	909-442-0	Quick Exhaust (AQ240F-04-00)	1
29	145-929-6	Check Valve Cover	1	68	976-327-0	Spring (13.5 x 11)	1	111	929-050-0	Coupling	1
30	145-130-0	Operating Rod (2.1 x 50.9)	1	69	976-651-0	Spring (2.4 x 5) (0.23)	1	112	935-240-0	Nylon Tube (18NY)	1
31	144-350-0	Driver Anvil	1	70	976-457-0	Spring (7 x 12) (0.9)	1	113	935-350-0	Polyurethane Hose (F1504)	1
32	144-440-0	Driving Blade	2	71	976-782-0	Spring (3.3 x 16) (0.4) WPC	2	114	957-006-0	Cross Pan Head Screw	1
33	145-974-0	Roller (2.5 x 21)	2	72	976-650-0	Spring (3.3 x 16) (0.45) [Standard]	1	115	990-916-0	O-Ring (SNS-18)	1
34	144-973-0	Liner Casing Spacer	1	73	976-688-0	Spring (3.3 x 17.5) (0.4) [Weak]	1	116	909-449-0	Speed Controller (AS1001F-04)	1
35	144-904-0	Front Liner Plate	1	74	976-661-0	Spring (3.3 x 17) (0.4) (Black)	1	<b>ACCESSORIES</b>			
36	144-905-0	Liner Casing	1	75	976-756-0	Spring (2.8 x 6.9) (0.35)	1	101	939-091-0	Allen Wrench (1.5 mm)	1
37	144-906-0	Liner Casing Cover	1	76	976-674-0	Spring (4.3 x 14) (0.55)	1	102	939-105-0	Allen Wrench (4 mm)	1
38	145-907-6	Relief Valve Spindle	1	77	977-063-0	Cone Spring (4.1 x 4.7 x 9) (0.45)	1	<b>FOOTNOTES</b>			
39	144-970-0	Relief Valve	1					● = Items in Repair Kit ULT-30D-RK			



10000 SE PINE  
PORTLAND, OR 97216  
503-254-6600  
FAX 503-255-2615

When ordering spare parts, please specify  
tool type, part number, and description.

### FOOTNOTES

● = Items in Repair Kit ULT-30D-RK