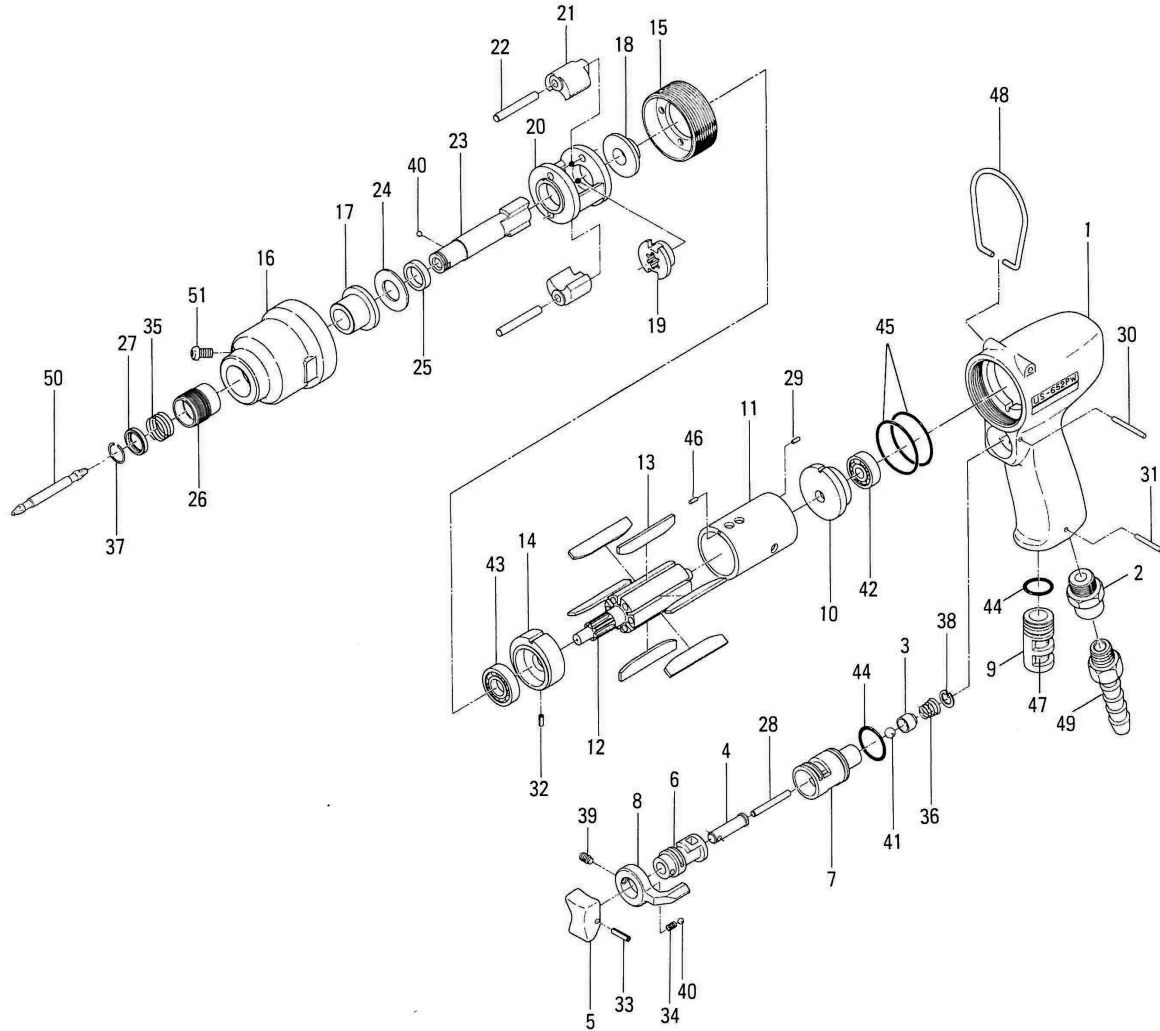


US-652PW SCREWDRIVERS

EXPLODED VIEW



PARTS LIST — FOR REFERENCE ONLY

Index Number	Part Number	Description	Qty.	Index Number	Part Number	Description	Qty.	Index Number	Part Number	Description	Qty.
1	480-025-8	Handle	1	19	004-311-1	Hammer Cam	1	37	978-117-0	Snap Ring (11.7 x 10)	1
2	480-091-8	Air Inlet Bushing	1	20	004-312-1	Hammer Cage	1	38	979-002-0	Inner Snap Ring (9)	1
3	480-100-9	Valve	1	21	004-313-1	Hammer	2	39	952-106-0	Allen Head Dog Point Screw (M4 x 6)	1
4	480-103-9	Valve Rod Bushing	1	22	004-317-1	Hammer Pin	2	40	981-002-0	Ball (1/8)	2
5	480-107-8	Valve Lever	1	23	005-350-1	Driver Anvil	1	41	981-206-0	Ball (1/4) Black	1
6	480-210-9	Reverse Valve	1	24	010-327-1	Anvil Front Spacer	1	42	982-401-0	Ball Bearing (EE-2 R4A)	1
7	480-211-9	Reverse Valve Bushing	1	25	004-326-1	Hammer Cage Bushing	1	43	982-402-0	Ball Bearing (EE-3 R6)	1
8	09B-212-5	Reverse Lever	1	26	011-351-1	Bit Sleeve	1	44	990-912-0	O-Ring (SNS14)	2
9	480-780-8	Exhaust Stack	1	27	011-352-1	Bit Spacer	1	45	990-935-0	O-Ring (SNS31.5)	2
10	480-285-7	Rear Plate	1	28	970-228-0	Pin (H) (3 x 28)	1	46	971-051-0	Pin (1.2 x 12)	1
11	480-286-7	Cylinder	1	29	971-045-0	Pin (1.2 x 5)	1	47	480-835-8	Filter	1
12	476-287-0	Rotor	1	30	971-123-0	Pin (2 x 23)	1	48	010-790-1	Suspension Ring	1
13	252-288-1	Blade	6	31	971-120-0	Pin (2 x 20)	1	51	945-942-0	Hexagon Round Head Bolt (M4 x 6)	1
14	480-289-7	Front Plate	1	32	973-006-0	Roll Pin (2 x 6)	1				
15	480-036-8	Hammer Casing Connector	1	33	973-012-0	Roll Pin (2 x 12)	1				
16	480-028-8	Hammer Casing	1	34	976-006-0	Spring (3 x 5 x 0.4)	1				
17	476-328-1	Anvil Bushing	1	35	976-327-0	Spring (13.5 x 11 x 0.9)	1				
18	481-310-4	Anvil Rear Spacer	1	36	977-150-0	Cone Spring (6.8 x 8.5 x 8)	1				

FOOTNOTES



10000 SE PINE
PORTLAND, OR 97216
503-254-6600
FAX 503-255-2615

When ordering spare parts, please specify tool type, part number, and description.