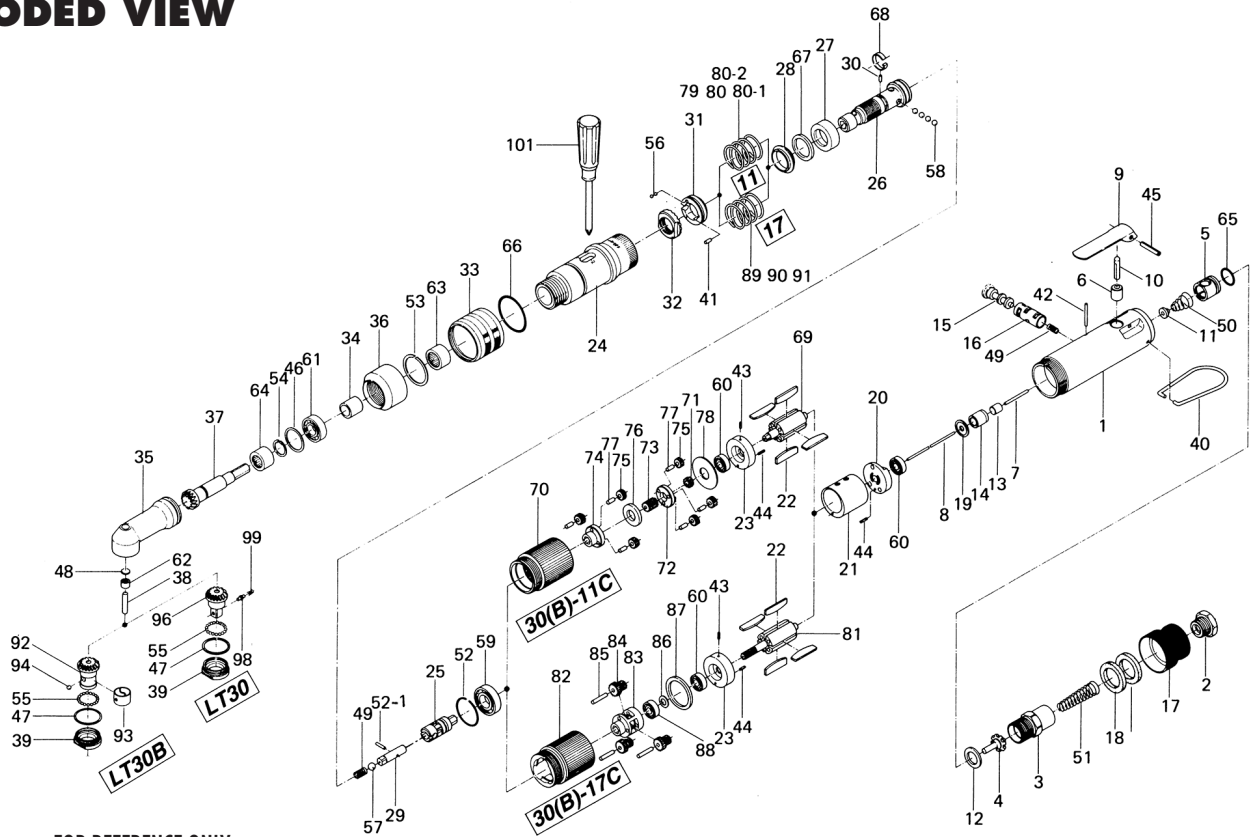


US-LT30B-11C, -17C ANGLE SCREWDRIVERS

EXPLODED VIEW



PARTS LIST — FOR REFERENCE ONLY

Index Number	Part Number	Description	Qty.	Index Number	Part Number	Description	Qty.	Index Number	Part Number	Description	Qty.	
1	469-025-5	Casing	1	39	469-488-5	Angle Casing Cover	1	74	471-485-7	Second Gear Cage	1	
2	480-091-8	Air Inlet Bushing	1	40	401-790-1	Suspension Ring	1	75	471-471-7	Second Planet Gear	6	
3	461-097-6	Air Inlet Connector	1	41	970-091-0	Pin (2 x 4.5)	1	76	471-483-7	Gear Cage Spacer	1	
4	259-100-0	Valve	1	42	972-020-0	Roller Pin (2 x 19.8) (A)	1	77	972-033-0	Roller Pin (2.5 x 8)	6	
5	461-102-6	Valve Bushing	1	43	973-001-0	Roll Pin (1.5 x 6)	1	78	975-178-0	Spacer (26 x 10 x 1.5)	1	
6	553-103-1	Valve Rod Bushing	1	44	973-003-0	Roll Pin (1.5 x 8)	2	79	976-472-0	Spring (20.6 x 22) (2.1) (Blue-Standard)	1	
7	970-105-0	Pin (H) (2 x 24)	1	45	973-118-0	Roll Pin (3 x 18)	1	80	976-493-0	Spring (20.8 x 22) (2.00) (Red-Weak)	1	
8	462-104-7	Valve Rod	1	46	975-768-0	Adjusting Spacer (19 x 16.2 x T)	1	80-1	976-471-0	Spring (19.4 x 22) (1.6) (Pink-Weaker)	1	
9	700-107-1	Valve Lever	1	47	975-771-0	Adjusting Spacer (20 x 18 x T)	1	80-2	976-504-0	Spring (21 x 22) (2.3) (Black-Strong)	1	
10	469-114-5	Valve Pin	1	48	975-590-0	Round Plate (6.3 x 1)	1	PARTS FOR US-LT30B-17C				
11	259-254-0	Shut-Off Valve	1	49	976-058-0	Spring (4.5 x 11) (0.4)	2	81	471-287-5	Rotor	1	
12	996-424-0	Packing (16 x 9 x 2)	1	50	977-071-0	Cone Ring (5.5 x 11.5 x 15)	1	82	471-029-5	Gear Casing	1	
13	444-106-8	Valve Rod Cap	1	51	977-155-0	Cone Spring (7 x 10 x 35)	1	83	471-480-5	Gear Cage	1	
14	461-567-6	Bushing	1	52	978-229-0	Snap Ring (23 x 1)	1	84	471-470-5	Planet Gear	3	
15	893-056-1	Reverse Valve (Lock)	1	52-1	969-470-0	Pin (2 x 8)	1	85	972-036-0	Roller Pin (2.5 x 15.8) (A)	3	
16	471-211-7	Reverse Valve Bushing	1	53	979-190-0	Outer Snap Ring (22)	1	86	975-009-0	Spacer (9 x 5.2 x 0.3)	1	
17	408-782-1	Exhaust Deflector	1	54	979-351-0	Inner Snap Ring (ISTW-10)	1	87	975-188-0	Spacer (26 x 20 x 1.5)	1	
18	471-835-5	Filter (F100)	2	55	981-000-0	Ball (1/16)	26	88	987-013-0	Miniature Ball Bearing (R-1350)	1	
19	469-291-5	Rear Plate Spacer	1	56	981-001-0	Ball (3/32)	2	89	976-493-0	Spring (20.8 x 22) (2.0) (Red-Standard)	1	
20	471-285-7	Rear Plate	1	57	981-004-0	Ball (3/16)	1	90	976-471-0	Spring (19.4 x 22) (1.6) (Pink-Weaker)	1	
21	471-286-7	Cylinder	1	58	981-003-0	Ball (5/32)	4	91	976-472-0	Spring (20.6x22) (2.1) (Blue-Strong)	1	
22	471-288-0	Blade (PC)	4	59	982-901-0	Ball Bearing (6900)	1	PARTS FOR US-LT30B				
23	471-289-7	Front Plate	1	60	987-041-0	Miniature Ball (R-1350ZZ)	2	92	469-430-5	Driven Gear	1	
24	469-369-6	Clutch Casing	1	61	982-035-0	Ball Bearing (698)	1	93	430-356-1	Bit Band	1	
25	471-346-5	Cam	1	62	988-090-0	Needle Roller Bearing (B-24)	1	94	981-002-0	Ball (1/8)	1	
26	471-319-2	Anvil	1	63	988-394-0	Needle Roller (FJ-1210)	1	PARTS FOR US-LT30				
27	471-375-8	Cam Ring	1	64	469-421-5	Bushing	1	96	469-430-8	Driven Gear	1	
28	471-164-8	Spring Setter	1	65	990-911-0	O-Ring (SNS-12)	1	98	981-002-0	Ball (1/8)	1	
29	471-318-5	Pilot Pin	1	66	990-923-0	O-Ring (SNS-26)	1	99	976-346-0	Spring (2.9 x 6.35) (0.4)	1	
30	471-764-7	Notch Pin	1	67	944-016-0	Back-up Ring (P-16)	1	101	939-402-0	Manual Driver (No.2) (Ø5)	1	
31	471-562-7	Spring Holder	1	68	471-670-7	Band	1	FOOTNOTES				
32	471-257-7	Regulating Screw	1	PARTS FOR US-LT30B-11C								
33	472-370-7	Clutch Casing Sleeve	1	69	471-287-7	Rotor	1					
34	469-807-5	Spacer	1	70	471-029-7	Gear Casing	1					
35	469-441-7	Angle Casing	1	71	471-460-7	Rotor Gear	1					
36	469-081-6	Connecting Nut	1	72	471-480-7	First Gear Cage	1					
37	469-420-5	Driving Gear	1	73	471-445-7	Middle Gear	1					
38	469-431-6	Driven Gear Collar	1									



10000 SE PINE
PORTLAND, OR 97216
503-254-6600
FAX 503-255-2615

When ordering spare parts, please specify
tool type, part number, and description.