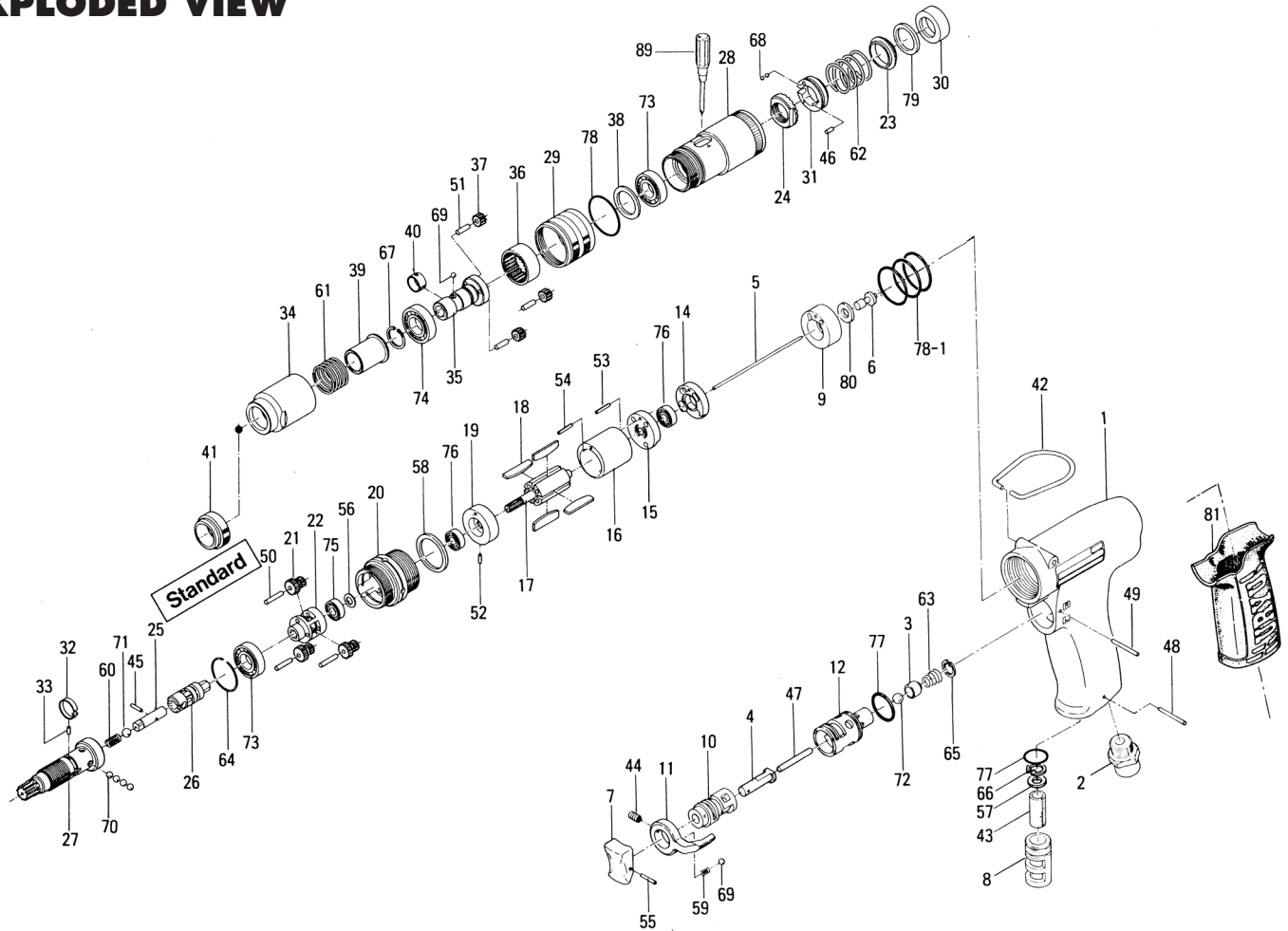


US-LT31PB-05 PISTOL-TYPE SCREWDRIVER

EXPLODED VIEW



PARTS LIST — FOR REFERENCE ONLY

Index Number	Part Number	Description	Qty.	Index Number	Part Number	Description	Qty.	Index Number	Part Number	Description	Qty.
1	442-025-5	Casing	1	30	471-375-8	Cam Ring	1	57	975-026-0	Spacer (11 x 3.9 x 2)	1
2	480-091-8	Air Inlet Bushing	1	31	471-562-7	Retainer	1	58	975-188-0	Spacer (26 x 20 x 1.5)	1
3	480-100-9	Valve	1	32	471-670-7	Band	1	59	976-006-0	Spring (3 x 5 (0.4))	1
4	443-103-5	Valve Rod Bushing	1	33	471-764-7	Notch Pin	1	60	976-058-0	Spring (4.5 x 11 (0.41))	1
5	442-104-4	Valve Hod	1	34	462-029-9	Gear Casing	1	61	976-450-0	Spring (18.5 x 10 (10))	1
6	443-254-5	Shut-Off Valve	1	35	462-319-9	Anvil	1	62	976-493-0	Spring (20.8 x 22) (2.0) (Red-Standard)	1
7	177-107-5	Valve Lever	1	36	462-466-9	Second Internal Gear	1	63	977-150-0	Cone Spring (6.8 x 8.5 x 8 (0.4))	1
8	480-780-8	Silencer	1	37	462-471-9	Second Planet Gear	3	646	978-229-0	Snap Ring (23 x 1)	1
9	442-282-5	Shut-Off Valve Bushing	1	38	462-487-9	Second Gear Cage Spacer	1	65	979-002-0	Inner Snap Ring (9)	1
10	480-210-9	Reverse Valve	1	39	471-351-6	Bit Sleeve	1	66	979-004-0	Inner Snap Ring (11)	1
11	09B-212-5	Reverse Lever	1	40	471-356-7	Bit Band	1	67	979-353-0	Inner Snap Ring (ISTW-12)	1
12	480-211-9	Reverse Valve Bushing	1	41	471-567-6	Bushing	1	68	981-001-0	Ball (3/32)	2
14	442-291-4	Rear Plate Spacer	1	42	010-790-1	Suspension Ring	1	69	981-002-0	Ball (1/8)	2
15	471-285-7	Rear Plate	1	43	442-835-4	Filter	1	70	981-003-0	Ball (5/32)	4
16	442-286-4	Cylinder	1	44	952-106-0	Allen Head Dog Point Screw (M4 x 6)	1	71	981-004-0	Ball (3/16)	1
17	471-287-5	Rotor	1	45	969-470-0	Pin (E) (2 x 8)	1	72	981-206-0	Ball (1/4)	1
18	471-288-0	Blade (PC)	4	46	970-091-0	Pin (2 x 4.5)	1	73	982-901-0	Ball Bearing (6900)	2
19	471-289-7	Front Plate	1	47	970-228-0	Pin (3 x 28)	1	74	982-902-0	Ball Bearing (6901)	1
20	462-030-9	First Gear Casing	1	48	971-120-0	Pin (2 x 20)	1	75	987-013-0	Miniature Ball Bearing (R-1350)	1
21	471-470-5	First Planet Gear	3	49	971-123-0	Pin (2 x 23)	1	76	987-041-0	Miniature Ball Bearing (1350ZZ)	2
22	471-480-5	Gear Cage	1	50	972-036-0	Roller Pin (2.5 x 15.8A)	3	77	990-912-0	C-Ring (SNS-14)	2
23	471-164-8	Spring Holder	1	51	972-090-0	Roller Pin (3 x 10)	3	78	990-919-0	O-Ring (SNS-22)	1
24	471-257-7	Adjusting Screw	1	52	973-001-0	Roll Pin (1.5 x 6)	1	78-1	990-917-0	O-Ring (SNS-24)	3
25	471-318-5	Pilot Pin	1	53	973-002-0	Roll Pin (1.5 x 15)	1	79	944-016-0	Back-up Ring (P16)	1
26	471-346-5	Cam	1	54	973-003-0	Roll Pin (1.5 x 8)	2	80	996-411-0	Packing (11 x 6 x 1)	1
27	462-654-9	Cam Guide	1	55	973-012-0	Roll Pin (2 x 12)	1	89	939-402-0	Manual Driver No.2	1
28	462-369-9	Clutch Casing	1	56	975-009-0	Spacer (9 x 5.2 x 0.3)	1	90	976-471-0	Spring (19.4 x 22 (1.6)) (Pink-Weak)	1
29	462-370-9	Clutch Casing Sleeve	1								

FOOTNOTES



10000 SE PINE
PORTLAND, OR 97216
503-254-6600
FAX 503-255-2615

When ordering spare parts, please specify
tool type, part number, and description.