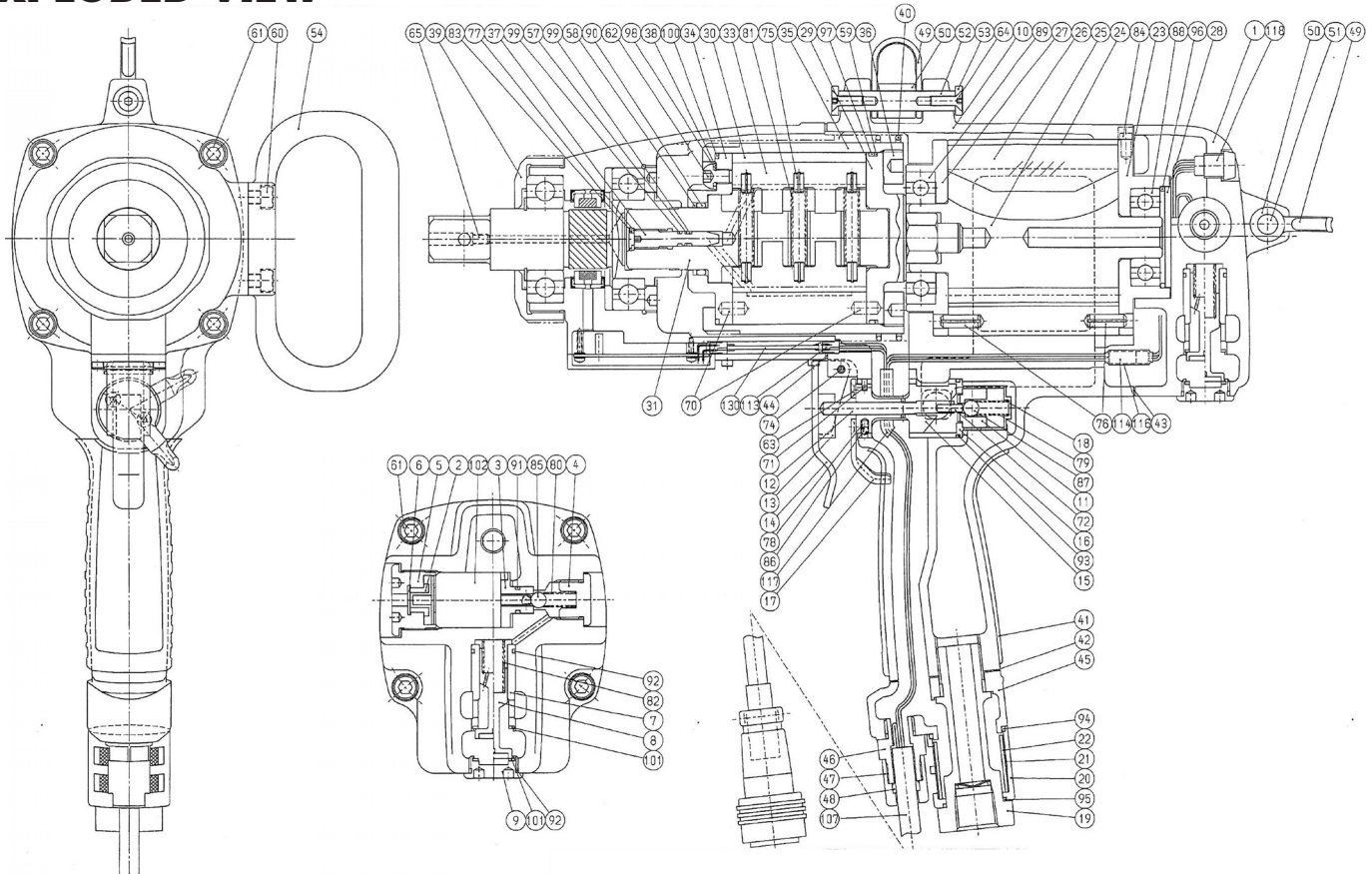


UXR-2000MC OIL-PULSE TOOL

EXPLODED VIEW



PARTS LIST — FOR REFERENCE ONLY

Index Number	Part Number	Description	Qty.	Index Number	Part Number	Description	Qty.	Index Number	Part Number	Description	Qty.
1	148-012-8	Head Cover	1	37	148-970-6	Relief Valve	1	74	973-120-0	Roll Pin (3 x 20)	2
2	148-120-6	Valve Packing Spacer	1	38	188-807-1	Spacer	1	75	973-208-0	Roll Pin (4 x 8)	6
3	148-147-5	Stop Valve Bushing	1	39	148-975-6	Sensor Casing Assembly (545-19)	1	76	973-318-0	Roll Pin (5 x 18)	2
4	148-148-5	Stop Valve Cover	1	40	148-754-6	Clip Guide	1	77	975-013-0	Spacer (9 x 5.2 x 1)	1
5	148-149-6	Stop Valve Plug	1	41	163-842-6	Handle Cover	1	78	976-006-0	Spring (3 x 5) (0.4)	1
6	193-872-6	Valve Packing	1	42	148-850-6	Handle Packing	1	79	976-142-0	Spring (6 x 17.5) (0.6)	1
7	148-253-6	Shut-Off Valve Bushing	1	43	148-853-6	Head Cover Packing	1	80	976-198-0	Spring (6x17) (0.5)	1
8	148-254-6	Shut-Off Valve	1	44	148-867-6	Front Casing Packing	1	81	976-797-0	Spring (6.35 x 45.5) (0.8) (WPC)	3
9	148-927-6	Shut-Off Valve Cover	1	45	148-035-6	Handle Connector	1	82	976-231-0	Spring (9 x 27.5) (0.9)	1
10	148-025-6	Handle	1	46	149-079-2	Connector	1	83	979-002-0	Inner Snap Ring (9)	1
11	163-100-6	Valve	1	47	149-018-2	Cap	1	84	980-009-0	Round Head Notch (4)	1
12	163-104-6	Valve Rod	1	48	149-562-2	Stopper	1	85	981-029-0	Ball (1/4)	1
13	163-106-6	Valve Rod Cup	1	49	195-790-9	Suspension Ring	2	86	981-002-0	Ball (1/8)	1
14	163-107-6	Valve Lever	1	50	173-796-3	Suspension Bushing	2	87	981-206-0	Ball (1/4)	1
15	163-210-6	Reverse Valve	1	51	148-792-5	Suspension Bushing	1	88	982-203-0	Ball Bearing (6203)	1
16	163-211-6	Reverse Valve Bushing	1	52	148-792-6	Suspension Bushing	1	89	982-960-0	Ball Bearing (60/28)	1
17	163-212-3	Reverse Valve Lever	1	53	148-791-6	Suspension Ring Holder	4	90	990-170-0	O-Ring (ARP568-120) (NTN)	1
18	163-109-6	Reverse Valve Retainer	1	54	090-721-1	Dead Handle	1	91	990-906-0	O-Ring (SNS-8)	1
20	163-780-6	Exhaust Bushing	1	57	944-005-0	Supporting Ring (4.2 x 6 x 1)	1	92	909-914-0	O-Ring (SNS-16)	2
21	163-042-3	Silencer	1	58	944-225-0	Supporting Ring (25.2 x 29.4 x 1.5)	1	93	990-916-0	O-Ring (SNS-18)	1
22	163-835-6	Filter	1	59	944-067-0	Supporting Ring (67 x 70 x 1)	1	94	990-917-0	O-Ring (SNS-24)	1
23	148-285-6	Rear Plate	1	60	945-112-0	Allen Head Bolt (M5 x 12)	4	95	990-919-0	O-Ring (SNS-22)	1
24	194-286-8	Cylinder	1	61	945-220-0	Allen Head Bolt (M6 x 20)	8	96	990-928-0	O-Ring (SNS-38)	1
25	194-287-8	Rotor	1	62	945-960-0	Hexagon Round Head Bolt (M6 x 8)	1	97	990-943-0	O-Ring (SNS-63)	1
26	194-288-8	Blade	9	63	948-423-0	Allen Flush Head Screw (M3 x 6)	2	98	990-949-0	O-Ring (P3) (NOK)	1
27	194-289-8	Front Plate	1	64	948-430-0	Allen Flush Head Screw (M4 x 8)	4	99	990-972-0	O-Ring (SNS-4) (NOK)	2
28	148-291-6	Front Plate Spacer	1	65	953-104-0	Allen Head Flat Point Screw (M4 x 4)	1	100	990-990-0	O-Ring (SNS-65)	1
29	194-901-8	Rear Liner Plate	1	66	954-105-0	Allen Head Cone Point Screw (M4 x 5)	1	101	996-434-0	Urethane Packing (1 7x 12.5 x 1)	2
30	148-902-6	Liner	1	67	965-021-0	Heli-Sert (M6 x 1.5D)	8	102	909-935-0	Solenoid Valve Assembly	1
31	148-319-6	Anvil	1	68	969-408-0	Pin (B) (5 x 10)	2	107	909-988-0	Joint Cable Assembly	1
32	176-974-5	Roller (4.4 x 55)	2	69	970-208-0	Pin (H) (3 x 10)	2	113	909-918-0	Socket (DF11-12DC-2C)	1
33	194-440-9	Driving Blade	2	70	970-408-0	Pin (H) (5 x 8)	4	114	909-733-0	Socket (RF-06)	1
34	148-904-6	Front Liner Plate	1	71	971-126-0	Pin (2 x 26)	1	118	909-548-0	LED Lamp Assembly	1
35	194-905-8	Liner Casing	1	72	972-090-0	Roller Pin (3 x 10)	1	119	909-921-0	Sensor Cable Assembly (3F5)	1
36	194-906-8	Liner Casing Setter	1	73	973-108-0	Roll Pin (3 x 8)	1	120	909-998-0	Sensor Cable Connector Assembly	1

FOOTNOTES



10000 SE PINE
PORTLAND, OR 97216
503-254-6600
FAX 503-255-2615

When ordering spare parts, please specify
tool type, part number, and description.