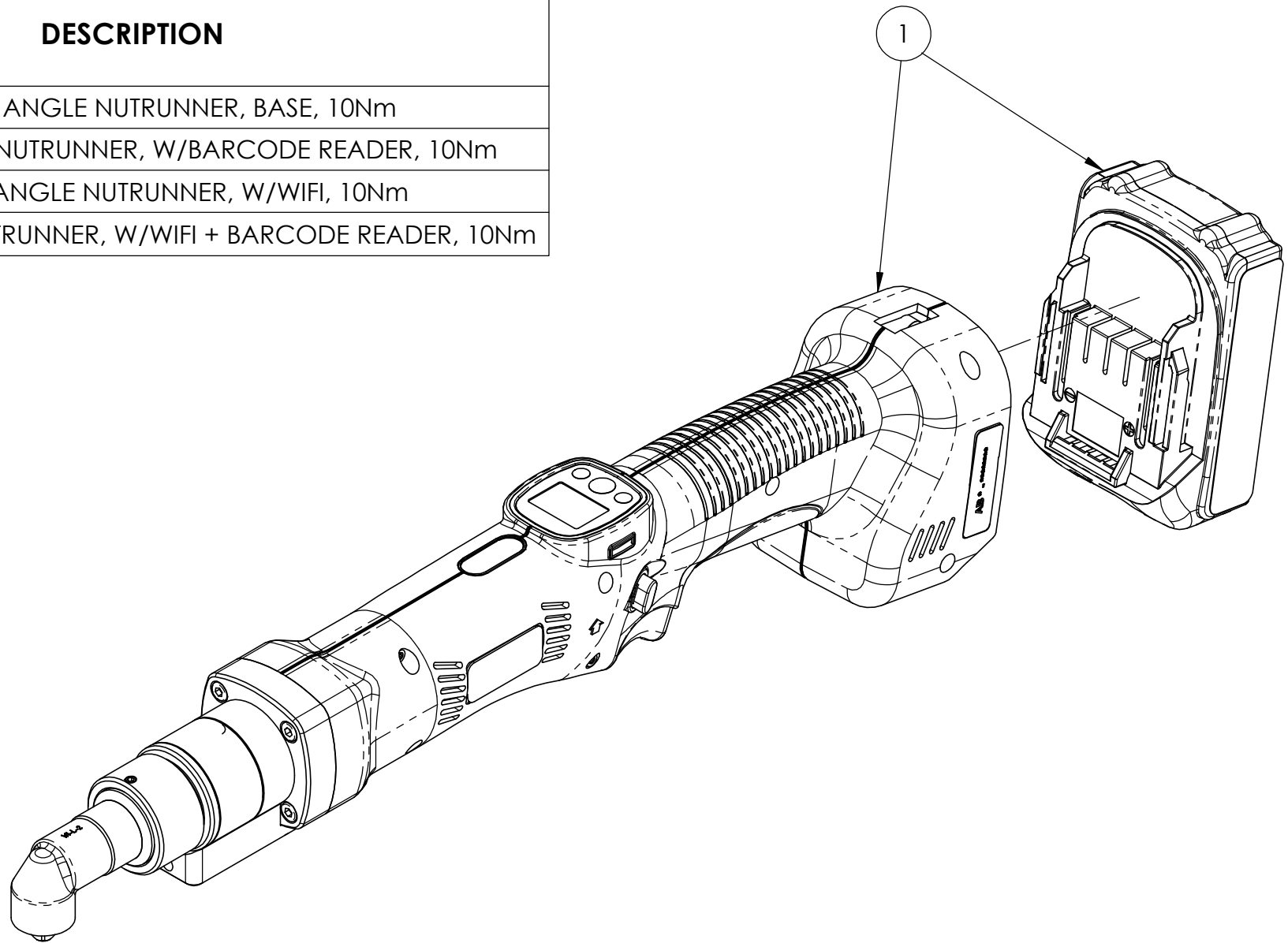




8 7 6 5 4 3 2 1

COMMENTS	ITEM NO.	PART NUMBER	QTY.	DESCRIPTION
	1	SEE CHART	1	CORDLESS ANGLE NUTRUNNER, 10Nm
INCLUDED IN ITEM 1		AB-B1825LI	1	BATTERY ASSEMBLY, 18V, LI-ION, 2.5 AH

MODEL NO.	CORDLESS ANGLE NUTRUNNER	DESCRIPTION
ABN-MTA10	ABN-MTA.10	CORDLESS ANGLE NUTRUNNER, BASE, 10Nm
ABN-MTA10B	ABN-MTA.10B	CORDLESS ANGLE NUTRUNNER, W/BARCODE READER, 10Nm
ABN-MTA10W	ABN-MTA.10W	CORDLESS ANGLE NUTRUNNER, W/WIFI, 10Nm
ABN-MTA10WB	ABN-MTA.10WB	CORDLESS ANGLE NUTRUNNER, W/WIFI + BARCODE READER, 10Nm



-  ASSEMBLY INSTRUCTIONS
-  SUB-ASSEMBLY

A



DOCUMENT CONTROL
 PRINTED COPIES OF THIS DOCUMENT ARE CONSIDERED TO BE UNCONTROLLED DOCUMENTS. HOLDERS ARE RESPONSIBLE FOR VERIFYING THE CURRENT REVISION LEVEL WITH PURCHASING OR ENGINEERING PRIOR TO USE OR FABRICATION. THE CONTROLLED VERSION OF THIS DOCUMENT IS ELECTRONICALLY MAINTAINED.

PROPRIETARY AND CONFIDENTIAL
 THIS DRAWING CONTAINS INFORMATION STRICTLY CONFIDENTIAL TO ACRADYNE/AIMCO. IN THE ABSENCE OF EXPRESSED WRITTEN PERMISSION, ACRADYNE/AIMCO HAS LOANED THIS COPY WITH THE MUTUAL UNDERSTANDING THAT (A) IT WILL NOT BE USED FOR ANY PURPOSE OTHER THAN FOR THAT IN WHICH IT WAS PROVIDED, (B) THE DATA CONTAINED HEREIN WILL NOT BE DISCLOSED TO OTHERS, (C) IT WILL NOT BE REPRODUCED, AND (D) IT WILL BE RETURNED TO ACRADYNE/AIMCO IMMEDIATELY UPON DEMAND.

REVISION LEVEL	REVISION RELEASE DATE	DESCRIPTION OF CHANGES MADE TO PART	ECN #	AUTHOR/ APPROVAL

UNLESS OTHERWISE SPECIFIED, DIMENSIONS ARE IN INCHES
 DIMENSIONS AND TOLERANCING PER ANSI Y14.5
 SURFACE ROUGHNESS PER ANSI Y14.36

BLOCK TOLERANCING PER DECIMAL:
 .X = ±.030 .XX = ±.010 .XXX = ±.005 .XXXX = ±.0005
 ANGLE = ±0° 30'

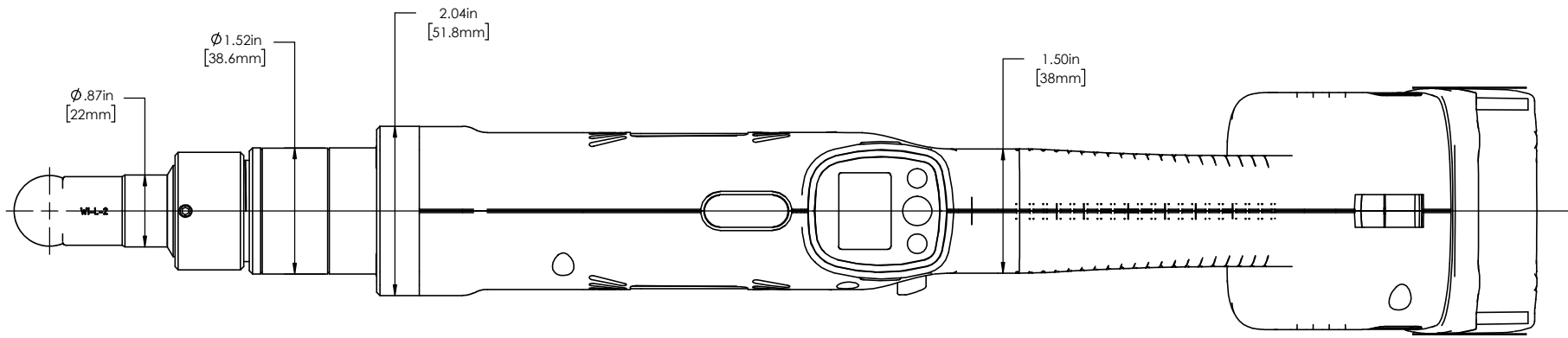
REMOVE BURRS AND SHARP EDGES: R.015 MAX
 MACHINE SURFACE FINISH: 125 RMS OR BETTER

DRAWINGS AND TECHNICAL DOCUMENTS CONTROLLED BY:
ACRADYNE MECHANICAL ENGINEERING

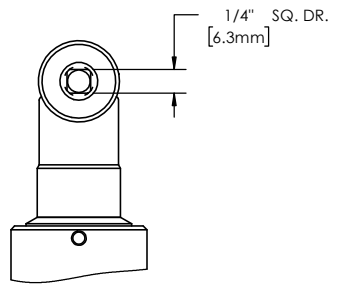
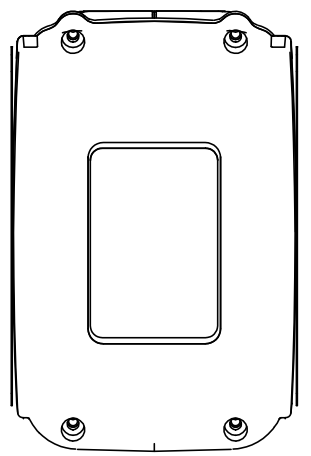
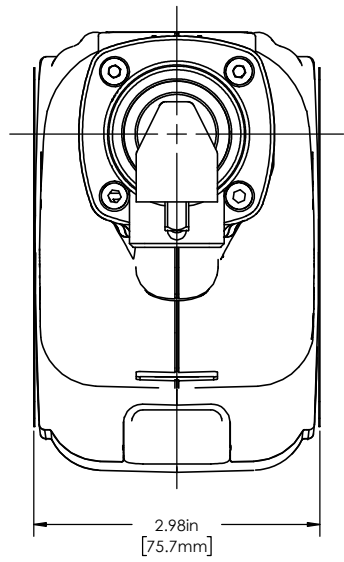
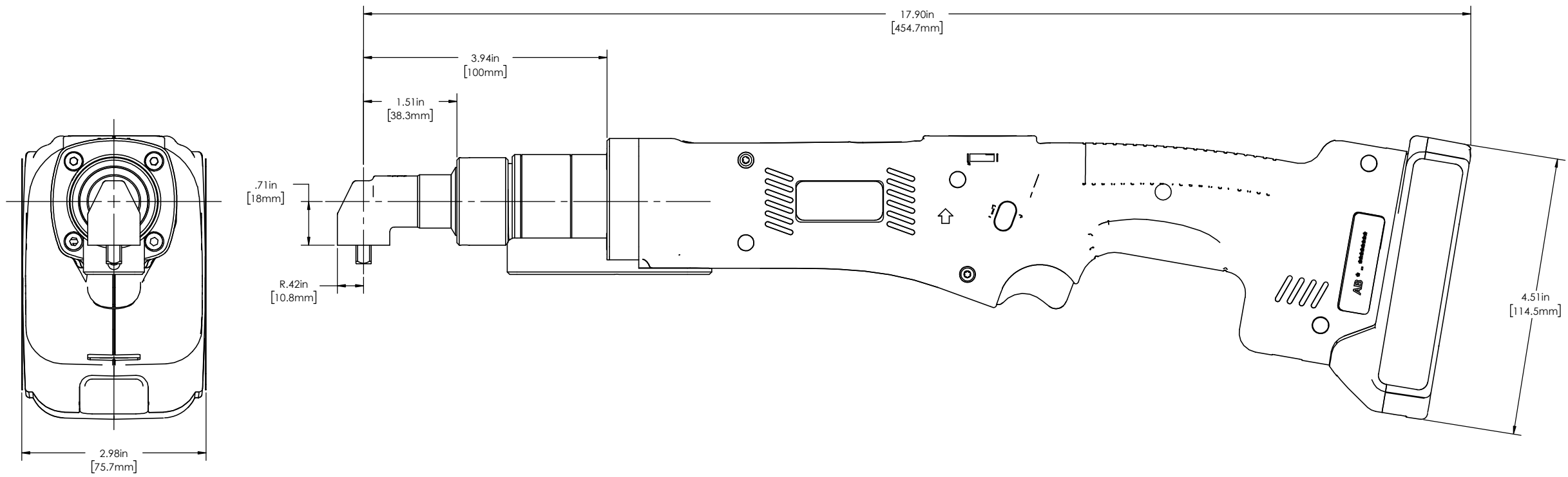
**ANGLE NUTRUNNER,
 CORDLESS, 10Nm
 CORDLESS SERIES**

SIZE B	PART / DRAWING NUMBER ABN-MTA10	REVISION A
SCALE 1:2	DO NOT SCALE DRAWING	SHEET 1 OF 2

8 7 6 5 4 3 2 1



MODEL NO.
ABN-MTA10
ABN-MTA10B
ABN-MTA10W
ABN-MTA10WB



DOCUMENT CONTROL
 PRINTED COPIES OF THIS DOCUMENT ARE CONSIDERED TO BE UNCONTROLLED DOCUMENTS. HOLDERS ARE RESPONSIBLE FOR VERIFYING THE CURRENT REVISION LEVEL WITH PURCHASING OR ENGINEERING PRIOR TO USE OR FABRICATION. THE CONTROLLED VERSION OF THIS DOCUMENT IS ELECTRONICALLY MAINTAINED.

PROPRIETARY AND CONFIDENTIAL
 THIS DRAWING CONTAINS INFORMATION STRICTLY CONFIDENTIAL TO ACRADYNE/AIMCO. IN THE ABSENCE OF EXPRESSED WRITTEN PERMISSION, ACRADYNE/AIMCO HAS LOANED THIS COPY WITH THE MUTUAL UNDERSTANDING THAT (A) IT WILL NOT BE USED FOR ANY PURPOSE OTHER THAN FOR THAT IN WHICH IT WAS PROVIDED, (B) THE DATA CONTAINED HEREIN WILL NOT BE DISCLOSED TO OTHERS, (C) IT WILL NOT BE REPRODUCED, AND (D) IT WILL BE RETURNED TO ACRADYNE/AIMCO IMMEDIATELY UPON DEMAND.

REVISION LEVEL	REVISION RELEASE DATE	DESCRIPTION OF CHANGES MADE TO PART	ECN #	AUTHOR/ APPROVAL

UNLESS OTHERWISE SPECIFIED, DIMENSIONS ARE IN INCHES
 DIMENSIONS AND TOLERANCING PER ANSI Y14.5
 SURFACE ROUGHNESS PER ANSI Y14.36

BLOCK TOLERANCING PER DECIMAL:
 .X = ±.030 .XX = ±.010 .XXX = ±.005 .XXXX = ±.0005
 ANGLE = ±0° 30'

REMOVE BURRS AND SHARP EDGES: R.015 MAX
 MACHINE SURFACE FINISH: 125 RMS OR BETTER

ACRADYNE MECHANICAL ENGINEERING

ANGLE NUTRUNNER, CORDLESS, 10Nm CORDLESS SERIES		
SIZE	PART / DRAWING NUMBER	REVISION
D	ABN-MTA10	A
SCALE: 1:1	DO NOT SCALE DRAWING	SHEET 2 OF 2