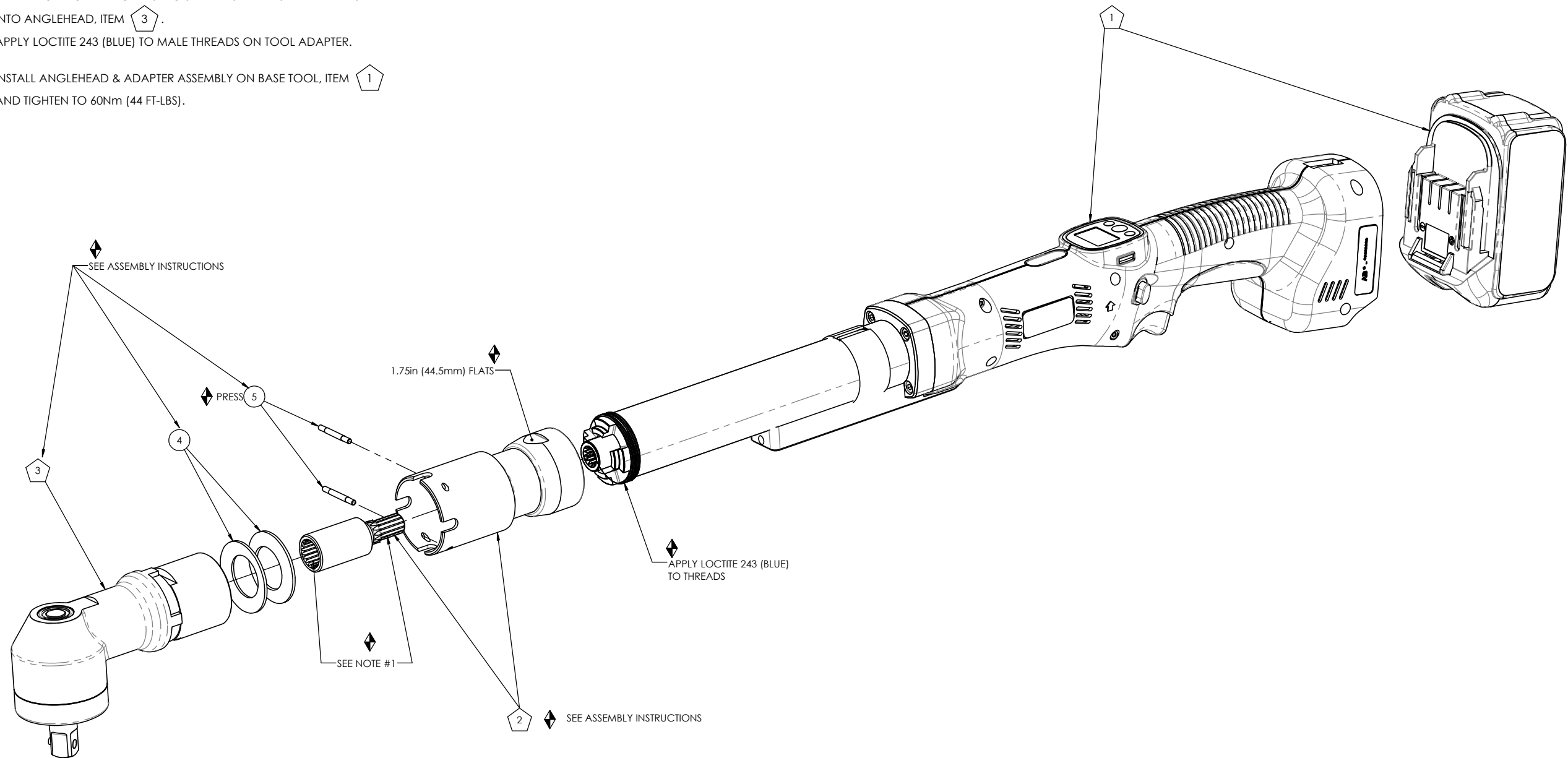


COMMENTS	ITEM NO.	PART NUMBER	QTY.	DESCRIPTION
	1	SEE CHART	1	CORDLESS NUTRUNNER, WITHOUT HEAD, 115Nm
INCLUDED IN ITEM 1		AB-B1850LI		BATTERY ASSEMBLY, 18V, LI-ION, 5.0 AH
	2	30288	1	ANGLE HEAD ADAPTER ASM., 120Nm
	3	27089	1	ANGLE HEAD ASSY, 1/2" DRIVE, 200 Nm
	4	20911	2	BELLEVILLE WASHER
	5	20913	2	PIN, RETAINING

TOOL MODEL	BASE TOOL WITHOUT HEAD	DESCRIPTION
ABN-MTA115	AB-MTA115	CORDLESS ANGLE NUTRUNNER, BASE, 115Nm
ABN-MTA115B	AB-MTA115B	CORDLESS ANGLE NUTRUNNER, W/BARCODE READER, 115Nm
ABN-MTA115W	AB-MTA115W	CORDLESS ANGLE NUTRUNNER, W/WIFI, 115Nm
ABN-MTA115WB	AB-MTA115WB	CORDLESS ANGLE NUTRUNNER, W/WIFI + BARCODE READER, 115Nm

ASSEMBLY INSTRUCTIONS:

- ASSEMBLE ANGLEHEAD, ITEM **3**, BELLEVILLE WASHERS, ITEM **4** AND ADAPTER HOUSING ITEM **2** AS SHOWN.
- COMPRESS ADAPTER, ITEM **2** AND ANGLEHEAD, ITEM **3** IN A VICE AND INSTALL RETAINING PINS, ITEM **5**.
- APPLY MOLYKOTE BR2 GREASE TO SPLINED SPINDLE SHAFT AND INSTALL INTO ANGLEHEAD, ITEM **3**.
- APPLY LOCTITE 243 (BLUE) TO MALE THREADS ON TOOL ADAPTER.
- INSTALL ANGLEHEAD & ADAPTER ASSEMBLY ON BASE TOOL, ITEM **1** AND TIGHTEN TO 60Nm (44 FT-LBS).



◆ ASSEMBLY INSTRUCTIONS

◊ SUB-ASSEMBLY

- GEARS & SPLINES: LUBRICATE WITH DOW CORNING MOLYKOTE BR2 PLUS GREASE.
- BEARINGS: LUBRICATE WITH CHEVRON SR1 GREASE
- O-RINGS: LUBRICATE WITH O-RING LUBE



DOCUMENT CONTROL
 PRINTED COPIES OF THIS DOCUMENT ARE CONSIDERED TO BE UNCONTROLLED DOCUMENTS. HOLDERS ARE RESPONSIBLE FOR VERIFYING THE CURRENT REVISION LEVEL WITH PURCHASING OR ENGINEERING PRIOR TO USE OR FABRICATION. THE CONTROLLED VERSION OF THIS DOCUMENT IS ELECTRONICALLY MAINTAINED.

PROPRIETARY AND CONFIDENTIAL
 THIS DRAWING CONTAINS INFORMATION STRICTLY CONFIDENTIAL TO ACRADYNE/AIMCO. IN THE ABSENCE OF EXPRESSED WRITTEN PERMISSION, ACRADYNE/AIMCO HAS LOANED THIS COPY WITH THE MUTUAL UNDERSTANDING THAT (A) IT WILL NOT BE USED FOR ANY PURPOSE OTHER THAN FOR THAT IN WHICH IT WAS PROVIDED, (B) THE DATA CONTAINED HEREIN WILL NOT BE DISCLOSED TO OTHERS, (C) IT WILL NOT BE REPRODUCED, AND (D) IT WILL BE RETURNED TO ACRADYNE/AIMCO IMMEDIATELY UPON DEMAND.

REVISION LEVEL	REVISION RELEASE DATE	DESCRIPTION OF CHANGES MADE TO PART	ECN #	AUTHOR/ APPROVAL
REVISION BLOCK				

UNLESS OTHERWISE SPECIFIED, DIMENSIONS ARE IN INCHES
 DIMENSIONS AND TOLERANCING PER ANSI Y14.5
 SURFACE ROUGHNESS PER ANSI Y14.36

BLOCK TOLERANCING PER DECIMAL:
 .X = ±0.030 .XX = ±0.010 .XXX = ±0.005 .XXXX = ±0.0005
 ANGLE = ±0° 30'

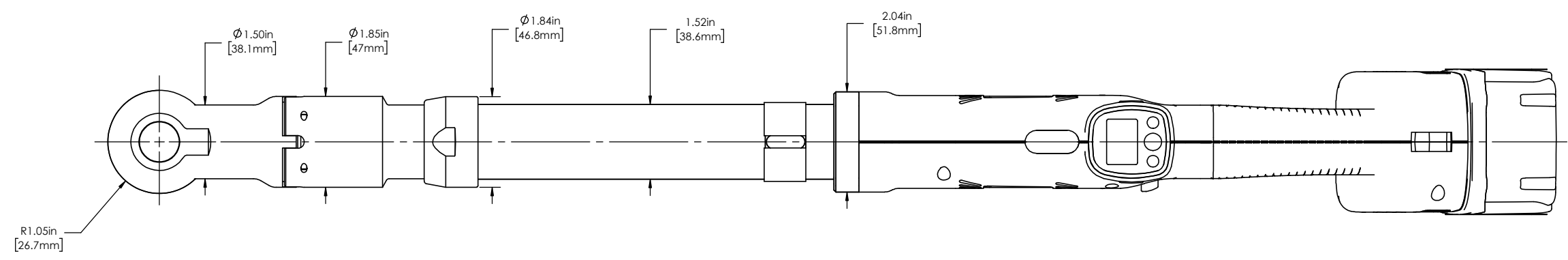
REMOVE BURRS AND SHARP EDGES: R.015 MAX
 MACHINE SURFACE FINISH: 125 RMS OR BETTER

DRAWINGS AND TECHNICAL DOCUMENTS CONTROLLED BY:
ACRADYNE MECHANICAL ENGINEERING

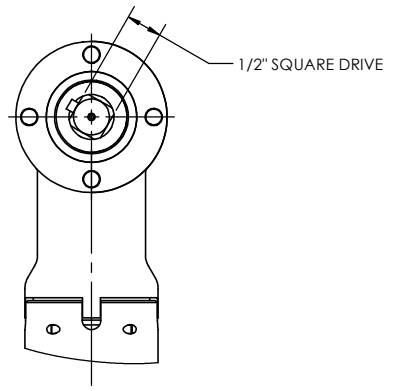
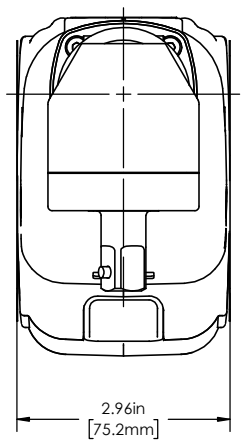
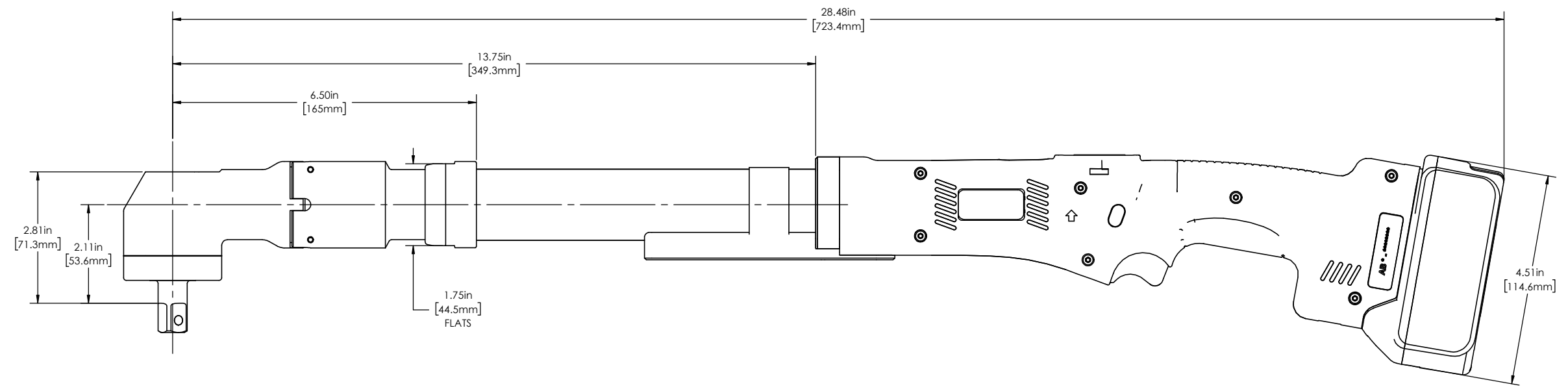
CORDLESS ANGLE NUTRUNNER, 115Nm

CORDLESS SERIES

SIZE	PART / DRAWING NUMBER	REVISION
D	ABN-MTA115	A
SCALE 3:4	DO NOT SCALE DRAWING	SHEET 1 OF 2



TOOL MODELS
ABN-MTA115
ABN-MTA115B
ABN-MTA115W
ABN-MTA115WB



DOCUMENT CONTROL
 PRINTED COPIES OF THIS DOCUMENT ARE CONSIDERED TO BE UNCONTROLLED DOCUMENTS. HOLDERS ARE RESPONSIBLE FOR VERIFYING THE CURRENT REVISION LEVEL WITH PURCHASING OR ENGINEERING PRIOR TO USE OR FABRICATION. THE CONTROLLED VERSION OF THIS DOCUMENT IS ELECTRONICALLY MAINTAINED.

PROPRIETARY AND CONFIDENTIAL
 THIS DRAWING CONTAINS INFORMATION STRICTLY CONFIDENTIAL TO ACRADYNE/AIMCO. IN THE ABSENCE OF EXPRESSED WRITTEN PERMISSION, ACRADYNE/AIMCO HAS LOANED THIS COPY WITH THE MUTUAL UNDERSTANDING THAT (A) IT WILL NOT BE USED FOR ANY PURPOSE OTHER THAN FOR THAT IN WHICH IT WAS PROVIDED, (B) THE DATA CONTAINED HEREIN WILL NOT BE DISCLOSED TO OTHERS, (C) IT WILL NOT BE REPRODUCED, AND (D) IT WILL BE RETURNED TO ACRADYNE/AIMCO IMMEDIATELY UPON DEMAND.

REVISION LEVEL	REVISION RELEASE DATE	DESCRIPTION OF CHANGES MADE TO PART	ECN #	AUTHOR/ APPROVAL

UNLESS OTHERWISE SPECIFIED, DIMENSIONS ARE IN INCHES
 DIMENSIONS AND TOLERANCING PER ANSI Y14.5
 SURFACE ROUGHNESS PER ANSI Y14.36

BLOCK TOLERANCING PER DECIMAL:
 .X = ±.030 .XX = ±.010 .XXX = ±.005 .XXXX = ±.0005
 ANGLE = ±0°30'

REMOVE BURRS AND SHARP EDGES: R.015 MAX
 MACHINE SURFACE FINISH: 125 RMS OR BETTER

DRAWINGS AND TECHNICAL DOCUMENTS CONTROLLED BY:
ACRADYNE MECHANICAL ENGINEERING

CORDLESS ANGLE NUTRUNNER, 115Nm

CORDLESS SERIES

SIZE	PART / DRAWING NUMBER	REVISION
D	ABN-MTA115	A

SCALE 3:4 DO NOT SCALE DRAWING SHEET 2 OF 2