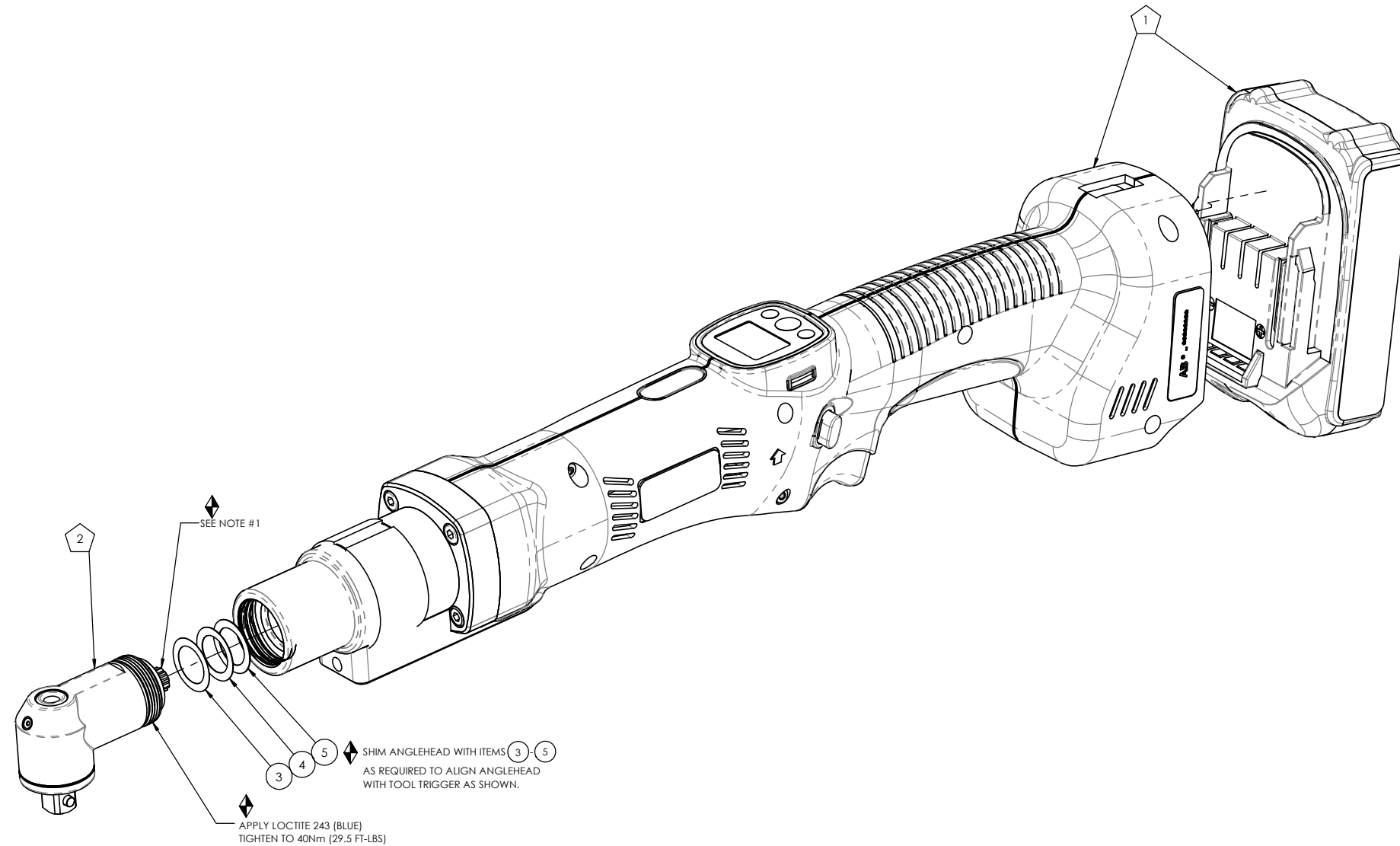


COMMENTS	ITEM NO.	PART NUMBER	QTY.	DESCRIPTION
INCLUDED IN ITEM 1	1	SEE CHART	1	CORDLESS ANGLE NUTRUNNER, W/O HEAD, 17Nm
		AB-B1825LI		BATTERY ASSEMBLY, 18V, LI-ION, 2.5 AH
	2	24890	1	ANGLE HEAD ASM, STUBBY, 3/8" SQ. DR.
	3	24855	A/R	SHIM .1MM, 14MM ID X 20MM OD
	4	24856	A/R	SHIM .2MM, 14MM ID X 20MM OD
	5	24857	A/R	SHIM .3MM, 14MM ID X 20MM OD

MODEL NO.	CORDLESS ANGLE NUTRUNNER W/O HEAD	DESCRIPTION
ABN-MTA17	AB-MTA17	CORDLESS ANGLE NUTRUNNER, BASE, 17Nm
ABN-MTA17B	AB-MTA17B	CORDLESS ANGLE NUTRUNNER, W/BARCODE READER, 17Nm
ABN-MTA17W	AB-MTA17W	CORDLESS ANGLE NUTRUNNER, W/ WIFI, 17Nm
ABN-MTA17WB	AB-MTA17WB	CORDLESS ANGLE NUTRUNNER, W/WIFI + BARCODE READER, 17Nm



- ◆ ASSEMBLY INSTRUCTIONS
- ◻ SUB-ASSEMBLY

- 1) GEARS & SPLINES: LUBRICATE WITH DOW CORNING MOLYKOTE BR2 PLUS GREASE.
- 2) BEARINGS: LUBRICATE WITH CHEVRON SR1 GREASE
- 3) O-RINGS: LUBRICATE WITH O-RING LUBE



DOCUMENT CONTROL
 PRINTED COPIES OF THIS DOCUMENT ARE CONSIDERED TO BE UNCONTROLLED DOCUMENTS. HOLDERS ARE RESPONSIBLE FOR VERIFYING THE CURRENT REVISION LEVEL WITH PURCHASING OR ENGINEERING PRIOR TO USE OR FABRICATION. THE CONTROLLED VERSION OF THIS DOCUMENT IS ELECTRONICALLY MAINTAINED.

PROPRIETARY AND CONFIDENTIAL
 THIS DRAWING CONTAINS INFORMATION STRICTLY CONFIDENTIAL TO ACRADYNE/AIMCO. IN THE ABSENCE OF EXPRESSED WRITTEN PERMISSION, ACRADYNE/AIMCO HAS LOANED THIS COPY WITH THE MUTUAL UNDERSTANDING THAT (A) IT WILL NOT BE USED FOR ANY PURPOSE OTHER THAN FOR THAT IN WHICH IT WAS PROVIDED, (B) THE DATA CONTAINED HEREIN WILL NOT BE DISCLOSED TO OTHERS, (C) IT WILL NOT BE REPRODUCED, AND (D) IT WILL BE RETURNED TO ACRADYNE/AIMCO IMMEDIATELY UPON DEMAND.

REVISION LEVEL	REVISION RELEASE DATE	DESCRIPTION OF CHANGES MADE TO PART	ECN #	AUTHOR/ APPROVAL

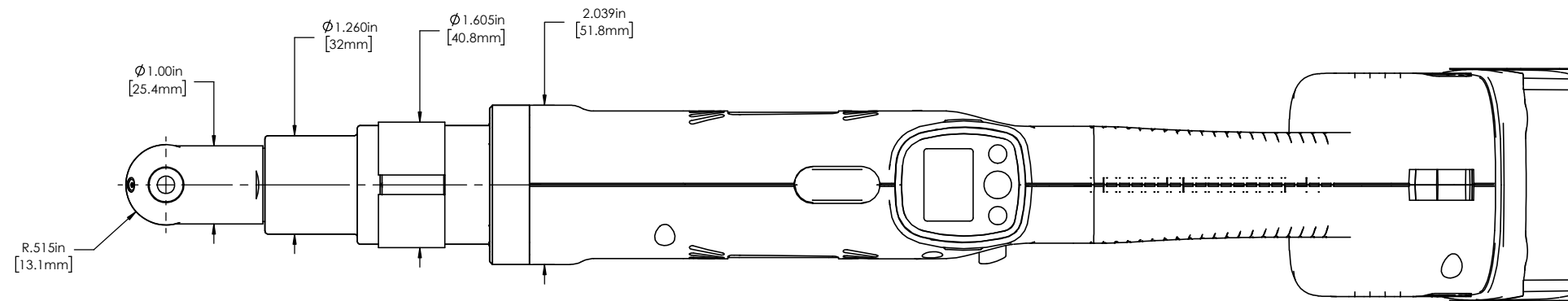
UNLESS OTHERWISE SPECIFIED, DIMENSIONS ARE IN INCHES
 DIMENSIONS AND TOLERANCING PER ANSI Y14.5
 SURFACE ROUGHNESS PER ANSI Y14.36

BLOCK TOLERANCING PER DECIMAL:
 .X = ±.030 .XX = ±.010 .XXX = ±.005 .XXXX = ±.0005
 ANGLE = ±0° 30'

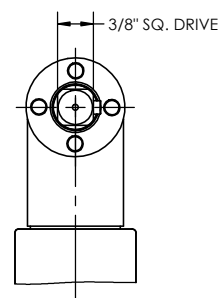
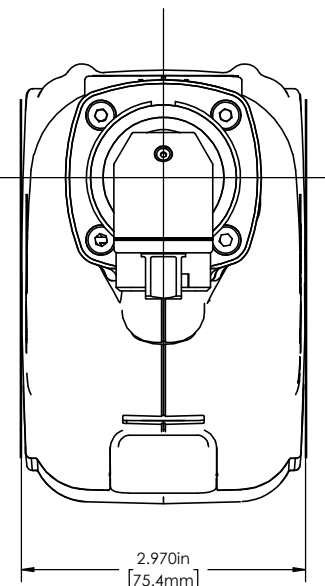
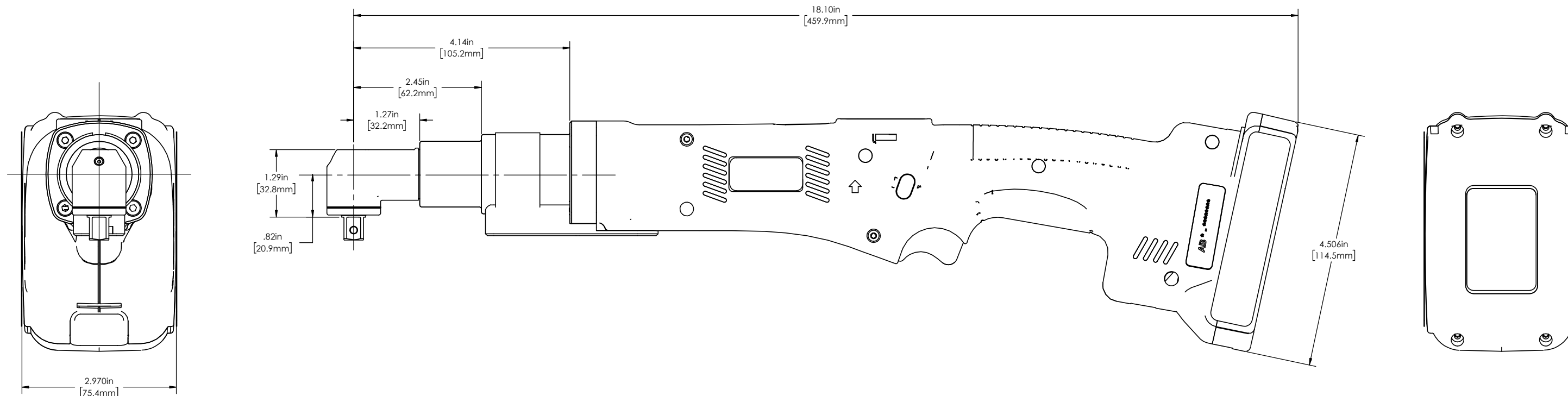
REMOVE BURRS AND SHARP EDGES: R.015 MAX
 MACHINE SURFACE FINISH: 125 RMS OR BETTER

DRAWINGS AND TECHNICAL DOCUMENTS CONTROLLED BY:
ACRADYNE MECHANICAL ENGINEERING

CORDLESS ANGLE NUTRUNNER, 17Nm		
CORDLESS SERIES		
SIZE D	PART / DRAWING NUMBER ABN-MTA17	REVISION A
SCALE 1:1	DO NOT SCALE DRAWING	SHEET 1 OF 2



MODEL NO.
ABN-MTA17
ABN-MTA17B
ABN-MTA17W
ABN-MTA17WB



DOCUMENT CONTROL
 PRINTED COPIES OF THIS DOCUMENT ARE CONSIDERED TO BE UNCONTROLLED DOCUMENTS. HOLDERS ARE RESPONSIBLE FOR VERIFYING THE CURRENT REVISION LEVEL WITH PURCHASING OR ENGINEERING PRIOR TO USE OR FABRICATION. THE CONTROLLED VERSION OF THIS DOCUMENT IS ELECTRONICALLY MAINTAINED.

PROPRIETARY AND CONFIDENTIAL
 THIS DRAWING CONTAINS INFORMATION STRICTLY CONFIDENTIAL TO ACRADYNE/AIMCO. IN THE ABSENCE OF EXPRESSED WRITTEN PERMISSION, ACRADYNE/AIMCO HAS LOANED THIS COPY WITH THE MUTUAL UNDERSTANDING THAT (A) IT WILL NOT BE USED FOR ANY PURPOSE OTHER THAN FOR THAT IN WHICH IT WAS PROVIDED, (B) THE DATA CONTAINED HEREIN WILL NOT BE DISCLOSED TO OTHERS, (C) IT WILL NOT BE REPRODUCED, AND (D) IT WILL BE RETURNED TO ACRADYNE/AIMCO IMMEDIATELY UPON DEMAND.

REVISION LEVEL	REVISION RELEASE DATE	DESCRIPTION OF CHANGES MADE TO PART	ECN #	AUTHOR/ APPROVAL

UNLESS OTHERWISE SPECIFIED, DIMENSIONS ARE IN INCHES
 DIMENSIONS AND TOLERANCING PER ANSI Y14.5
 SURFACE ROUGHNESS PER ANSI Y14.36

BLOCK TOLERANCING PER DECIMAL:
 .X = ±.030 .XX = ±.010 .XXX = ±.005 .XXXX = ±.0005
 ANGLE = ±0° 30'

REMOVE BURRS AND SHARP EDGES: R.015 MAX
 MACHINE SURFACE FINISH: 125 RMS OR BETTER

DRAWINGS AND TECHNICAL DOCUMENTS CONTROLLED BY:
ACRADYNE MECHANICAL ENGINEERING

CORDLESS ANGLE NUTRUNNER, 17Nm
CORDLESS SERIES

SIZE	PART / DRAWING NUMBER	REVISION
D	ABN-MTA17	A

SCALE 1:1 DO NOT SCALE DRAWING SHEET 2 OF 2