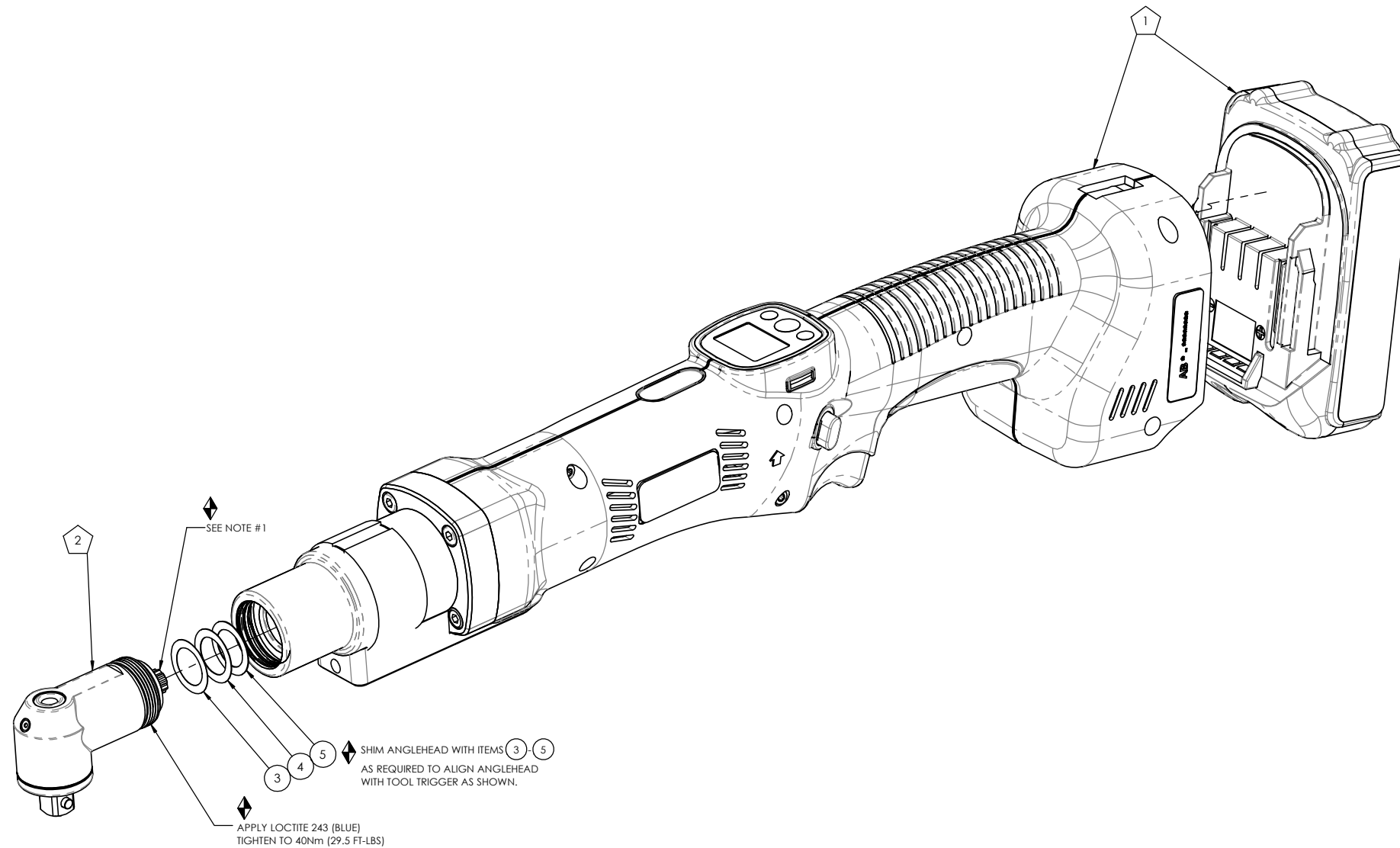


| COMMENTS | ITEM NO. | PART NUMBER | QTY. | DESCRIPTION |
|--------------------|----------|-------------|------|--|
| INCLUDED IN ITEM 1 | 1 | SEE CHART | 1 | CORDLESS ANGLE NUTRUNNER, W/O HEAD, 24Nm |
| | | AB-B1825LI | | BATTERY ASSEMBLY, 18V, LI-ION, 2.5 AH |
| | 2 | 24890 | 1 | ANGLE HEAD ASM, STUBBY, 3/8" SQ. DR. |
| | 3 | 24855 | A/R | SHIM .1MM, 14MM ID X 20MM OD |
| | 4 | 24856 | A/R | SHIM .2MM, 14MM ID X 20MM OD |
| | 5 | 24857 | A/R | SHIM .3MM, 14MM ID X 20MM OD |

| MODEL NO. | CORDLESS ANGLE NUTRUNNER W/O HEAD | DESCRIPTION |
|-------------|-----------------------------------|---|
| ABN-MTA24 | AB-MTA24 | CORDLESS ANGLE NUTRUNNER, BASE, 24Nm |
| ABN-MTA24B | AB-MTA24B | CORDLESS ANGLE NUTRUNNER, W/BARCODE READER, 24Nm |
| ABN-MTA24W | AB-MTA24W | CORDLESS ANGLE NUTRUNNER, W/ WIFI, 24Nm |
| ABN-MTA24WB | AB-MTA24WB | CORDLESS ANGLE NUTRUNNER, W/WIFI + BARCODE READER, 24Nm |



◆ ASSEMBLY INSTRUCTIONS
 ◊ SUB-ASSEMBLY

- 1) GEARS & SPLINES: LUBRICATE WITH DOW CORNING MOLYKOTE BR2 PLUS GREASE.
- 2) BEARINGS: LUBRICATE WITH CHEVRON SR1 GREASE
- 3) O-RINGS: LUBRICATE WITH O-RING LUBE



DOCUMENT CONTROL
 PRINTED COPIES OF THIS DOCUMENT ARE CONSIDERED TO BE UNCONTROLLED DOCUMENTS. HOLDERS ARE RESPONSIBLE FOR VERIFYING THE CURRENT REVISION LEVEL WITH PURCHASING OR ENGINEERING PRIOR TO USE OR FABRICATION. THE CONTROLLED VERSION OF THIS DOCUMENT IS ELECTRONICALLY MAINTAINED.

PROPRIETARY AND CONFIDENTIAL
 THIS DRAWING CONTAINS INFORMATION STRICTLY CONFIDENTIAL TO ACRADYNE/AIMCO. IN THE ABSENCE OF EXPRESSED WRITTEN PERMISSION, ACRADYNE/AIMCO HAS LOANED THIS COPY WITH THE MUTUAL UNDERSTANDING THAT (A) IT WILL NOT BE USED FOR ANY PURPOSE OTHER THAN FOR THAT IN WHICH IT WAS PROVIDED, (B) THE DATA CONTAINED HEREIN WILL NOT BE DISCLOSED TO OTHERS, (C) IT WILL NOT BE REPRODUCED, AND (D) IT WILL BE RETURNED TO ACRADYNE/AIMCO IMMEDIATELY UPON DEMAND.

| REVISION LEVEL | REVISION RELEASE DATE | DESCRIPTION OF CHANGES MADE TO PART | ECN # | AUTHOR/ APPROVAL |
|----------------|-----------------------|-------------------------------------|-------|------------------|
| | | PRODUCTION RELEASE | | |

UNLESS OTHERWISE SPECIFIED, DIMENSIONS ARE IN INCHES
 DIMENSIONS AND TOLERANCING PER ANSI Y14.5
 SURFACE ROUGHNESS PER ANSI Y14.36

BLOCK TOLERANCING PER DECIMAL:
 .X = ±.030 .XX = ±.010 .XXX = ±.005 .XXXX = ±.0005
 ANGLE = ±0° 30'

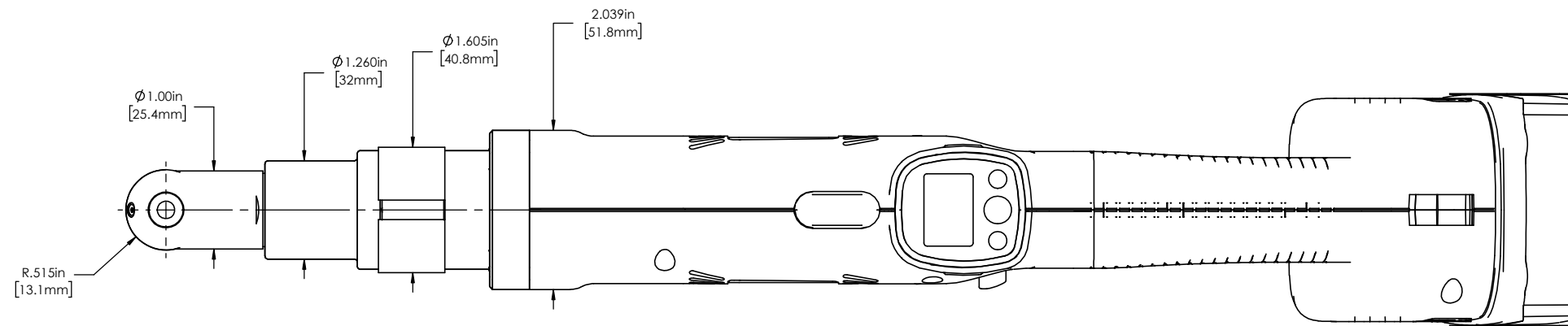
REMOVE BURRS AND SHARP EDGES: R.015 MAX
 MACHINE SURFACE FINISH: 125 RMS OR BETTER

DRAWINGS AND TECHNICAL DOCUMENTS CONTROLLED BY:
ACRADYNE MECHANICAL ENGINEERING

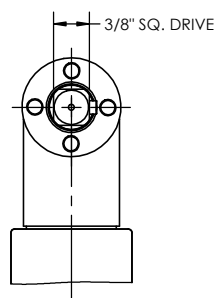
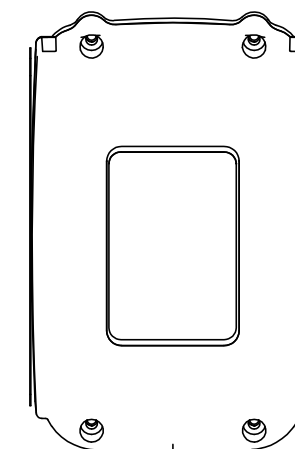
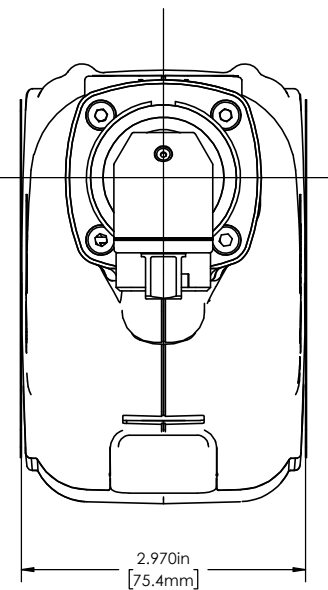
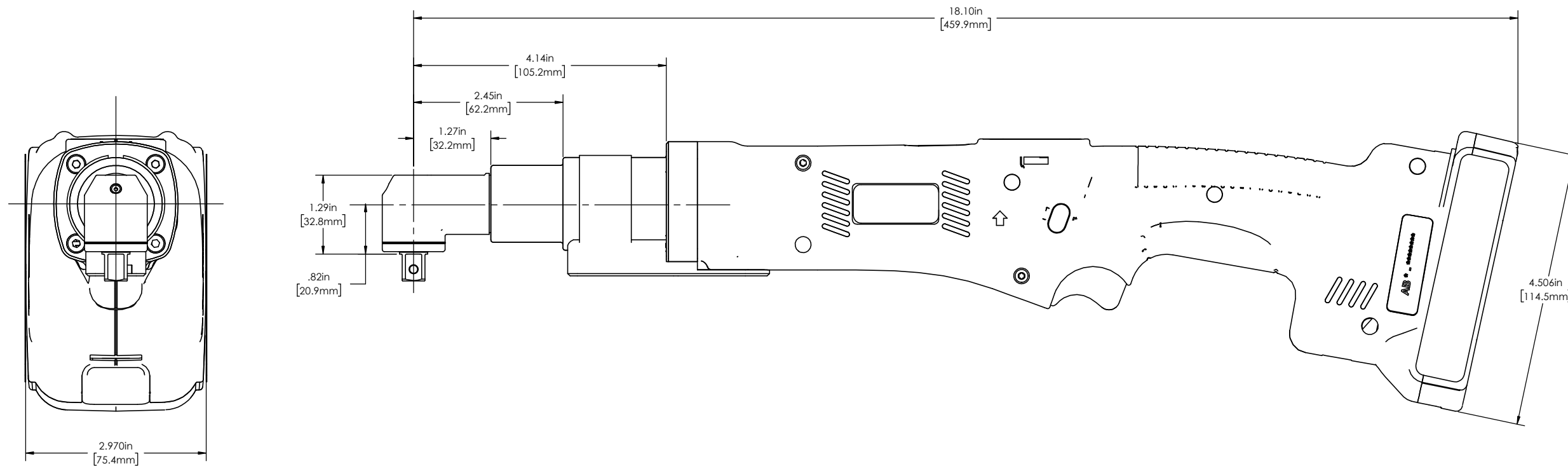
CORDLESS ANGLE NUTRUNNER, 24Nm
CORDLESS SERIES

| SIZE | PART / DRAWING NUMBER | REVISION |
|----------|-----------------------|----------|
| D | ABN-MTA24 | A |

SCALE: 1:1 DO NOT SCALE DRAWING SHEET 1 OF 2



| MODEL NO. |
|-------------|
| ABN-MTA24 |
| ABN-MTA24B |
| ABN-MTA24W |
| ABN-MTA24WB |



DOCUMENT CONTROL
 PRINTED COPIES OF THIS DOCUMENT ARE CONSIDERED TO BE UNCONTROLLED DOCUMENTS. HOLDERS ARE RESPONSIBLE FOR VERIFYING THE CURRENT REVISION LEVEL WITH PURCHASING OR ENGINEERING PRIOR TO USE OR FABRICATION. THE CONTROLLED VERSION OF THIS DOCUMENT IS ELECTRONICALLY MAINTAINED.

PROPRIETARY AND CONFIDENTIAL
 THIS DRAWING CONTAINS INFORMATION STRICTLY CONFIDENTIAL TO ACRADYNE/AIMCO. IN THE ABSENCE OF EXPRESSED WRITTEN PERMISSION, ACRADYNE/AIMCO HAS LOANED THIS COPY WITH THE MUTUAL UNDERSTANDING THAT (A) IT WILL NOT BE USED FOR ANY PURPOSE OTHER THAN FOR THAT IN WHICH IT WAS PROVIDED, (B) THE DATA CONTAINED HEREIN WILL NOT BE DISCLOSED TO OTHERS, (C) IT WILL NOT BE REPRODUCED, AND (D) IT WILL BE RETURNED TO ACRADYNE/AIMCO IMMEDIATELY UPON DEMAND.

| REVISION LEVEL | REVISION RELEASE DATE | DESCRIPTION OF CHANGES MADE TO PART | ECN # | AUTHOR/ APPROVAL |
|----------------|-----------------------|-------------------------------------|-------|------------------|
| | | | | |

UNLESS OTHERWISE SPECIFIED, DIMENSIONS ARE IN INCHES
 DIMENSIONS AND TOLERANCING PER ANSI Y14.5
 SURFACE ROUGHNESS PER ANSI Y14.36

BLOCK TOLERANCING PER DECIMAL:
 .X = ±.030 .XX = ±.010 .XXX = ±.005 .XXXX = ±.0005
 ANGLE = ±0° 30'

REMOVE BURRS AND SHARP EDGES: R.015 MAX
 MACHINE SURFACE FINISH: 125 RMS OR BETTER

DRAWINGS AND TECHNICAL DOCUMENTS CONTROLLED BY:
ACRADYNE MECHANICAL ENGINEERING

| | | |
|---------------------------------------|---|----------------------|
| CORDLESS ANGLE NUTRUNNER, 24Nm | | |
| CORDLESS SERIES | | |
| SIZE D | PART / DRAWING NUMBER ABN-MTA24 | REVISION A |
| SCALE 1:1 | DO NOT SCALE DRAWING | SHEET 2 OF 2 |