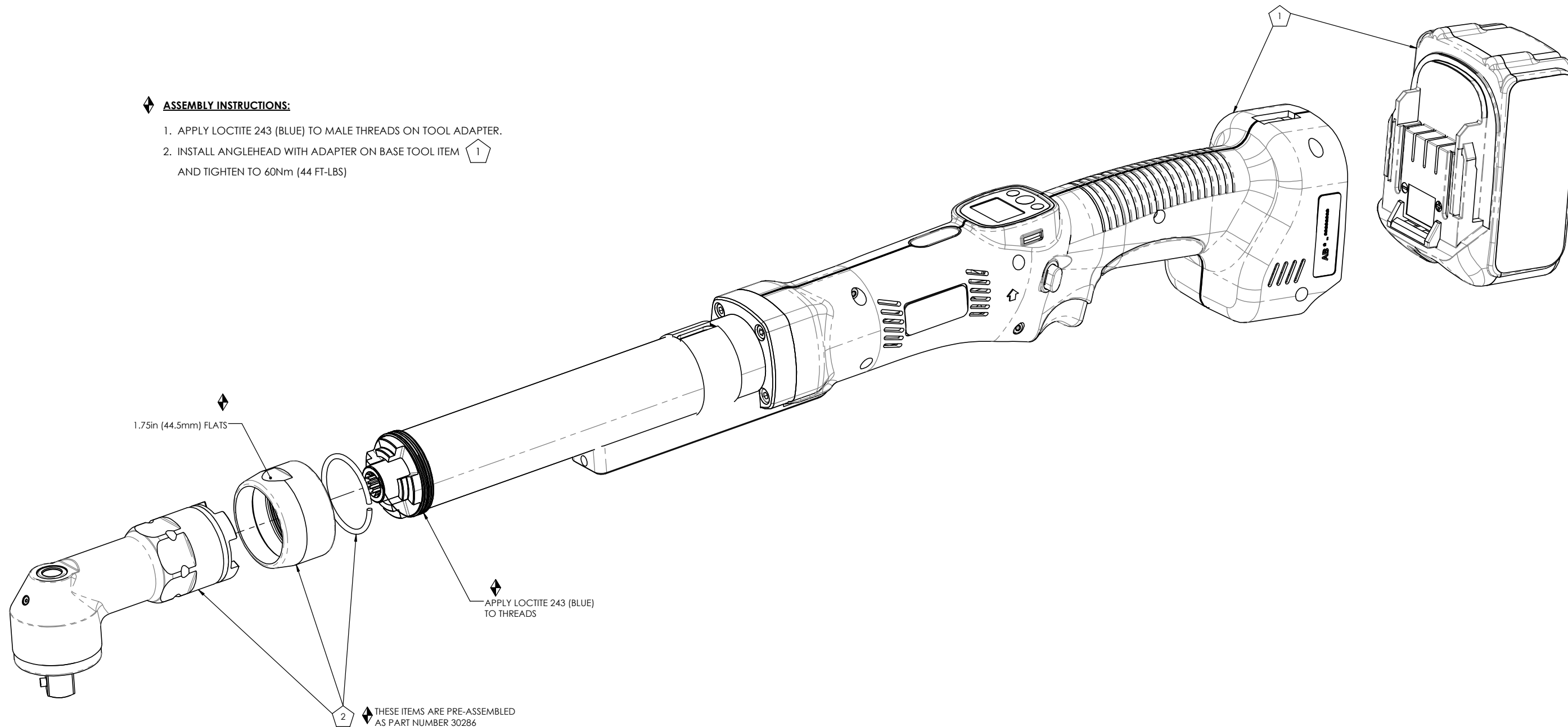


COMMENTS	ITEM NO.	PART NUMBER	QTY.	DESCRIPTION
	1	SEE CHART	1	CORDLESS NUTRUNNER, WITHOUT HEAD, 90Nm
INCLUDED IN ITEM 1		AB-B1850LI		BATTERY ASSEMBLY, 18V, LI-ION, 5.0 AH
	2	30286	1	ANGLEHEAD ASSEMBLY, S4 INTERFACE

TOOL MODEL	BASE TOOL WITHOUT HEAD	DESCRIPTION
ABN-MTA90	AB-MTA90	CORDLESS ANGLE NUTRUNNER, BASE, 90Nm
ABN-MTA90B	AB-MTA90B	CORDLESS ANGLE NUTRUNNER, W/BARCODE READER, 90Nm
ABN-MTA90W	AB-MTA90W	CORDLESS ANGLE NUTRUNNER, W/WIFI, 90Nm
ABN-MTA90WB	AB-MTA90WB	CORDLESS ANGLE NUTRUNNER, W/WIFI + BARCODE READER, 90Nm

ASSEMBLY INSTRUCTIONS:

1. APPLY LOCTITE 243 (BLUE) TO MALE THREADS ON TOOL ADAPTER.
2. INSTALL ANGLEHEAD WITH ADAPTER ON BASE TOOL ITEM 1 AND TIGHTEN TO 60Nm (44 FT-LBS)



- ◆ ASSEMBLY INSTRUCTIONS
- ◡ SUB-ASSEMBLY



DOCUMENT CONTROL
 PRINTED COPIES OF THIS DOCUMENT ARE CONSIDERED TO BE UNCONTROLLED DOCUMENTS. HOLDERS ARE RESPONSIBLE FOR VERIFYING THE CURRENT REVISION LEVEL WITH PURCHASING OR ENGINEERING PRIOR TO USE OR FABRICATION. THE CONTROLLED VERSION OF THIS DOCUMENT IS ELECTRONICALLY MAINTAINED.

PROPRIETARY AND CONFIDENTIAL
 THIS DRAWING CONTAINS INFORMATION STRICTLY CONFIDENTIAL TO ACRADYNE/AIMCO. IN THE ABSENCE OF EXPRESSED WRITTEN PERMISSION, ACRADYNE/AIMCO HAS LOANED THIS COPY WITH THE MUTUAL UNDERSTANDING THAT (A) IT WILL NOT BE USED FOR ANY PURPOSE OTHER THAN FOR THAT IN WHICH IT WAS PROVIDED, (B) THE DATA CONTAINED HEREIN WILL NOT BE DISCLOSED TO OTHERS, (C) IT WILL NOT BE REPRODUCED, AND (D) IT WILL BE RETURNED TO ACRADYNE/AIMCO IMMEDIATELY UPON DEMAND.

REVISION LEVEL	REVISION RELEASE DATE	DESCRIPTION OF CHANGES MADE TO PART	ECN #	AUTHOR/ APPROVAL

UNLESS OTHERWISE SPECIFIED, DIMENSIONS ARE IN INCHES
 DIMENSIONS AND TOLERANCING PER ANSI Y14.5
 SURFACE ROUGHNESS PER ANSI Y14.36

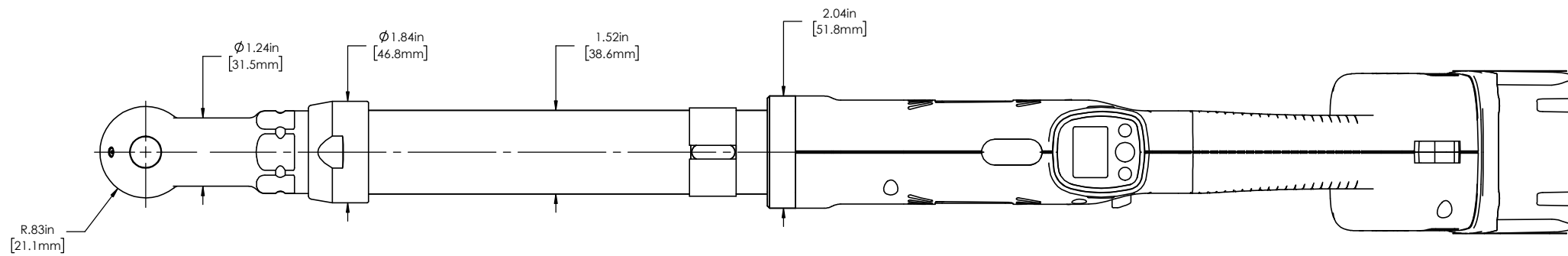
BLOCK TOLERANCING PER DECIMAL:
 .X = ±.030 .XX = ±.010 .XXX = ±.005 .XXXX = ±.0005
 ANGLE = ±0° 30'

REMOVE BURRS AND SHARP EDGES: R.015 MAX
 MACHINE SURFACE FINISH: 125 RMS OR BETTER

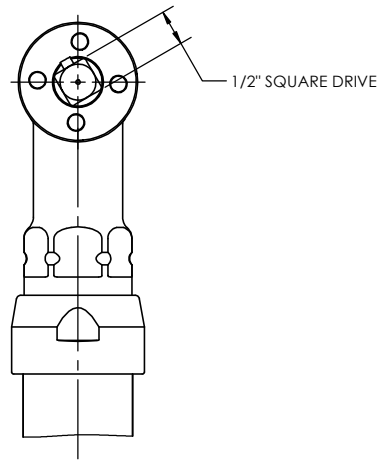
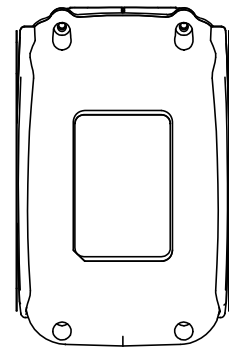
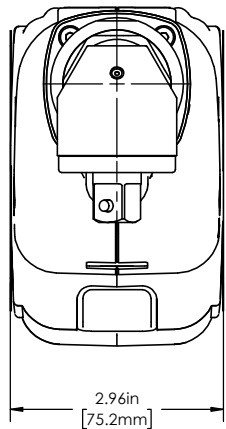
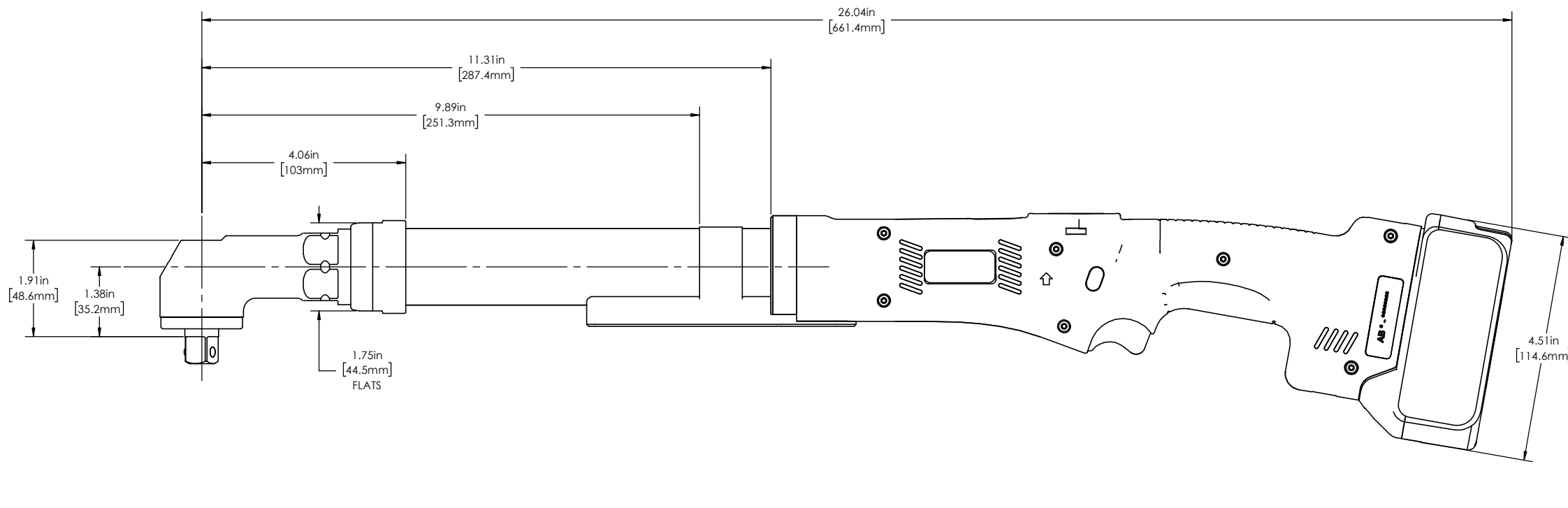
DRAWINGS AND TECHNICAL DOCUMENTS CONTROLLED BY:
 ACRADYNE MECHANICAL ENGINEERING

CORDLESS ANGLE NUTRUNNER, 90Nm		
CORDLESS SERIES		
SIZE D	PART / DRAWING NUMBER ABN-MTA90	REVISION A
SCALE 1:1	DO NOT SCALE DRAWING	SHEET 1 OF 2

REVISION BLOCK



TOOL MODELS
ABN-MTA90
ABN-MTA90B
ABN-MTA90W
ABN-MTA90WB



DOCUMENT CONTROL
 PRINTED COPIES OF THIS DOCUMENT ARE CONSIDERED TO BE UNCONTROLLED DOCUMENTS. HOLDERS ARE RESPONSIBLE FOR VERIFYING THE CURRENT REVISION LEVEL WITH PURCHASING OR ENGINEERING PRIOR TO USE OR FABRICATION. THE CONTROLLED VERSION OF THIS DOCUMENT IS ELECTRONICALLY MAINTAINED.

PROPRIETARY AND CONFIDENTIAL
 THIS DRAWING CONTAINS INFORMATION STRICTLY CONFIDENTIAL TO ACRADYNE/AIMCO. IN THE ABSENCE OF EXPRESSED WRITTEN PERMISSION, ACRADYNE/AIMCO HAS LOANED THIS COPY WITH THE MUTUAL UNDERSTANDING THAT (A) IT WILL NOT BE USED FOR ANY PURPOSE OTHER THAN FOR THAT IN WHICH IT WAS PROVIDED, (B) THE DATA CONTAINED HEREIN WILL NOT BE DISCLOSED TO OTHERS, (C) IT WILL NOT BE REPRODUCED, AND (D) IT WILL BE RETURNED TO ACRADYNE/AIMCO IMMEDIATELY UPON DEMAND.

REVISION LEVEL	REVISION RELEASE DATE	DESCRIPTION OF CHANGES MADE TO PART	ECN #	AUTHOR/ APPROVAL

UNLESS OTHERWISE SPECIFIED, DIMENSIONS ARE IN INCHES
 DIMENSIONS AND TOLERANCING PER ANSI Y14.5
 SURFACE ROUGHNESS PER ANSI Y14.36

BLOCK TOLERANCING PER DECIMAL:
 .X = ±.030 .XX = ±.010 .XXX = ±.005 .XXXX = ±.0005
 ANGLE = ±0° 30'

REMOVE BURRS AND SHARP EDGES: R.015 MAX
 MACHINE SURFACE FINISH: 125 RMS OR BETTER

DRAWINGS AND TECHNICAL DOCUMENTS CONTROLLED BY:
ACRADYNE MECHANICAL ENGINEERING

CORDLESS ANGLE NUTRUNNER, 90Nm

CORDLESS SERIES

SIZE	PART / DRAWING NUMBER	REVISION
D	ABN-MTA90	A

SCALE 3:4 DO NOT SCALE DRAWING SHEET 2 OF 2