

- ◆ ASSEMBLY INSTRUCTIONS  
 ◡ SUB-ASSEMBLY
- GEARS & SPLINES: LUBRICATE WITH DOW CORNING MOLYKOTE BR2 PLUS GREASE.
  - BEARINGS: LUBRICATE WITH CHEVRON SR1 GREASE
  - O-RINGS: LUBRICATE WITH O-RING LUBE

DETAIL A  
SCALE 1 : 1

DETAIL B  
SCALE 1 : 1

COMMENTS	ITEM NO.	PART NUMBER	QTY.	DESCRIPTION
	1	SEE CHART	1	MOTOR ASM.
	2	24840	1	FOIL SEAL 2" DIA
	3	29335	4	STANDOFF, M-F, 4-40 X 3/16, SS
	4	27797	1	TID BOARD, POPULATED W/O AMP CIRCUIT
	5	29337	3	STANDOFF, M-F, 4-40 X 1/8, SS
	6	25574	1	STANDOFF M-F, 4-40x1/4, 3/16 HEX, SS
	7	29338	1	TID WIRE INSULATOR
	8	25573	4	SCREW PHP 4-40 X 3/16 18-8 SS
	9	25490	2	LENS, LED
	10	25225	1	END GRIP CAP, HT TOOLS
	11	25568	4	SHC 10-32 x 1.25 BLK OXIDE
	12	25229	1	AXIAL HANDLE, HT TOOLS
	13	SEE CHART	1	GEAR BOX ASM.
	14	27714	2	O-RING 3" ID
	15	27978	1	SLIP RING INNER PLATE
	16	28278	1	SLIP RING OUTER PLATE SUB-ASM.
SEE WORK INSTRUCTIONS	17	SEE CHART	1	SLIP RING SET
	18	27994	6	DOWEL PIN, Ø.0938 X .1875 LG., STEEL
	19	28000	1	CABLE TIE-MOUNT
	20	28257	4	CABLE TIE, 1.65MM W X 71MM LG
	21	24940	1	SCREW, FHSC 4-40 X .25 LG., STEEL, BLACK OXIDE
	22	27993	6	SCREW, FHPM, 2-56, 18-8SS, PLAIN
	23	27953	1	O-RING, 70 DURO BUNA N, -.042
	24	20105	8	DETENT BALL
	25	28174	8	SPRING, COMPRESSION
	26	25745	2	SCREW, BHSC 4-40 STEEL, BLACK OXIDE
	27	25969	2	BEARING, BALL, Ø42mm X Ø30mm X 7mm
	28	25961	1	BEARING RETAINER, INNER
	29	25962	1	BEARING RETAINER, OUTER
	30	27980	1	SLIP RING PINION ADAPTER
	31	26080	1	O-RING, LED LIGHT RING COVER
	32	25212	1	SWITCH SUB-ASSEMBLY
NOT SHOWN	33	25582	1	TRIGGER CABLE
	34	25505	1	TOOL CONNECTOR ASM HERC PISTOL
	35	25231	1	TRAY, WIRE, END GRIP
	36	25569	10	SCREW LHCS 10-32 X 3/8 18-8 SS
	37	25564	3	WASHER SHIM .093THK .25ID .375OD
	38	29284	3	SCREW, BHSC, TORX, 10-32 X 1/2, STEEL
	39	29279	9	SCREW, BHSC, TORX, 10-32 X 3/8, STEEL
	40	25218	3	SCREW, BHSC, 6-32 X 5/16, SS
	41	28203	1	HT TOOL TRANSDUCER SLEEVE
	42	26898	1	CHOOSE REACTION BAR
	43	25579	1	PLUG 3/8"

◆ NOTE:  
SEE WORK INSTRUCTION DOCUMENT "EWI-011"  
FOR COMPLETE ASSEMBLY INSTRUCTIONS.

MODEL NO.	MOTOR ASM.	GEARBOX ASM.	SLIP RING SET
AED4B884200B		28112	
AED4B884200B1	25224	28113	27983.002
AED4W884650B		28112	
AED4W884650B1		28113	27983.003
AED4B885000B	26160	28112	
AED4B885000B1		28113	27983.004



**DOCUMENT CONTROL**  
 PRINTED COPIES OF THIS DOCUMENT ARE CONSIDERED TO BE UNCONTROLLED DOCUMENTS. HOLDERS ARE RESPONSIBLE FOR VERIFYING THE CURRENT REVISION LEVEL WITH PURCHASING OR ENGINEERING PRIOR TO USE OR FABRICATION. THE CONTROLLED VERSION OF THIS DOCUMENT IS ELECTRONICALLY MAINTAINED.

**PROPRIETARY AND CONFIDENTIAL**  
 THIS DRAWING CONTAINS INFORMATION STRICTLY CONFIDENTIAL TO ACRADYNE/AIMCO. IN THE ABSENCE OF EXPRESSED WRITTEN PERMISSION, ACRADYNE/AIMCO HAS LOANED THIS COPY WITH THE MUTUAL UNDERSTANDING THAT (A) IT WILL NOT BE USED FOR ANY PURPOSE OTHER THAN FOR THAT IN WHICH IT WAS PROVIDED, (B) THE DATA CONTAINED HEREIN WILL NOT BE DISCLOSED TO OTHERS, (C) IT WILL NOT BE REPRODUCED, AND (D) IT WILL BE RETURNED TO ACRADYNE/AIMCO IMMEDIATELY UPON DEMAND.

REVISION BLOCK

**UNLESS OTHERWISE SPECIFIED, DIMENSIONS ARE IN INCHES**  
 DIMENSIONS AND TOLERANCING PER ANSI Y14.5 SURFACE ROUGHNESS PER ANSI Y14.36

**BLOCK TOLERANCING PER DECIMAL:**  
 .X = ±.030 .XX = ±.010 .XXX = ±.005 .XXXX = ±.0005 ANGLE = ±0°30'

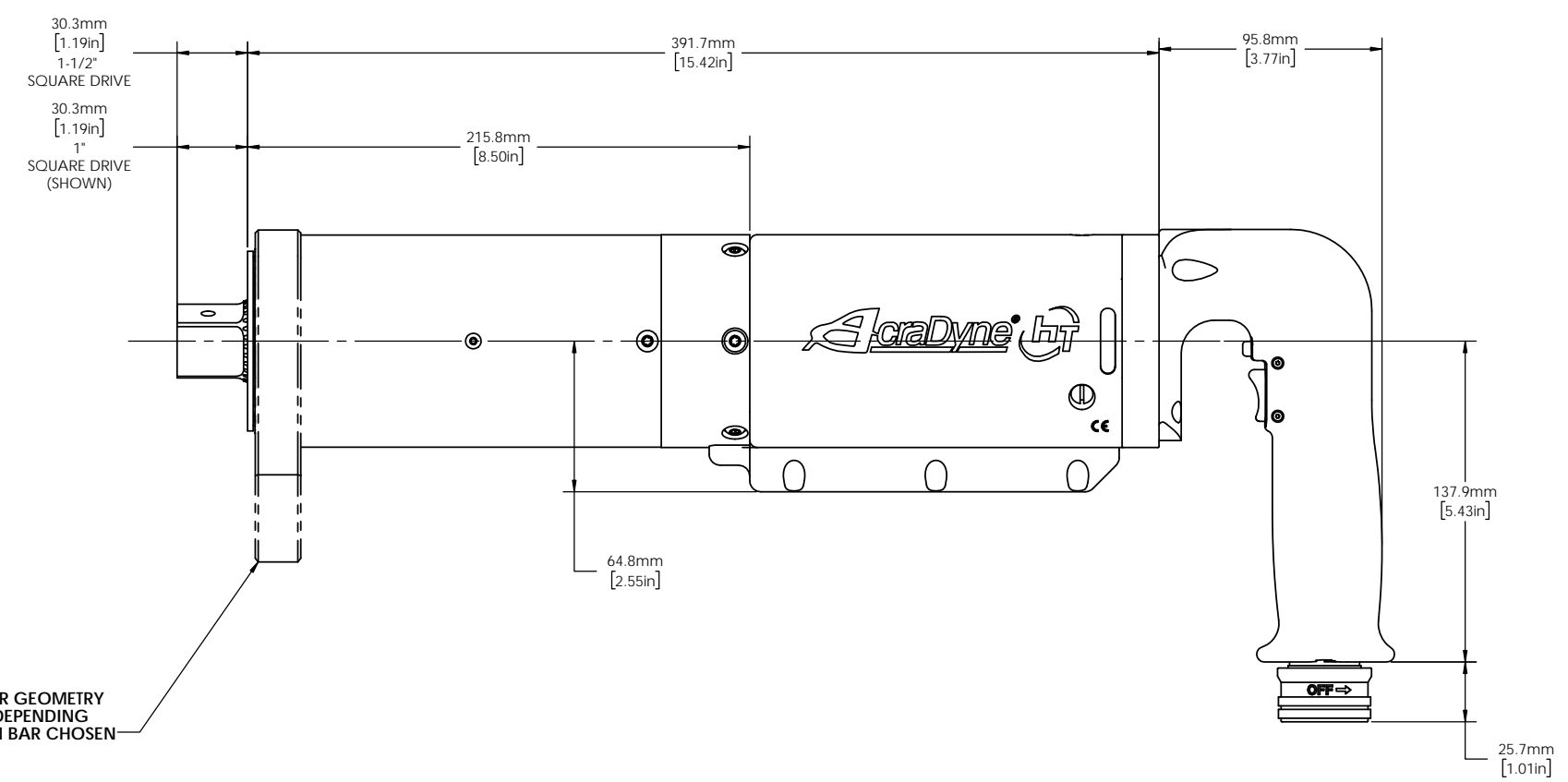
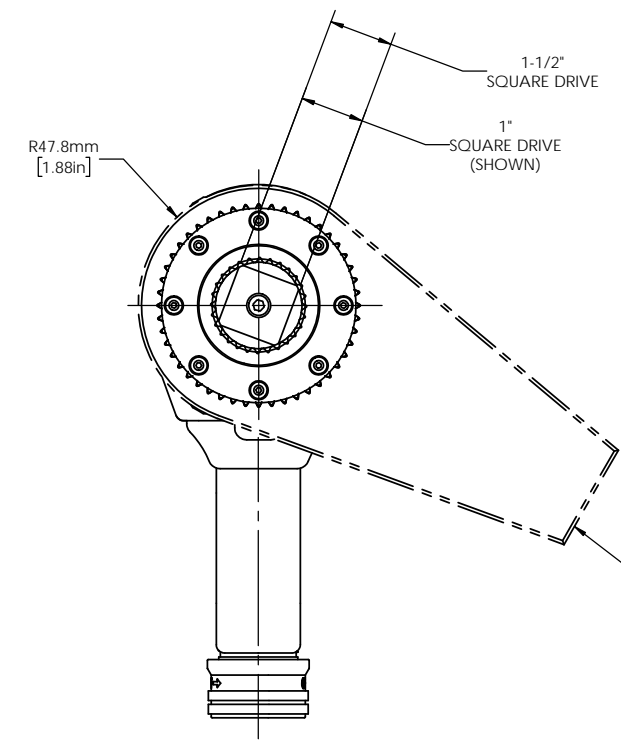
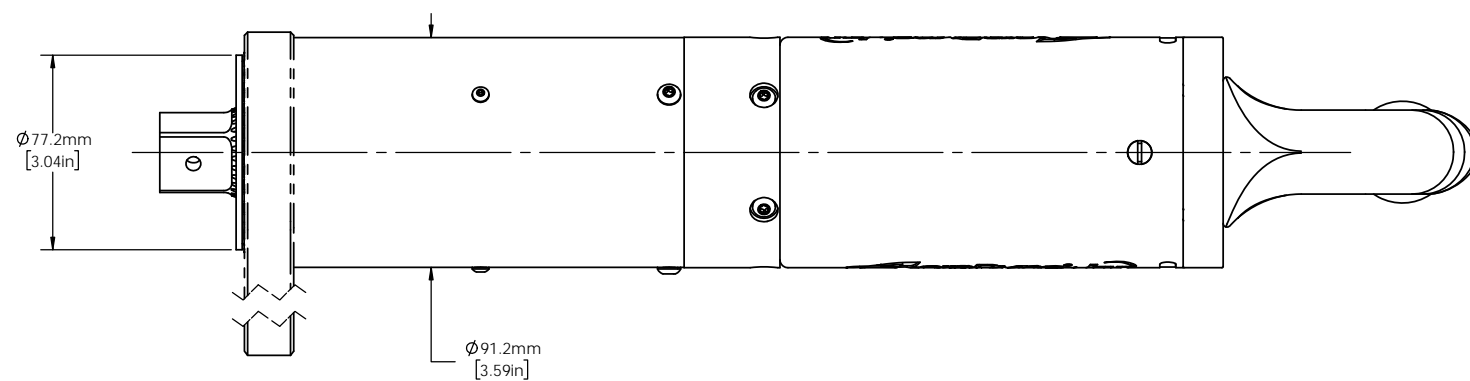
REMOVE BURRS AND SHARP EDGES: R.015 MAX MACHINE SURFACE FINISH: 125 RMS OR BETTER

DRAWINGS AND TECHNICAL DOCUMENTS CONTROLLED BY:  
**ACRADYNE MECHANICAL ENGINEERING**

**"D" HANDLE NUTRUNNER W/SLIP RING CLUTCH 8000 SERIES**

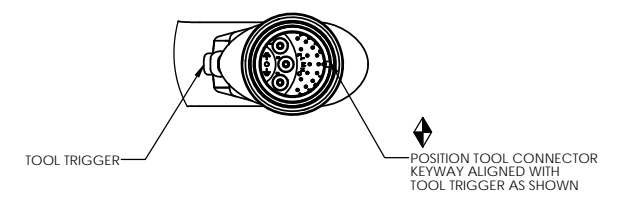
SIZE	PART / DRAWING NUMBER	REVISION
D	AED4_88__ _ _ _ B_	B

SCALE 1:8 DO NOT SCALE DRAWING SHEET 1 OF 2



NOTE:  
REACTION BAR GEOMETRY  
TO CHANGE DEPENDING  
ON REACTION BAR CHOSEN

MODEL NO.	SQUARE DRIVE
AED4B884200B	1-1/2"
AED4B884200B1	1"
AED4W884650B	1-1/2"
AED4W884650B1	1"
AED4B885000B	1-1/2"
AED4B885000B1	1"



**DOCUMENT CONTROL**  
PRINTED COPIES OF THIS DOCUMENT ARE CONSIDERED TO BE UNCONTROLLED DOCUMENTS. HOLDERS ARE RESPONSIBLE FOR VERIFYING THE CURRENT REVISION LEVEL WITH PURCHASING OR ENGINEERING PRIOR TO USE OR FABRICATION. THE CONTROLLED VERSION OF THIS DOCUMENT IS ELECTRONICALLY MAINTAINED.

**PROPRIETARY AND CONFIDENTIAL**  
THIS DRAWING CONTAINS INFORMATION STRICTLY CONFIDENTIAL TO ACRADYNE/AIMCO. IN THE ABSENCE OF EXPRESSED WRITTEN PERMISSION, ACRADYNE/AIMCO HAS LOANED THIS COPY WITH THE MUTUAL UNDERSTANDING THAT (A) IT WILL NOT BE USED FOR ANY PURPOSE OTHER THAN FOR THAT IN WHICH IT WAS PROVIDED, (B) THE DATA CONTAINED HEREIN WILL NOT BE DISCLOSED TO OTHERS, (C) IT WILL NOT BE REPRODUCED, AND (D) IT WILL BE RETURNED TO ACRADYNE/AIMCO IMMEDIATELY UPON DEMAND.

REVISION BLOCK

**UNLESS OTHERWISE SPECIFIED, DIMENSIONS ARE IN INCHES**  
DIMENSIONS AND TOLERANCING PER ANSI Y14.5  
SURFACE ROUGHNESS PER ANSI Y14.36

**BLOCK TOLERANCING PER DECIMAL:**  
.X = ±.030 .XX = ±.010 .XXX = ±.005 .XXXX = ±.0005  
ANGLE = ±0° 30'

REMOVE BURRS AND SHARP EDGES: R.015 MAX  
MACHINE SURFACE FINISH: 125 RMS OR BETTER

DRAWINGS AND TECHNICAL DOCUMENTS CONTROLLED BY:  
**ACRADYNE MECHANICAL ENGINEERING**

**"D" HANDLE NUTRUNNER  
W/SLIP RING CLUTCH  
8000 SERIES**

SIZE	PART / DRAWING NUMBER	REVISION
<b>D</b>	<b>AED4_88_ _ _ B_</b>	<b>B</b>
SCALE 1:8	DO NOT SCALE DRAWING	SHEET 2 OF 2