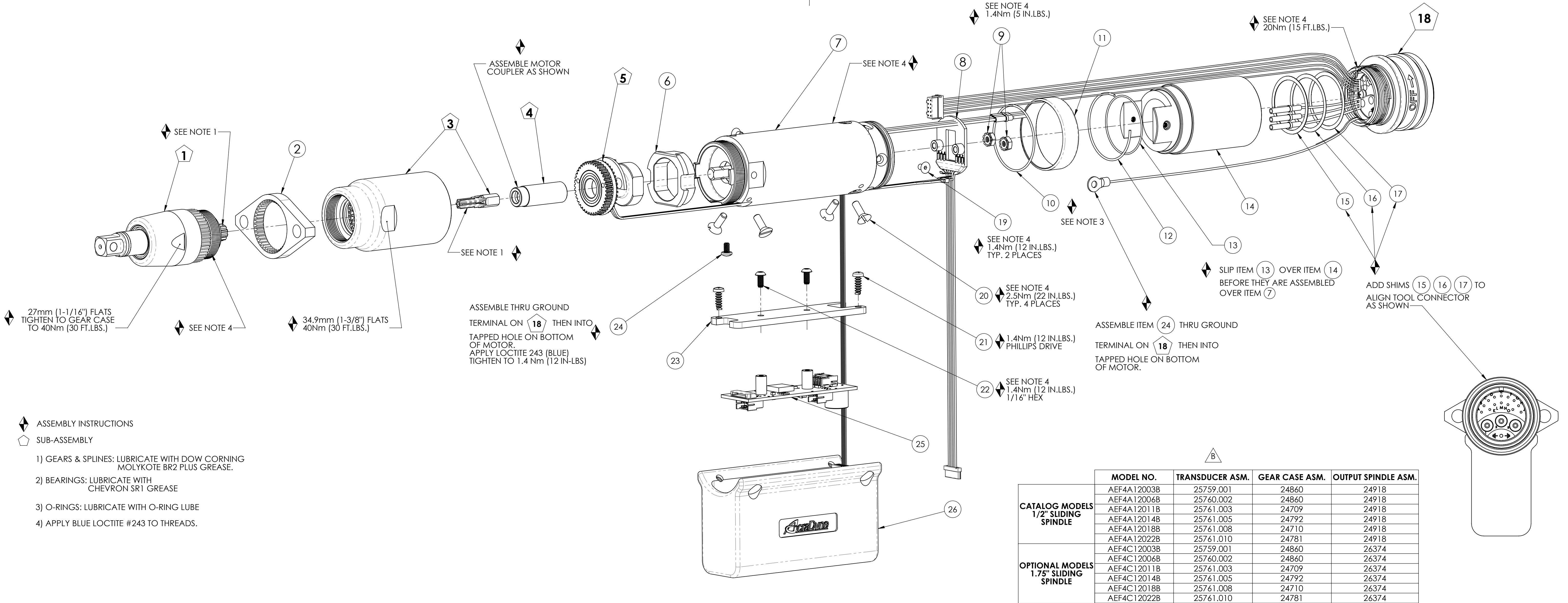


COMMENTS	ITEM NO.	Number	QTY.	DESCRIPTION
	1	SEE CHART	1	RETRACTABLE OUTPUT SPINDLE ASM, 3/8 SQ
	2	24924	1	MOUNTING FLANGE
	3	SEE CHART	1	GEAR CASE SUB-ASM.
	4	24780	1	MOTOR COUPLER SUB-ASM.
	5	SEE CHART	1	TRANSDUCER SUB-ASM.
	6	25763	1	TRANSDUCER ADAPTOR
	7	26218	1	PISTOL MOTOR ASM.
	8	26599	1	LED PCB ASSY, PISTOL
	9	20893	2	#4-40 NUT
	10	24687	1	O-RING, LIGHT RING, LEVER
	11	24873	1	LIGHT RING
	12	24686	1	RETAINING RING, LEVER LIGHT RING
	13	24731	1	O-RING, RING GEAR
	14	24909	1	STRAIGHT ADAPTOR, PISTOL TOOL CONNECTOR
	15	25273	1	SHIM. - .010
	16	25272	1	SHIM. - .005
	17	25271	1	SHIM. - .002
	18	26141	1	TOOL CONNECTOR ASM., FIXTURED TOOLS
	19	25138	2	SCREW, FHC 4-40 X .312, STEEL, BLACK OXIDE
	20	24933	4	FLAT HEAD CAP SCREW
	21	24917	2	BHCS, #4 x .38 LG TAP-TITE
	22	24914	2	BHCS, #4-40 x .25 LG
	23	24913	1	CIRCUIT BOARD MOUNTING PLATE
	24	25419	1	SCREW, PHM 4-40 X .188, STEEL, PLAIN
	25	25849	1	T.I.D. BOARD ASM., PISTOL
	26	24912	1	COVER, CIRCUIT BOARD



	MODEL NO.	TRANSDUCER ASM.	GEAR CASE ASM.	OUTPUT SPINDLE ASM.
CATALOG MODELS 1/2" SLIDING SPINDLE	AEF4A12003B	25759.001	24860	24918
	AEF4A12006B	25760.002	24860	24918
	AEF4A12011B	25761.003	24709	24918
	AEF4A12014B	25761.005	24792	24918
	AEF4A12018B	25761.008	24710	24918
	AEF4A12022B	25761.010	24781	24918
OPTIONAL MODELS 1.75" SLIDING SPINDLE	AEF4C12003B	25759.001	24860	26374
	AEF4C12006B	25760.002	24860	26374
	AEF4C12011B	25761.003	24709	26374
	AEF4C12014B	25761.005	24792	26374
	AEF4C12018B	25761.008	24710	26374
	AEF4C12022B	25761.010	24781	26374

REQUIRED TOOLING
SNAP-ON CROWFOOT WRENCH, 1/2" SQ. DR. X 1-3/8" OPENING SNAP-ON PART NUMBER SC044
MAGNETIC VISE JAWS - PART NUMBER 1000-100
LOCTITE #243 BLUE
TORQUE WRENCH, 1/2" DRIVE



DOCUMENT CONTROL
PRINTED COPIES OF THIS DOCUMENT ARE CONSIDERED TO BE UNCONTROLLED DOCUMENTS. HOLDERS ARE RESPONSIBLE FOR VERIFYING THE CURRENT REVISION LEVEL WITH PURCHASING OR ENGINEERING PRIOR TO USE OR FABRICATION. THE CONTROLLED VERSION OF THIS DOCUMENT IS ELECTRONICALLY MAINTAINED.

PROPRIETARY AND CONFIDENTIAL
THIS DRAWING CONTAINS INFORMATION STRICTLY CONFIDENTIAL TO ACRADYNE/AIMCO. IN THE ABSENCE OF EXPRESSED WRITTEN PERMISSION, ACRADYNE/AIMCO HAS LOANED THIS COPY WITH THE MUTUAL UNDERSTANDING THAT (A) IT WILL NOT BE USED FOR ANY PURPOSE OTHER THAN FOR THAT IN WHICH IT WAS PROVIDED, (B) THE DATA CONTAINED HEREIN WILL NOT BE DISCLOSED TO OTHERS, (C) IT WILL NOT BE REPRODUCED, AND (D) IT WILL BE RETURNED TO ACRADYNE/AIMCO IMMEDIATELY UPON DEMAND.

REVISION LEVEL	REVISION RELEASE DATE	DESCRIPTION OF CHANGES MADE TO PART	ECN #	AUTHOR/ APPROVAL

UNLESS OTHERWISE SPECIFIED, DIMENSIONS ARE IN INCHES
DIMENSIONS AND TOLERANCING PER ANSI Y14.5
SURFACE ROUGHNESS PER ANSI Y14.36

BLOCK TOLERANCING PER DECIMAL:
X = ±.030 .XX = ±.010 .XXX = ±.005 .XXXX = ±.0005
ANGLE = ±0° 30'

REMOVE BURRS AND SHARP EDGES: R.015 MAX
MACHINE SURFACE FINISH: 125 RMS OR BETTER

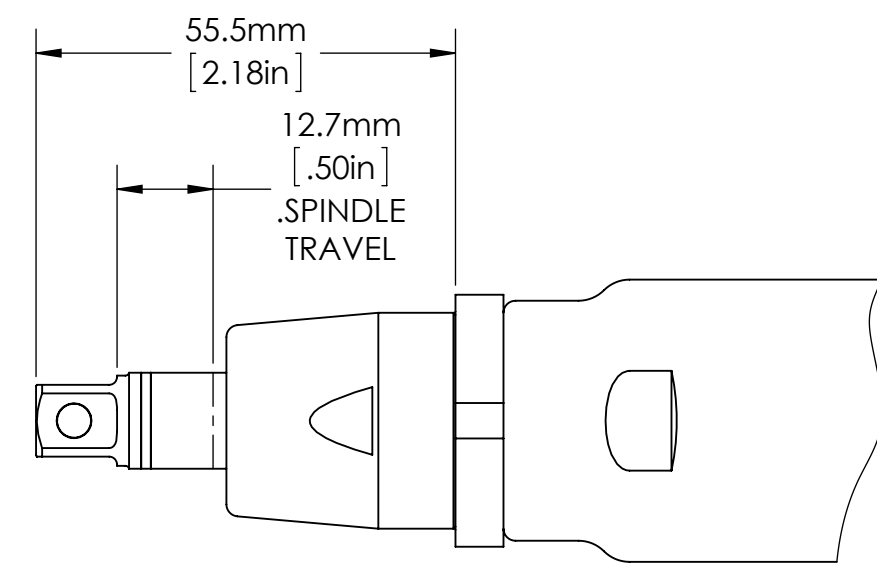
DRAWINGS AND TECHNICAL DOCUMENTS CONTROLLED BY:
ACRADYNE MECHANICAL ENGINEERING

AEF4_12__B - FIXTURED NUTRUNNER

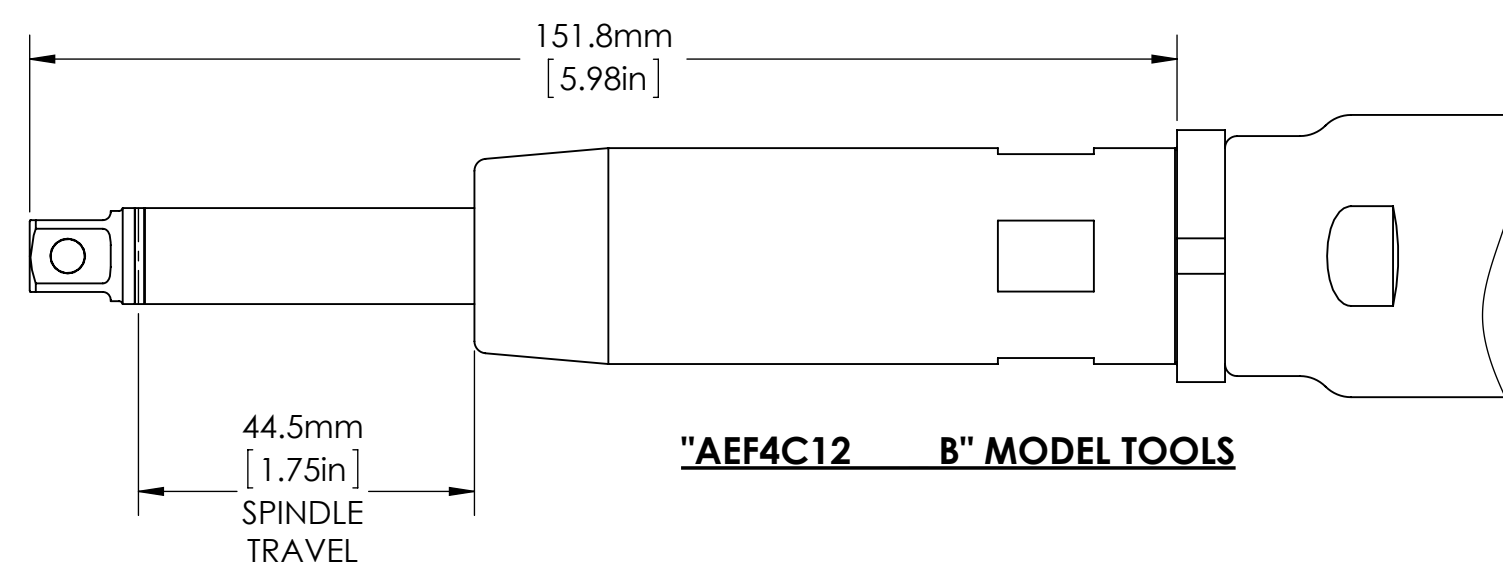
1000 SERIES

SIZE	PART / DRAWING NUMBER	REVISION
D	AEF4_12__B	B

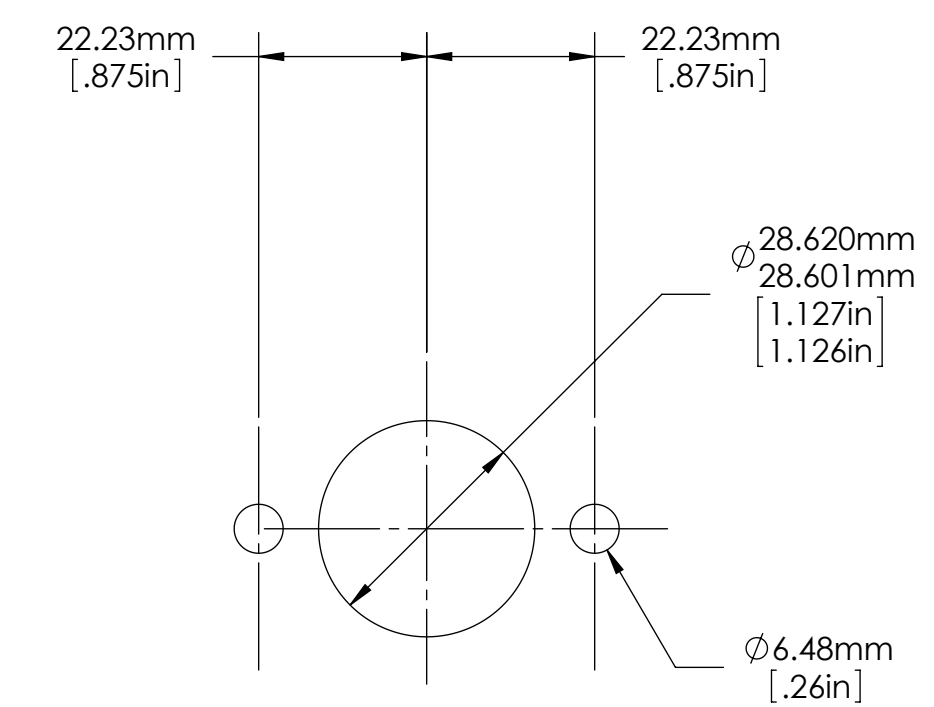
SCALE: 1:1 DO NOT SCALE DRAWING SHEET 1 OF 2



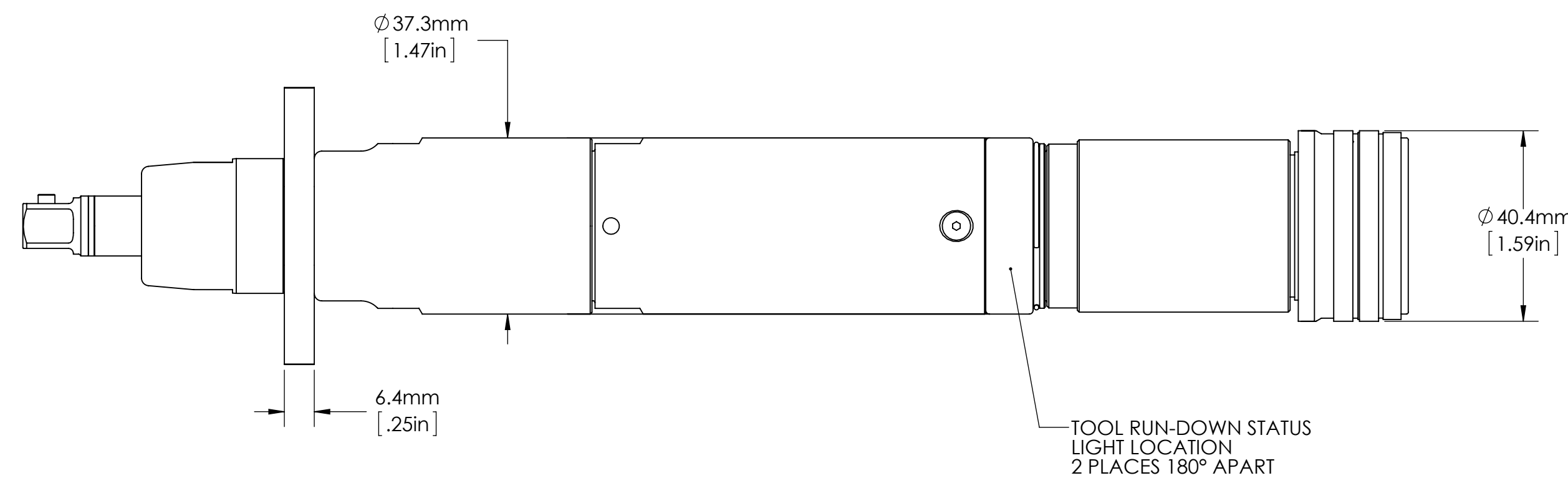
"AEF4A12 B" MODEL TOOLS



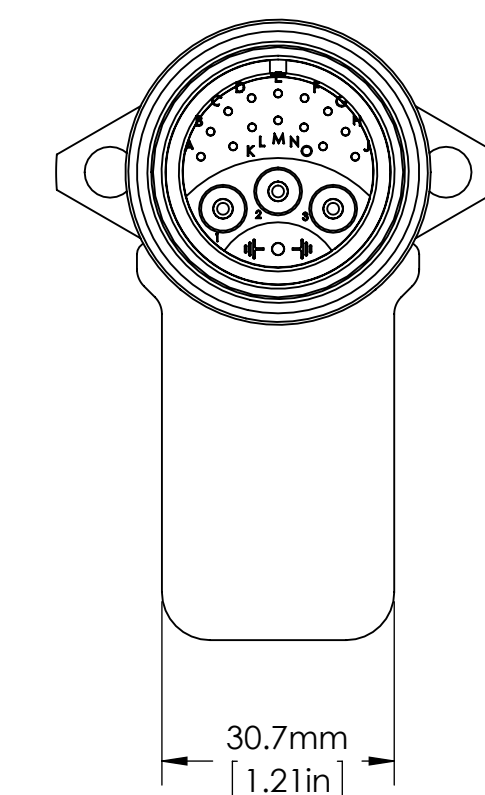
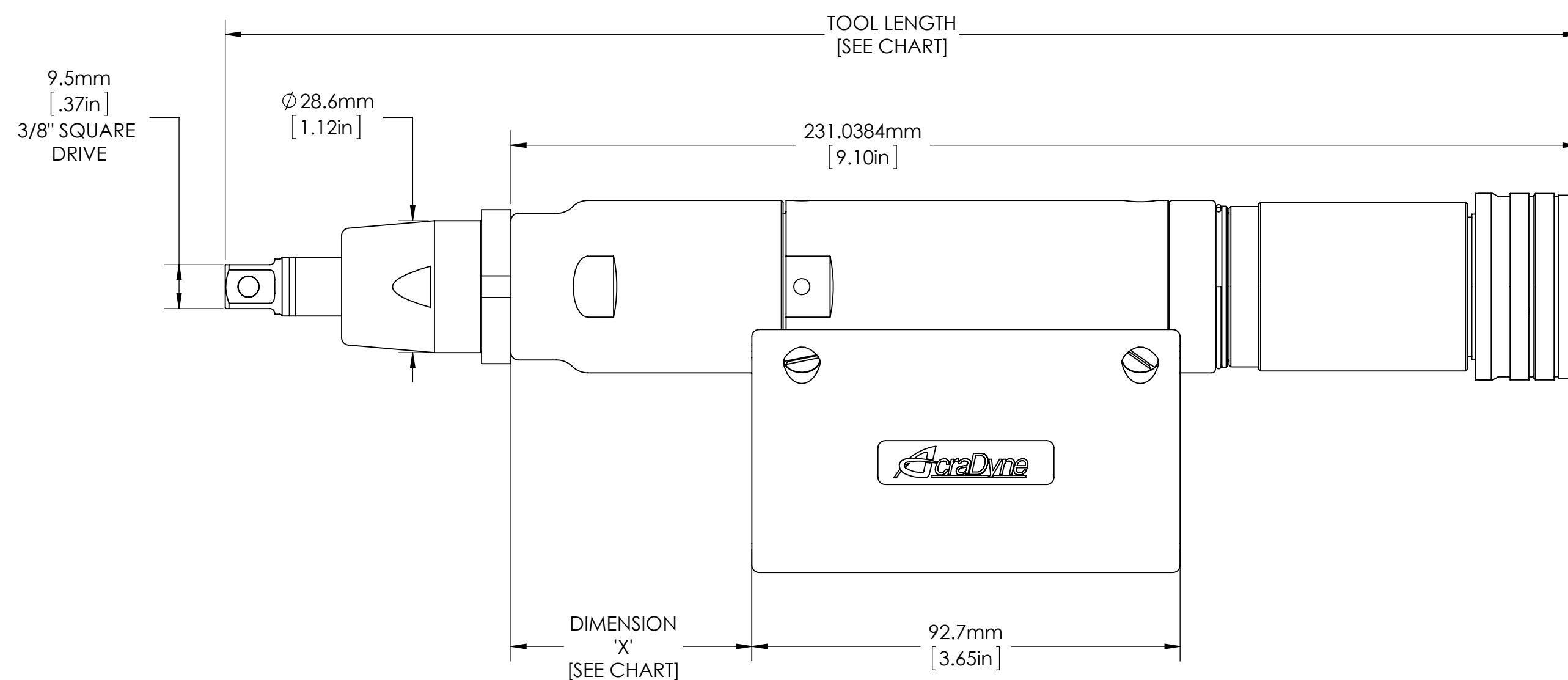
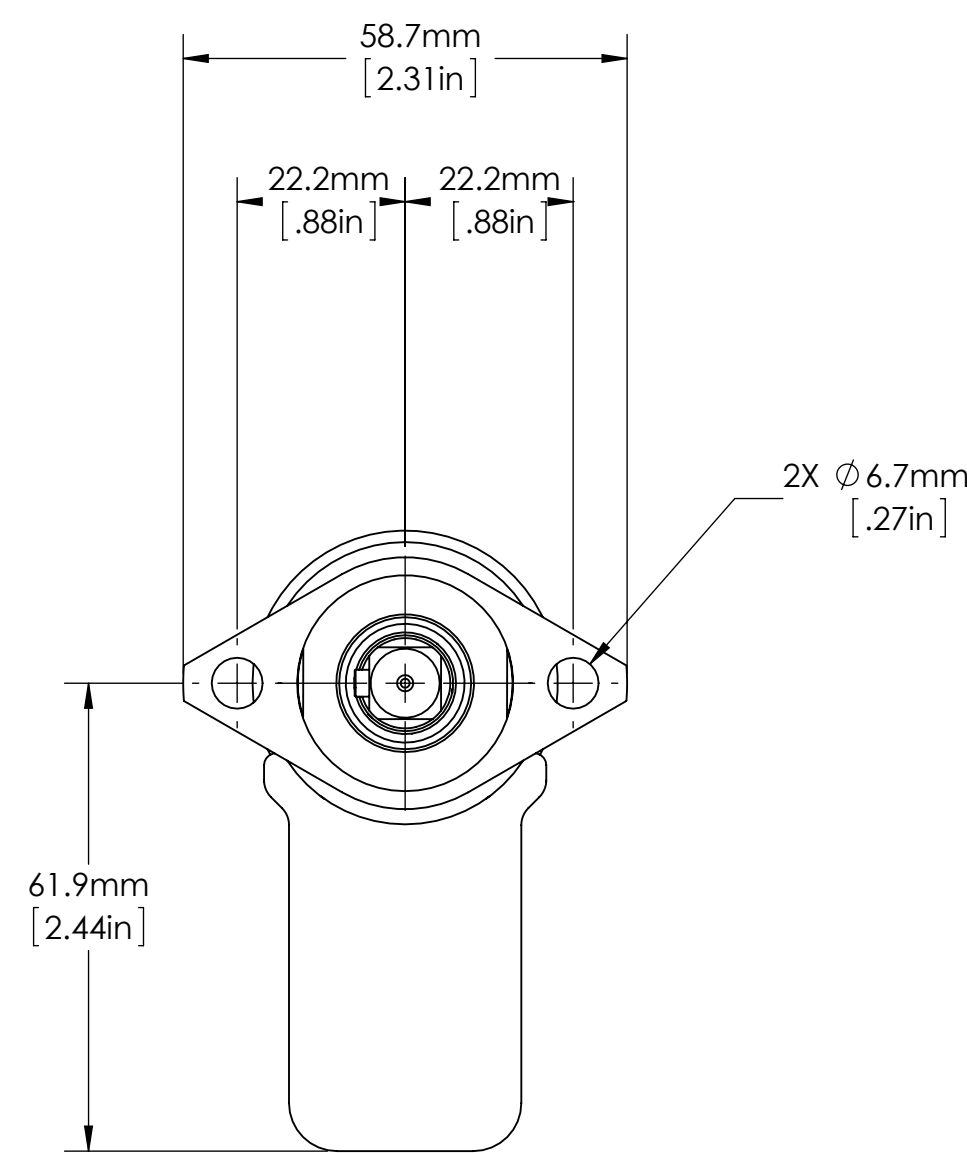
"AEF4C12 B" MODEL TOOLS



MOUNTING PLATE DIMENSIONS (SUPPLIED BY CUSTOMER)



TOOL RUN-DOWN STATUS LIGHT LOCATION 2 PLACES 180° APART



	MODEL NO.	TOOL LENGTH	X
CATALOG MODELS 1/2" SLIDING SPINDLE	AEF4A12003B	292.9mm [11.53in]	52.2mm [2.05in]
	AEF4A12006B	292.9mm [11.53in]	52.2mm [2.05in]
	AEF4A12011B	309.8mm [12.20in]	69.2mm [2.72in]
	AEF4A12014B	309.8mm [12.20in]	69.2mm [2.72in]
	AEF4A12018B	309.8mm [12.20in]	69.2mm [2.72in]
OPTIONAL MODELS 1.75" SLIDING SPINDLE	AEF4A12022B	309.8mm [12.20in]	69.2mm [2.72in]
	AEF4C12003B	389.2mm [15.32in]	52.2mm [2.05in]
	AEF4C12006B	389.2mm [15.32in]	52.2mm [2.05in]
	AEF4C12011B	406.1mm [15.99in]	69.2mm [2.72in]
	AEF4C12014B	406.1mm [15.99in]	69.2mm [2.72in]
	AEF4C12018B	406.1mm [15.99in]	69.2mm [2.72in]
	AEF4C12022B	406.1mm [15.99in]	69.2mm [2.72in]



DOCUMENT CONTROL
 PRINTED COPIES OF THIS DOCUMENT ARE CONSIDERED TO BE UNCONTROLLED DOCUMENTS. HOLDERS ARE RESPONSIBLE FOR VERIFYING THE CURRENT REVISION LEVEL WITH PURCHASING OR ENGINEERING PRIOR TO USE OR FABRICATION. THE CONTROLLED VERSION OF THIS DOCUMENT IS ELECTRONICALLY MAINTAINED.

PROPRIETARY AND CONFIDENTIAL
 THIS DRAWING CONTAINS INFORMATION STRICTLY CONFIDENTIAL TO ACRADYNE/AIMCO. IN THE ABSENCE OF EXPRESSED WRITTEN PERMISSION, ACRADYNE/AIMCO HAS LOANED THIS COPY WITH THE MUTUAL UNDERSTANDING THAT (A) IT WILL NOT BE USED FOR ANY PURPOSE OTHER THAN FOR THAT IN WHICH IT WAS PROVIDED, (B) THE DATA CONTAINED HEREIN WILL NOT BE DISCLOSED TO OTHERS, (C) IT WILL NOT BE REPRODUCED, AND (D) IT WILL BE RETURNED TO ACRADYNE/AIMCO IMMEDIATELY UPON DEMAND.

REVISION LEVEL	REVISION RELEASE DATE	DESCRIPTION OF CHANGES MADE TO PART	ECN #	AUTHOR/ APPROVAL

UNLESS OTHERWISE SPECIFIED, DIMENSIONS ARE IN INCHES
 DIMENSIONS AND TOLERANCING PER ANSI Y14.5
 SURFACE ROUGHNESS PER ANSI Y14.36

BLOCK TOLERANCING PER DECIMAL:
 X = ±.030 XX = ±.010 XXX = ±.005 XXXX = ±.0005
 ANGLE = ±0° 30'

REMOVE BURRS AND SHARP EDGES: R.015 MAX
 MACHINE SURFACE FINISH: 125 RMS OR BETTER

DRAWINGS AND TECHNICAL DOCUMENTS CONTROLLED BY:
ACRADYNE MECHANICAL ENGINEERING

**AEF4_12__B
 FIXTURED NUTRUNNER
 OUTLINE DRAWING
 1000 SERIES**

SIZE D	PART / DRAWING NUMBER AEF4_12__B	REVISION B
------------------	--	----------------------

SCALE: 1:1 DO NOT SCALE DRAWING SHEET 2 OF 2

REVISION BLOCK