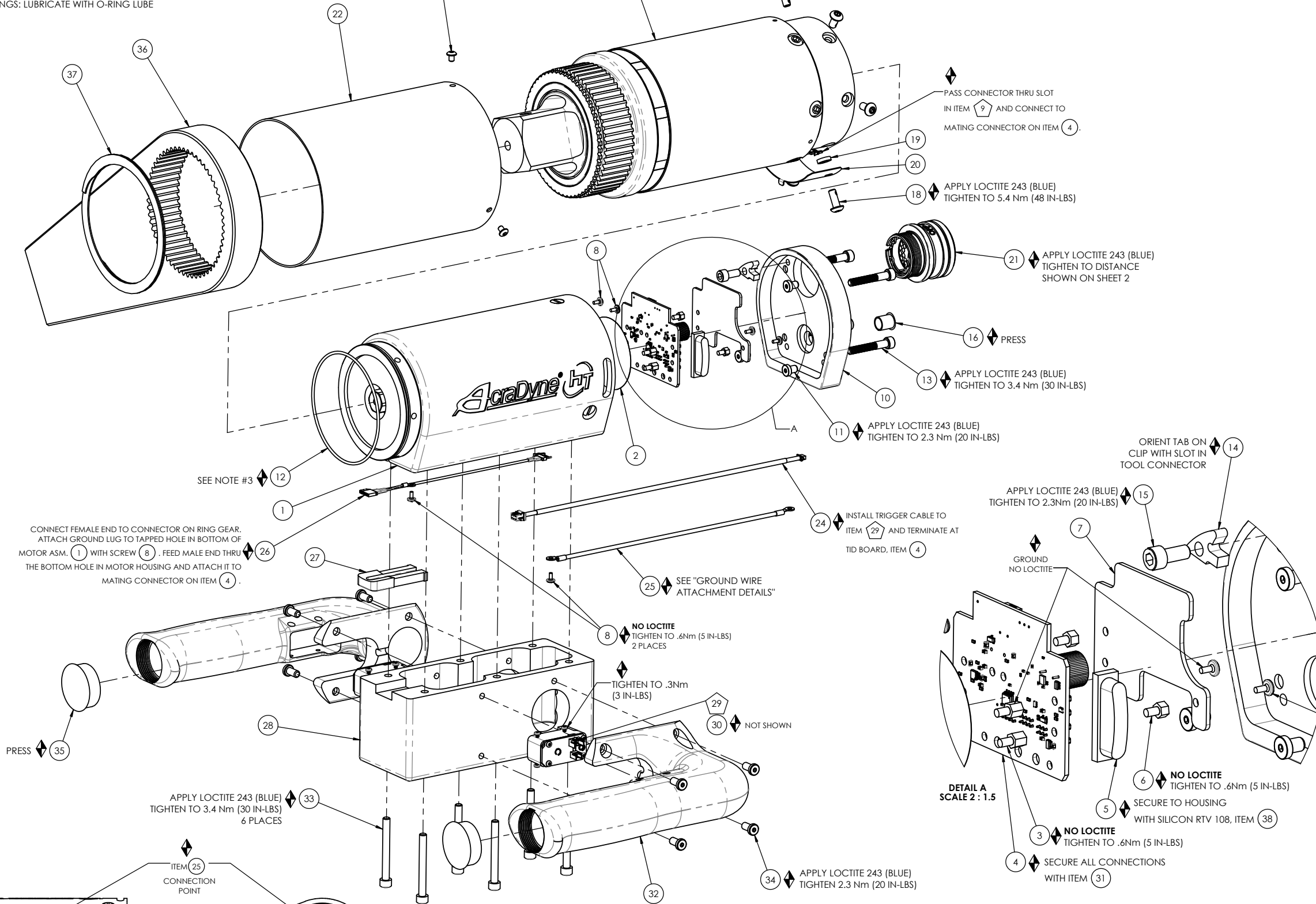


- ◆ ASSEMBLY INSTRUCTIONS
- ◻ SUB-ASSEMBLY

- 1) GEARS & SPLINES: LUBRICATE WITH DOW CORNING MOLYKOTE BR2 PLUS GREASE.
- 2) BEARINGS: LUBRICATE WITH CHEVRON SR1 GREASE
- 3) O-RINGS: LUBRICATE WITH O-RING LUBE

APPLY LOCTITE 222 (PURPLE) TIGHTEN TO 1.0Nm (9IN-LBS) ◆ 23

APPLY LOCTITE 243 (BLUE) TIGHTEN TO 5.4Nm (48 IN-LBS) ◆ 17

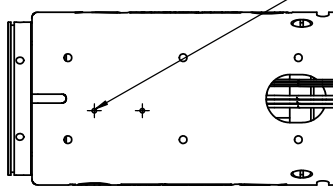


CONNECT FEMALE END TO CONNECTOR ON RING GEAR. ATTACH GROUND LUG TO TAPPED HOLE IN BOTTOM OF MOTOR ASM. (1) WITH SCREW (8). FEED MALE END THRU THE BOTTOM HOLE IN MOTOR HOUSING AND ATTACH IT TO MATING CONNECTOR ON ITEM (4).

SEE NOTE #3 ◆ 12

APPLY LOCTITE 243 (BLUE) TIGHTEN TO 3.4 Nm (30 IN-LBS) 6 PLACES ◆ 33

GROUND WIRE ATTACHMENT DETAILS



ITEM (21) GROUND WIRE ATTACHMENT POINT USING ITEM (8) NO LOCTITE



DOCUMENT CONTROL
PRINTED COPIES OF THIS DOCUMENT ARE CONSIDERED TO BE UNCONTROLLED DOCUMENTS. HOLDERS ARE RESPONSIBLE FOR VERIFYING THE CURRENT REVISION LEVEL WITH PURCHASING OR ENGINEERING PRIOR TO USE OR FABRICATION. THE CONTROLLED VERSION OF THIS DOCUMENT IS ELECTRONICALLY MAINTAINED.

PROPRIETARY AND CONFIDENTIAL
THIS DRAWING CONTAINS INFORMATION STRICTLY CONFIDENTIAL TO ACRADYNE/AIMCO. IN THE ABSENCE OF EXPRESSED WRITTEN PERMISSION, ACRADYNE/AIMCO HAS LOANED THIS COPY WITH THE MUTUAL UNDERSTANDING THAT (A) IT WILL NOT BE USED FOR ANY PURPOSE OTHER THAN FOR THAT IN WHICH IT WAS PROVIDED, (B) THE DATA CONTAINED HEREIN WILL NOT BE DISCLOSED TO OTHERS, (C) IT WILL NOT BE REPRODUCED, AND (D) IT WILL BE RETURNED TO ACRADYNE/AIMCO IMMEDIATELY UPON DEMAND.

REVISION LEVEL	REVISION RELEASE DATE	DESCRIPTION OF CHANGES MADE TO PART	ECN #	AUTHOR / APPROVAL

COMMENTS	ITEM NO.	PART NUMBER	QTY.	DESCRIPTION
	1	26160	1	ASSY, MOTOR, 4650
	2	24840	1	FOIL SEAL 2" DIA
	3	29335	4	STANDOFF, M-F, 4-40 X 3/16, SS
	4	27796	1	TID BOARD, POPULATED W/AMP CIRCUIT
	5	25490	2	LENS, LED, INJECTION MOLDED
	6	29337	3	STANDOFF, M-F, 4-40 X 1/8, SS
	7	29338	1	TID WIRE INSULATOR
	8	25573	8	SCREW PHP 4-40 X 3/16 18-8 SS
	9	28115	1	GEAR BOX ASSEMBLY
	10	25225	1	END GRIP CAP, HT TOOLS
	11	24859	3	LHSC 10-32 X 1/4 BLK OXIDE
	12	27714	1	O-RING 3" ID
	13	25568	4	SHC 10-32 x 1.25 BLK OXIDE
	14	27063	1	TOOL CONNECTOR CLIP
	15	26458	1	SCREW, SHC 10-32 X .44 LG., STEEL, BLACK OXIDE
	16	25579	1	PLUG 3/8"
	17	29279	4	SCREW, BHSC, 10-32 x 3/8, TORX HEAD, NYLON PELL-IT, STEEL
	18	29284	2	SCREW, BHSC, 10-32 X 1/2, TORX HEAD, NYLON PELL-IT, STEEL
	19	25564	2	WASHER SHIM .093THK .25ID .375OD
	20	28204	1	RING GEAR COVER, 8100Nm
	21	25507	1	TOOL CONNECTOR ASM HERC PISTOL
	22	26636	1	GEAR CASE COVER
	23	26319	3	SCREW, BHSC 6-32 X .188, 18-8 SS
	24	28107	1	TRIGGER CABLE, 10'LG., 6P TO 3P
	25	31412	1	GROUND WIRE ASSEMBLY, 18 AWG, 8000 & 9000 HT SERIES
	26	28211	1	(4) LINE MALE/FEMALE JUMPER ASM.
	27	27999	1	SLIP RING TRANSDUCER CABLE CHASE
	28	30899	1	MOUNTING BLOCK, J-HANDLE, DUAL LEVER
	29	25212	2	SWITCH SUB-ASSEMBLY
NOT SHOWN	30	25582	1	TRIGGER CABLE
NOT SHOWN	31	28257	A/R	CABLE TIE, 1.65MM W x 7.1MM LG.
	32	25229	2	AXIAL HANDLE, HT TOOLS
	33	26183	6	SCREW, SHC, 10-32 X 1.75, STEEL
	34	25569	8	SCREW LHCS 10-32 X 3/8 18-8 SS
	35	24858	2	PLUG 1 3/16
	36	26899	1	CHOOSE REACTION BAR
	37	26436	1	RETAINING RING, SPIRAL, Ø3.833 X Ø3.293 X .111
NOT SHOWN	38	24177	A/R	RTV 108, TRANSLUCENT

UNLESS OTHERWISE SPECIFIED, DIMENSIONS ARE IN INCHES
DIMENSIONS AND TOLERANCING PER ANSI Y14.5 SURFACE ROUGHNESS PER ANSI Y14.36

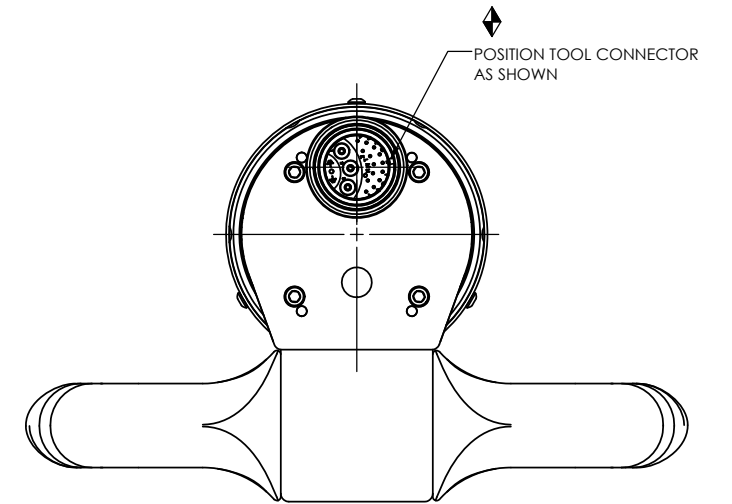
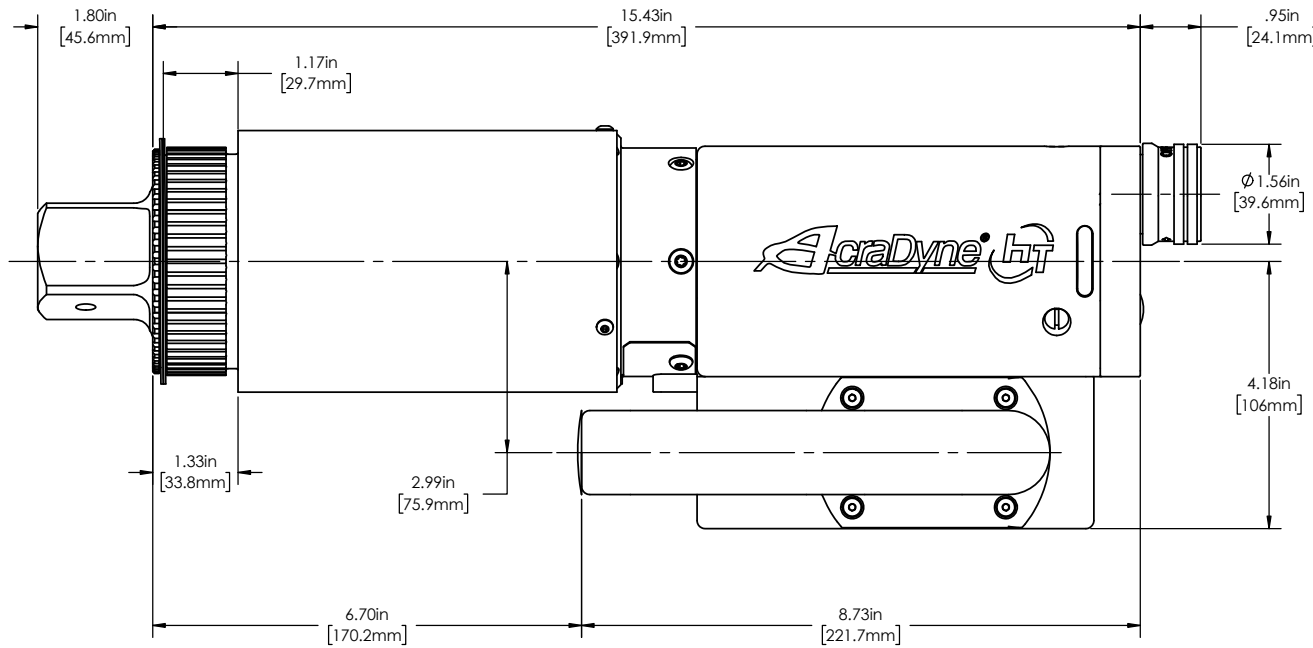
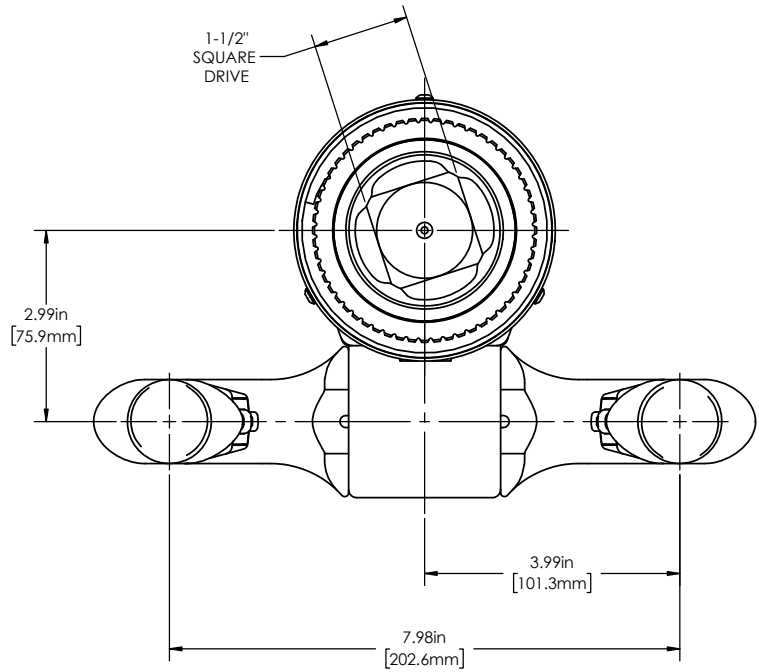
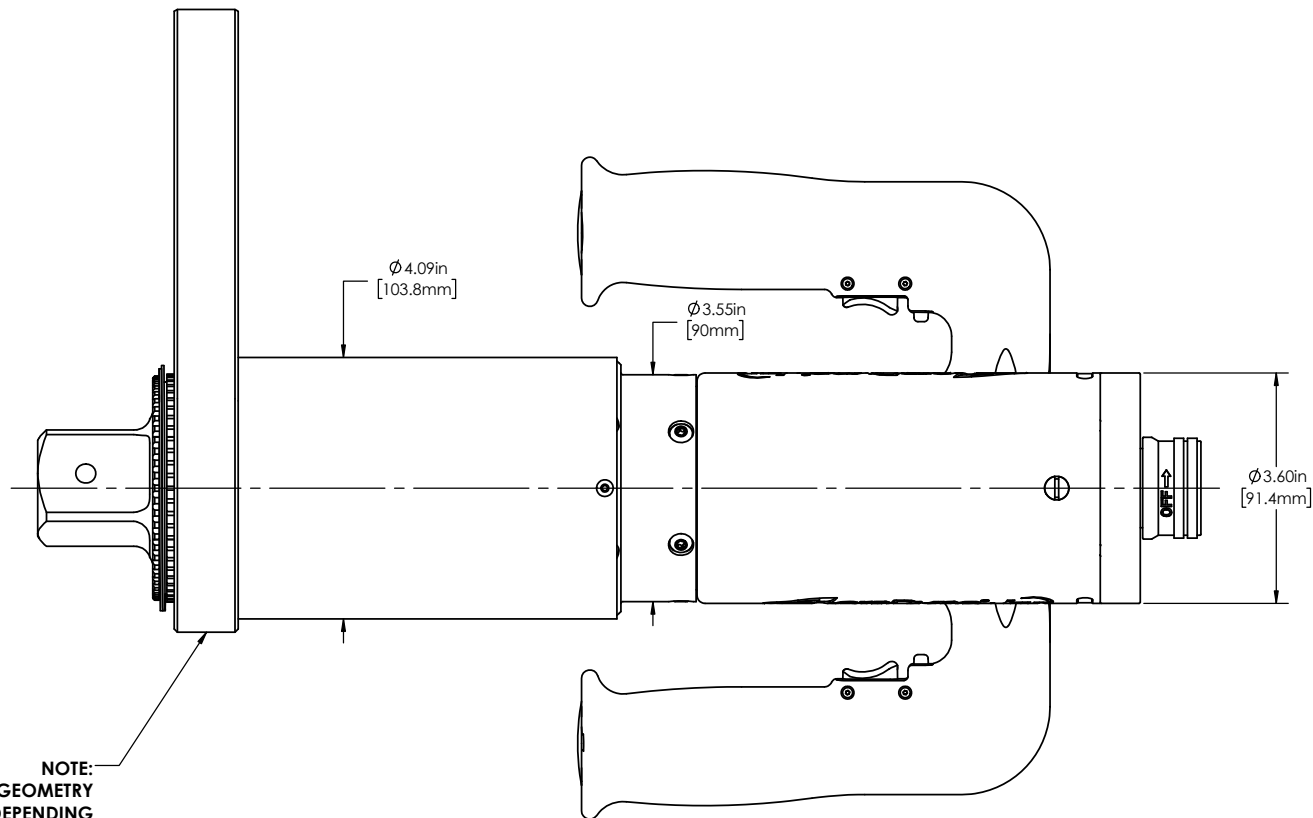
BLOCK TOLERANCING PER DECIMAL:
X = ±.030 XX = ±.010 XXX = ±.005 XXXX = ±.0005 ANGLE = ±0°30'

REMOVE BURRS AND SHARP EDGES: R.015 MAX MACHINE SURFACE FINISH: 125 RMS OR BETTER

DRAWINGS AND TECHNICAL DOCUMENTS CONTROLLED BY:
ACRADYNE MECHANICAL ENGINEERING

DUAL LEVER "J" HANDLE NUTRUNNER 8000-SERIES

SIZE	PART / DRAWING NUMBER	REVISION
D	AEJ4A898100BDL	A
SCALE 2:3	DO NOT SCALE DRAWING	SHEET 1 OF 2



DOCUMENT CONTROL
PRINTED COPIES OF THIS DOCUMENT ARE CONSIDERED TO BE UNCONTROLLED DOCUMENTS. HOLDERS ARE RESPONSIBLE FOR VERIFYING THE CURRENT REVISION LEVEL WITH PURCHASING OR ENGINEERING PRIOR TO USE OR FABRICATION. THE CONTROLLED VERSION OF THIS DOCUMENT IS ELECTRONICALLY MAINTAINED.

PROPRIETARY AND CONFIDENTIAL
THIS DRAWING CONTAINS INFORMATION STRICTLY CONFIDENTIAL TO ACRADYNE/AIMCO. IN THE ABSENCE OF EXPRESSED WRITTEN PERMISSION, ACRADYNE/AIMCO HAS LOANED THIS COPY WITH THE MUTUAL UNDERSTANDING THAT (A) IT WILL NOT BE USED FOR ANY PURPOSE OTHER THAN FOR THAT IN WHICH IT WAS PROVIDED, (B) THE DATA CONTAINED HEREIN WILL NOT BE DISCLOSED TO OTHERS, (C) IT WILL NOT BE REPRODUCED, AND (D) IT WILL BE RETURNED TO ACRADYNE/AIMCO IMMEDIATELY UPON DEMAND.

REVISION LEVEL	REVISION RELEASE DATE	DESCRIPTION OF CHANGES MADE TO PART	ECN #	AUTHOR/ APPROVAL

UNLESS OTHERWISE SPECIFIED, DIMENSIONS ARE IN INCHES
DIMENSIONS AND TOLERANCING PER ANSI Y14.5
SURFACE ROUGHNESS PER ANSI Y14.36

BLOCK TOLERANCING PER DECIMAL:
X = ±.030 XX = ±.010 XXX = ±.005 XXXX = ±.0005
ANGLE = ±0°30'

REMOVE BURRS AND SHARP EDGES: R.015 MAX
MACHINE SURFACE FINISH: 125 RMS OR BETTER

DRAWINGS AND TECHNICAL DOCUMENTS CONTROLLED BY:
ACRADYNE MECHANICAL ENGINEERING

**DUAL LEVER,
"J" HANDLE NUTRUNNER
8000-SERIES**

SIZE D	PART / DRAWING NUMBER AEJ4A898100BDL	REVISION A
SCALE 2:3	DO NOT SCALE DRAWING	SHEET 2 OF 2