

COMMENTS	ITEM NO.	PART NUMBER	QTY.	DESCRIPTION
	1	26160	1	ASSY, MOTOR, 4650
	2	24840	1	FOIL SEAL 2" DIA
	3	29335	4	STANDOFF, M-F, 4-40 X 3/16, SS
	4	27797	1	TID BOARD, POPULATED W/O AMP CIRCUIT
	5	29337	3	STANDOFF, M-F, 4-40 X 1/8, SS
	6	29338	1	TID WIRE INSULATOR
	7	25573	7	SCREW PHP 4-40 X 3/16 18-8 SS
	8	24859	3	LHSC 10-32 X 1/4 BLK OXIDE
	9	25490	2	LENS, LED, INJECTION MOLDED
	10	25225	1	END GRIP CAP, HT TOOLS
	11	27063	1	TOOL CONNECTOR CLIP
	12	26458	1	SCREW, SHC 10-32 X .44 LG., STEEL, BLACK OXIDE
	13	25568	4	SHC 10-32 X 1.25 BLK OXIDE
	14	SEE CHART	1	GEAR BOX ASM.
	15	27978	1	SLIP RING INNER PLATE
	16	28278	1	SLIP RING OUTER PLATE SUB-ASM.
	17	27714	2	O-RING 3" ID
SEE WORK INSTRUCTIONS	18	27983	1	SLIP RING SET
	19	27994	6	DOWEL PIN, Ø.0938 X .1875 LG., STEEL
	20	28000	1	CABLE TIE-MOUNT
	21	28257	4	CABLE TIE, 1.65MM W X 71MM LG
	22	27993	6	SCREW, FHPM, 2-56, 18-8SS, PLAIN
	23	27953	1	O-RING, 70 DURO BUNA N, -042
	24	28174	8	SPRING, COMPRESSION
	25	20105	8	DETENT BALL
	26	24940	1	SCREW, FHSC 4-40 X .25 LG., STEEL, BLACK OXIDE
	27	25745	2	SCREW, BHSC 4-40 STEEL, BLACK OXIDE
	28	25969	2	BEARING, BALL, Ø42mm X Ø30mm X 7mm
	29	25961	1	BEARING RETAINER, INNER
	30	25962	1	BEARING RETAINER, OUTER
	31	27980	1	SLIP RING PINION ADAPTER
	32	26080	1	O-RING, LED LIGHT RING COVER
	33	25229	1	AXIAL HANDLE, HT TOOLS
	34	25985	1	TRANSDUCER WIRE COVER FOR MOD 25232
	35	25984	1	TRANSDUCER WIRE TRAY
	36	25564	3	WASHER SHIM .093THK .25ID .375OD
	37	29284	3	SCREW, BHSC, 10-32 X 1/2, TORX HEAD, NYLON PELL-IT, STEEL
	38	29279	9	SCREW, BHSC, 10-32 X 7/8, TORX HEAD, NYLON PELL-IT, STEEL
	39	25212	1	SWITCH SUB-ASSEMBLY
NOT SHOWN	40	25582	1	TRIGGER CABLE
	41	25569	6	SCREW LHCS 10-32 X 3/8 18-8 SS
	42	25507	1	TOOL CONNECTOR ASM HERC PISTOL
	43	28203	1	HT TOOL TRANSDUCER SLEEVE
	44	25218	3	SCREW, BHSC, 6-32 X 5/16, SS
	45	26898	1	CHOOSE REACTION BAR
	46	25579	1	PLUG 3/8"
	47	24858	1	PLUG 1 3/16
	48	31412	1	GROUND WIRE ASSEMBLY, T8 AWG, 8000 & 9000 HT SERIES
NOT SHOWN	49	24177	A/R	RTV 108 TRANSLUCENT

**NOTE:**  
SEE WORK INSTRUCTION DOCUMENT "W2047"  
FOR COMPLETE ASSEMBLY INSTRUCTIONS

MODEL NO.	GEARBOX ASM.	SLIP RING SET
AEJ4B884200B	28112	27983.002
AEJ4B884200B1	28113	
AEJ4W884650B	28112	27983.003
AEJ4W884650B1	28113	
AEJ4B885000B	28112	27983.004
AEJ4B885000B1	28113	
AEJ4W885000B	31196	
AEJ4W885000B1	31190	27983.009



**DOCUMENT CONTROL**  
PRINTED COPIES OF THIS DOCUMENT ARE CONSIDERED TO BE UNCONTROLLED DOCUMENTS. HOLDERS ARE RESPONSIBLE FOR VERIFYING THE CURRENT REVISION LEVEL WITH PURCHASING OR ENGINEERING PRIOR TO USE OR FABRICATION. THE CONTROLLED VERSION OF THIS DOCUMENT IS ELECTRONICALLY MAINTAINED.

**PROPRIETARY AND CONFIDENTIAL**  
THIS DRAWING CONTAINS INFORMATION STRICTLY CONFIDENTIAL TO ACRADYNE/AIMCO. IN THE ABSENCE OF EXPRESSED WRITTEN PERMISSION, ACRADYNE/AIMCO HAS LOANED THIS COPY WITH THE MUTUAL UNDERSTANDING THAT (A) IT WILL NOT BE USED FOR ANY PURPOSE OTHER THAN FOR THAT IN WHICH IT WAS PROVIDED, (B) THE DATA CONTAINED HEREIN WILL NOT BE DISCLOSED TO OTHERS, (C) IT WILL NOT BE REPRODUCED, AND (D) IT WILL BE RETURNED TO ACRADYNE/AIMCO IMMEDIATELY UPON DEMAND.

REVISION LEVEL	REVISION RELEASE DATE	DESCRIPTION OF CHANGES MADE TO PART	ECN #	AUTHOR/ APPROVAL
<b>REVISION BLOCK</b>				

**UNLESS OTHERWISE SPECIFIED, DIMENSIONS ARE IN INCHES**  
DIMENSIONS AND TOLERANCING PER ANSI Y14.5 SURFACE ROUGHNESS PER ANSI Y14.36

**BLOCK TOLERANCING PER DECIMAL:**  
X = ±.030 XX = ±.010 XXX = ±.005 XXXX = ±.0005  
ANGLE = ±0°30'

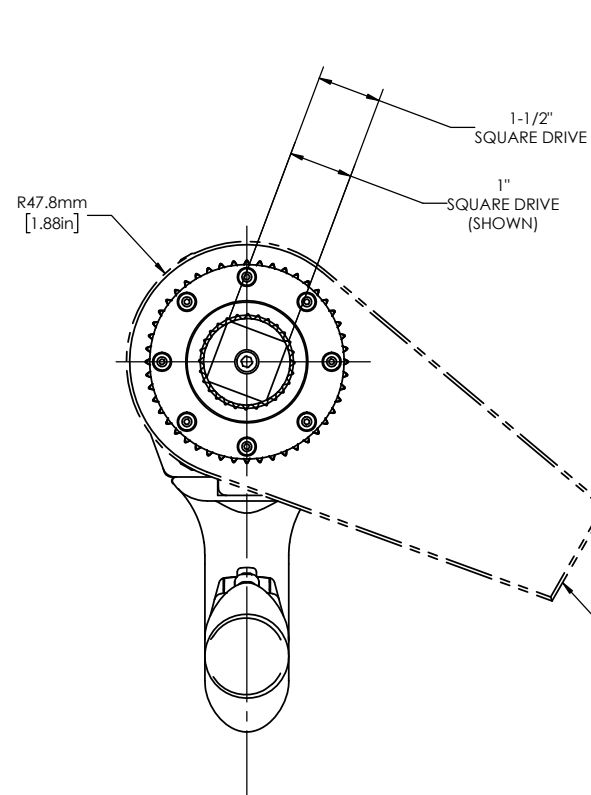
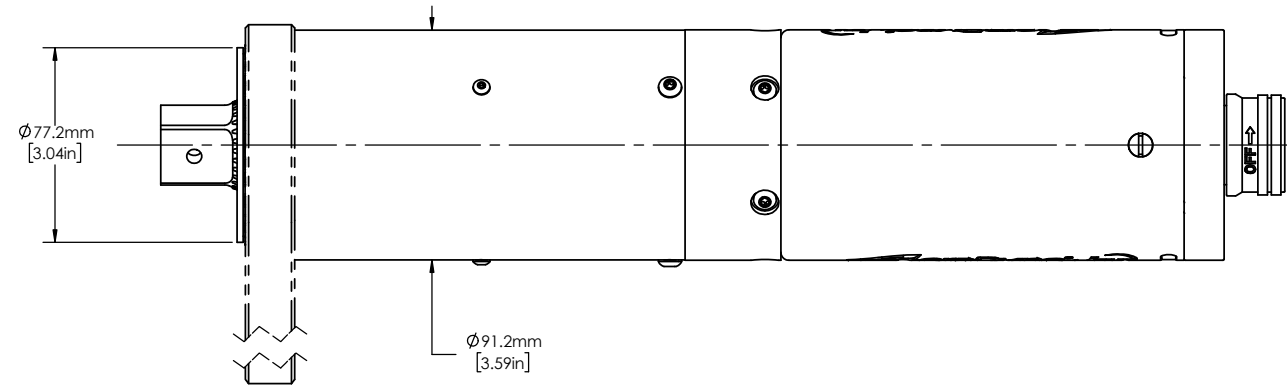
REMOVE BURRS AND SHARP EDGES: R.015 MAX MACHINE SURFACE FINISH: 125 RMS OR BETTER

DRAWINGS AND TECHNICAL DOCUMENTS CONTROLLED BY:  
**ACRADYNE MECHANICAL ENGINEERING**

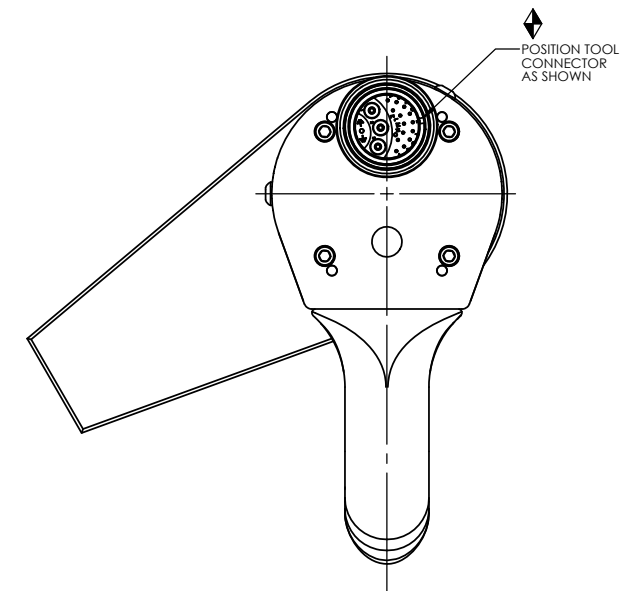
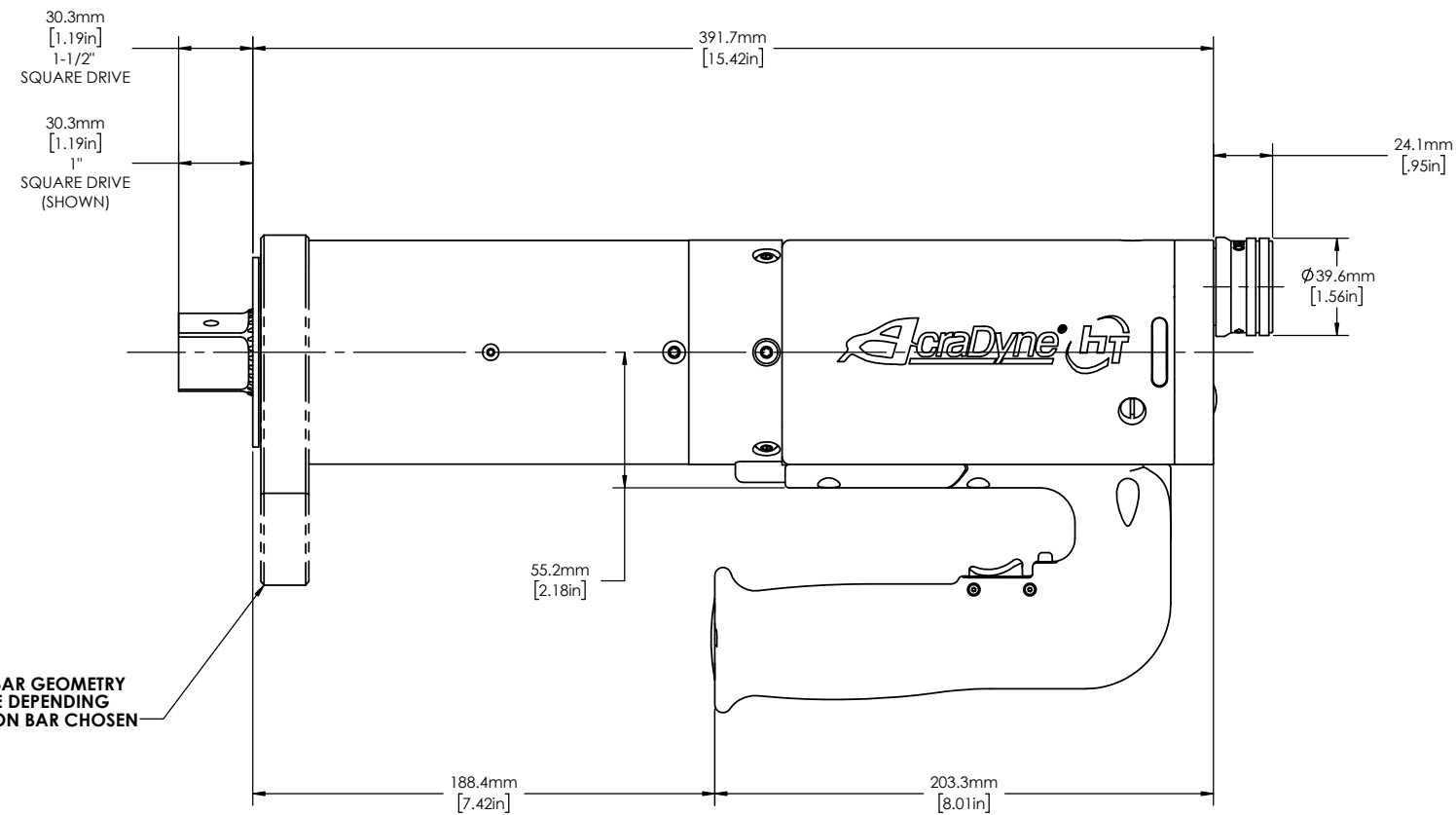
**"J" HANDLE NUTRUNNER W/SLIP RING CLUTCH 8000 SERIES**

SIZE	PART / DRAWING NUMBER	REVISION
<b>D</b>	<b>AEJ4 88 B</b>	<b>E</b>

SCALE 1:8 DO NOT SCALE DRAWING SHEET 1 OF 2



NOTE:  
REACTION BAR GEOMETRY  
TO CHANGE DEPENDING  
ON REACTION BAR CHOSEN



MODEL NO.	SQUARE DRIVE
AEJ4B884200B	1-1/2"
AEJ4B884200B1	1"
AEJ4W884650B	1-1/2"
AEJ4W884650B1	1"
AEJ4B885000B	1-1/2"
AEJ4B885000B1	1"
AEJ4W885000B	1-1/2"
AEJ4W885000B1	1"



**DOCUMENT CONTROL**  
PRINTED COPIES OF THIS DOCUMENT ARE CONSIDERED TO BE UNCONTROLLED DOCUMENTS. HOLDERS ARE RESPONSIBLE FOR VERIFYING THE CURRENT REVISION LEVEL WITH PURCHASING OR ENGINEERING PRIOR TO USE OR FABRICATION. THE CONTROLLED VERSION OF THIS DOCUMENT IS ELECTRONICALLY MAINTAINED.

**PROPRIETARY AND CONFIDENTIAL**  
THIS DRAWING CONTAINS INFORMATION STRICTLY CONFIDENTIAL TO ACRADYNE/AIMCO. IN THE ABSENCE OF EXPRESSED WRITTEN PERMISSION, ACRADYNE/AIMCO HAS LOANED THIS COPY WITH THE MUTUAL UNDERSTANDING THAT (A) IT WILL NOT BE USED FOR ANY PURPOSE OTHER THAN FOR THAT IN WHICH IT WAS PROVIDED, (B) THE DATA CONTAINED HEREIN WILL NOT BE DISCLOSED TO OTHERS, (C) IT WILL NOT BE REPRODUCED, AND (D) IT WILL BE RETURNED TO ACRADYNE/AIMCO IMMEDIATELY UPON DEMAND.

REVISION LEVEL	REVISION RELEASE DATE	DESCRIPTION OF CHANGES MADE TO PART	ECN #	AUTHOR/ APPROVAL
REVISION BLOCK				

**UNLESS OTHERWISE SPECIFIED, DIMENSIONS ARE IN INCHES**  
DIMENSIONS AND TOLERANCING PER ANSI Y14.5  
SURFACE ROUGHNESS PER ANSI Y14.36

**BLOCK TOLERANCING PER DECIMAL:**  
X = ±.030 XX = ±.010 XXX = ±.005 XXXX = ±.0005  
ANGLE = ±0° 30'

REMOVE BURRS AND SHARP EDGES: R.015 MAX  
MACHINE SURFACE FINISH: 125 RMS OR BETTER

DRAWINGS AND TECHNICAL DOCUMENTS CONTROLLED BY:  
**ACRADYNE MECHANICAL ENGINEERING**

**"J" HANDLE NUTRUNNER  
W/SLIP RING CLUTCH  
8000 SERIES**

SIZE	PART / DRAWING NUMBER	REVISION
<b>D</b>	<b>AEJ4 88</b>	<b>B E</b>
SCALE: 1:8	DO NOT SCALE DRAWING	SHEET 2 OF 2