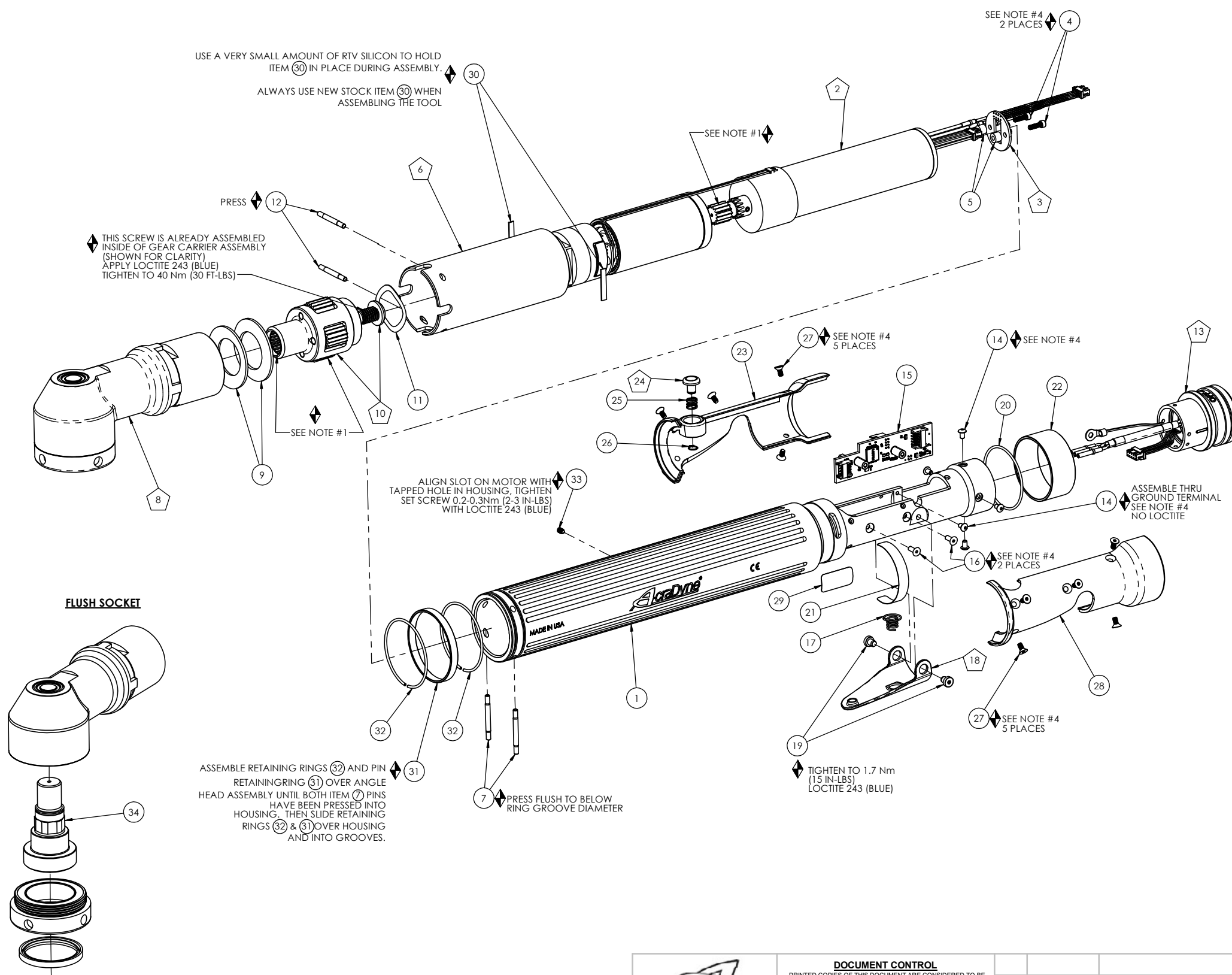
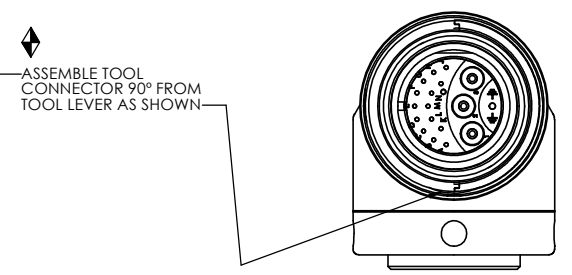


MODEL NO.	ANGLE HEAD ASM	GEAR TRAIN ASM	MOTOR ASM	BELLEVILLE WASHER	GEAR CARRIER, THIRD STAGE	WAVE WASHER
AEN33120CF	27620	27613	25525	N/A	N/A	N/A
AEN33200CF	27620	25834	25530	20911	20924	20912

COMMENTS	ITEM NO.	PART NUMBER	QTY.	DESCRIPTION
	1	27031	1	MOTOR HOUSING ASSEMBLY
	2	SEE CHART	1	MOTOR ASSEMBLY
	3	25063	1	LED BOARD ASM.
	4	25075	2	SCREW, SHC 4-40X.375, STEEL, BLACK OXIDE
	5	25430	2	STAND-OFF, LED, 3000 SERIES
	6	SEE CHART	1	GEAR TRAIN ASSEMBLY
	7	26793	2	RETAINING PIN, .125 OD X 1-1/4
	8	SEE CHART	1	ANGLE HEAD ASSY, FLUSH SOCKET
	9	SEE CHART	2	BELLEVILLE WASHER
	10	SEE CHART	1	GEAR CARRIER ASSEMBLY
	11	SEE CHART	1	WAVE SPRING --- 3000 SERIES
	12	20913	2	PIN, RETAINING
	13	26102	1	TOOL CONNECTOR ASM., LEVER
	14	25745	5	SCREW, BHSC 4-40 STEEL, BLACK OXIDE
	15	25847	1	TID BOARD ASM., 2000-3000 SERIES
	16	24934	2	SCREW, FHC 4-40 X .312, STEEL, BLACK OXIDE
	17	20132	1	THROTTLE SPRING
	18	26532	1	GEN 3 TRIGGER ASSY, CAST
	19	20061	2	SCREW, LEVER
	20	25072	1	O-RING, LED LIGHT RING COVER
	21	20534	1	3000 SERIAL/MODEL LABEL
	22	25058	1	LIGHT RING COVER, LED
	23	26084	1	HANDLE COVER, MFB
	24	24706	1	REV BUTTON SUB-ASSEMBLY
	25	24683	1	SPRING, REV BUTTON
	26	24679	1	RETAINING RING
	27	24940	10	SCREW, FHSC 4-40 X .25 LG., STEEL, BLACK OXIDE
	28	26083	1	HANDLE COVER
	29	22141	1	SAFETY LABEL
	30	26184	2	ADAPTER INSERT, GEN 3B 3000 SERIES
	31	25106	1	PIN RETAINER RING
	32	25107	2	RETAINING RING, PIN RETAINER
	33	27027	1	SCREW, SET 5-40X.188,STEEL,BLK OXIDE
SEE SHEET #3 SOCKET CONFIGURATION CHART	34	27617	1	SOCKET, FLUSH 200 Nm



NOTE: SEE SHEET #3 FOR SOCKET CONFIGURATION CHART AND COMPLETE TOOL MODEL NUMBER TO ORDER.



- ◆ ASSEMBLY INSTRUCTIONS
 ◡ SUB-ASSEMBLY
- 1) GEARS & SPLINES: LUBRICATE WITH DOW CORNING MOLYKOTE BR2 PLUS GREASE.
 - 2) BEARINGS: LUBRICATE WITH CHEVRON SR1 GREASE
 - 3) O-RINGS: LUBRICATE WITH O-RING LUBE
 - 4) TIGHTEN TO 1 NM (9 IN-LBS.) LOCTITE 243 (BLUE)

REQUIRED TOOLING
LOCTITE 243 (BLUE)
1/16 HEX WRENCH
5/64 HEX WRENCH
3/32 HEX WRENCH
SNAP RING PLIERS - EXTERNAL TYPE



DOCUMENT CONTROL
 PRINTED COPIES OF THIS DOCUMENT ARE CONSIDERED TO BE UNCONTROLLED DOCUMENTS. HOLDERS ARE RESPONSIBLE FOR VERIFYING THE CURRENT REVISION LEVEL WITH PURCHASING OR ENGINEERING PRIOR TO USE OR FABRICATION. THE CONTROLLED VERSION OF THIS DOCUMENT IS ELECTRONICALLY MAINTAINED.

PROPRIETARY AND CONFIDENTIAL
 THIS DRAWING CONTAINS INFORMATION STRICTLY CONFIDENTIAL TO ACRADYNE/AIMCO. IN THE ABSENCE OF EXPRESSED WRITTEN PERMISSION, ACRADYNE/AIMCO HAS LOANED THIS COPY WITH THE MUTUAL UNDERSTANDING THAT (A) IT WILL NOT BE USED FOR ANY PURPOSE OTHER THAN FOR THAT IN WHICH IT WAS PROVIDED, (B) THE DATA CONTAINED HEREIN WILL NOT BE DISCLOSED TO OTHERS, (C) IT WILL NOT BE REPRODUCED, AND (D) IT WILL BE RETURNED TO ACRADYNE/AIMCO IMMEDIATELY UPON DEMAND.

REVISION LEVEL	REVISION RELEASE DATE	DESCRIPTION OF CHANGES MADE TO PART	ECN #	AUTHOR/ APPROVAL
REVISION BLOCK				

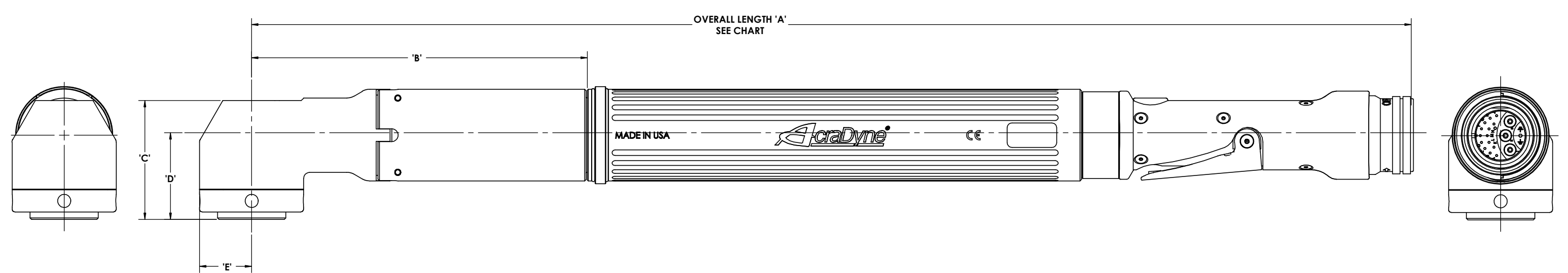
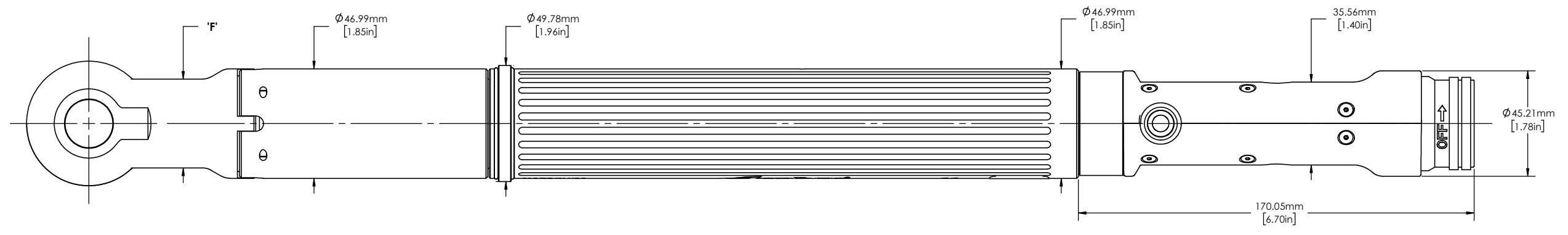
UNLESS OTHERWISE SPECIFIED, DIMENSIONS ARE IN INCHES
 DIMENSIONS AND TOLERANCING PER ANSI Y14.5 SURFACE ROUGHNESS PER ANSI Y14.36

BLOCK TOLERANCING PER DECIMAL:
 .X = ±.030 .XX = ±.010 .XXX = ±.005 .XXXX = ±.0005
 ANGLE = ±0° 30'

REMOVE BURRS AND SHARP EDGES: R.015 MAX MACHINE SURFACE FINISH: 125 RMS OR BETTER

DRAWINGS AND TECHNICAL DOCUMENTS CONTROLLED BY:
ACRADYNE MECHANICAL ENGINEERING

AEN33__CF FLUSH HEAD NUTRUNNER		
3000 SERIES - GEN 3C		
SIZE	PART / DRAWING NUMBER	REVISION
D	AEN33__CF	C
SCALE 1:1	DO NOT SCALE DRAWING	SHEET 1 OF 3



MODEL NO.	'A'	'B'	'C'	'D'	'E'	'F'
AEN33120CF	540mm, [21.25in]	117mm, [4.61in]	61mm, [2.40in]	45mm, [1.75in]	27mm, [1.05in]	38mm, [1.50in]
AEN33200CF	594mm, [23.39in]	172mm, [6.77in]	61mm, [2.40in]	45mm, [1.75in]	27mm, [1.05in]	38mm, [1.50in]



DOCUMENT CONTROL
 PRINTED COPIES OF THIS DOCUMENT ARE CONSIDERED TO BE UNCONTROLLED DOCUMENTS. HOLDERS ARE RESPONSIBLE FOR VERIFYING THE CURRENT REVISION LEVEL WITH PURCHASING OR ENGINEERING PRIOR TO USE OR FABRICATION. THE CONTROLLED VERSION OF THIS DOCUMENT IS ELECTRONICALLY MAINTAINED.

PROPRIETARY AND CONFIDENTIAL
 THIS DRAWING CONTAINS INFORMATION STRICTLY CONFIDENTIAL TO ACRADYNE/AIMCO. IN THE ABSENCE OF EXPRESSED WRITTEN PERMISSION, ACRADYNE/AIMCO HAS LOANED THIS COPY WITH THE MUTUAL UNDERSTANDING THAT (A) IT WILL NOT BE USED FOR ANY PURPOSE OTHER THAN FOR THAT IN WHICH IT WAS PROVIDED, (B) THE DATA CONTAINED HEREIN WILL NOT BE DISCLOSED TO OTHERS, (C) IT WILL NOT BE REPRODUCED, AND (D) IT WILL BE RETURNED TO ACRADYNE/AIMCO IMMEDIATELY UPON DEMAND.

REVISION LEVEL	REVISION RELEASE DATE	DESCRIPTION OF CHANGES MADE TO PART	ECN #	AUTHOR/ APPROVAL

UNLESS OTHERWISE SPECIFIED, DIMENSIONS ARE IN INCHES
 DIMENSIONS AND TOLERANCING PER ANSI Y14.5
 SURFACE ROUGHNESS PER ANSI Y14.36

BLOCK TOLERANCING PER DECIMAL:
 .X = ±.030 .XX = ±.010 .XXX = ±.005 .XXXX = ±.0005
 ANGLE = ±0° 30'

REMOVE BURRS AND SHARP EDGES: R.015 MAX
 MACHINE SURFACE FINISH: 125 RMS OR BETTER

DRAWINGS AND TECHNICAL DOCUMENTS CONTROLLED BY:
ACRADYNE MECHANICAL ENGINEERING

AEN33__CF TOOL OUTLINE
3000 SERIES - GEN 3C

SIZE D	PART / DRAWING NUMBER AEN33__CF	REVISION C
SCALE 1:1	DO NOT SCALE DRAWING	SHEET 2 OF 3

BASE MODEL	DOT	SOCKET BASE	COLUMN 1	SOCKET SIZE	COLUMN 2	EXT.	COLUMN 3	MAGNET	COLUMN 4
AEN33120CF	.	X	DRIVE TYPE	X	HEX SIZE	X	EXTENSION LENGTH	X	MAGNET OPTION
		A	27617 SINGLE HEX	A	16mm	A	0	0	NO MAGNET
		B	27617 DOUBLE HEX	B	17mm	B	.118 (3mm)	1	WITH MAGNET
		C	27617 SURFACE DRIVE	C	18mm	C	.236 (6mm)		
				D	19mm	D	.354 (9mm)		
				E	20mm	E	.472 (12mm)		
				F	21mm	F	.591 (15mm)		
				G	22mm	G	.708 (18mm)		
				H	23mm	H	.827 (21mm)		
				I	24mm	I	.944 (24mm)		
				J	5/8"	J			
				K	11/16"	K			
				L	3/4"	L			
				M	13/16"	M			
				N	7/8"	N			
				P	15/16"	P			
				Q	1"	Q			
				R		R			
				S		S			
				T		T			
				U		U			
				V		V			
				W		W			
				X		X			
				Y		Y	.250 (1/4")		
				Z		Z	.438 (7/16")		

****EXAMPLE MODEL NUMBER:** AEN33120CF.CCG0 = SURFACE DRIVE, 18mm HEX, 18mm EXT., NO MAGNET



DOCUMENT CONTROL
 PRINTED COPIES OF THIS DOCUMENT ARE CONSIDERED TO BE UNCONTROLLED DOCUMENTS. HOLDERS ARE RESPONSIBLE FOR VERIFYING THE CURRENT REVISION LEVEL WITH PURCHASING OR ENGINEERING PRIOR TO USE OR FABRICATION. THE CONTROLLED VERSION OF THIS DOCUMENT IS ELECTRONICALLY MAINTAINED.

PROPRIETARY AND CONFIDENTIAL
 THIS DRAWING CONTAINS INFORMATION STRICTLY CONFIDENTIAL TO ACRADYNE/AIMCO. IN THE ABSENCE OF EXPRESSED WRITTEN PERMISSION, ACRADYNE/AIMCO HAS LOANED THIS COPY WITH THE MUTUAL UNDERSTANDING THAT (A) IT WILL NOT BE USED FOR ANY PURPOSE OTHER THAN FOR THAT IN WHICH IT WAS PROVIDED, (B) THE DATA CONTAINED HEREIN WILL NOT BE DISCLOSED TO OTHERS, (C) IT WILL NOT BE REPRODUCED, AND (D) IT WILL BE RETURNED TO ACRADYNE/AIMCO IMMEDIATELY UPON DEMAND.

REVISION LEVEL	REVISION RELEASE DATE	DESCRIPTION OF CHANGES MADE TO PART	ECN #	AUTHOR/ APPROVAL

UNLESS OTHERWISE SPECIFIED, DIMENSIONS ARE IN INCHES
 DIMENSIONS AND TOLERANCING PER ANSI Y14.5
 SURFACE ROUGHNESS PER ANSI Y14.36

BLOCK TOLERANCING PER DECIMAL:
 .X = ±.030 .XX = ±.010 .XXX = ±.005 .XXXX = ±.0005
 ANGLE = ±0° 30'

REMOVE BURRS AND SHARP EDGES: R.015 MAX
 MACHINE SURFACE FINISH: 125 RMS OR BETTER

DRAWINGS AND TECHNICAL DOCUMENTS CONTROLLED BY:
ACRADYNE MECHANICAL ENGINEERING

AEN33__CF FLUSH HEAD NUTRUNNER
3000 SERIES - GEN 3C

SIZE B	PART / DRAWING NUMBER AEN33__CF	REVISION C
SCALE 1:2	DO NOT SCALE DRAWING	SHEET 3 OF 3