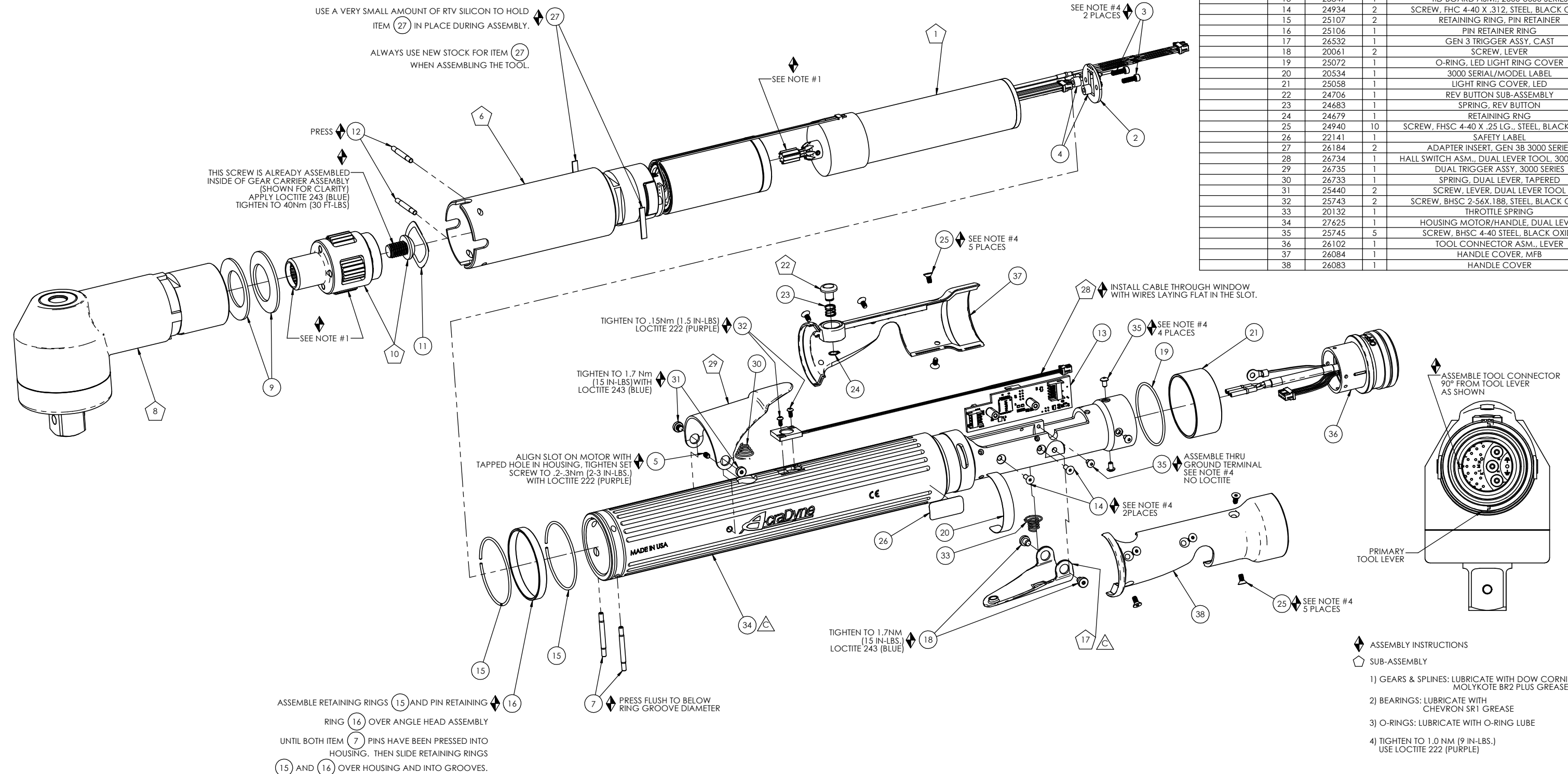


MODEL NO.	ANGLE HEAD ASM	GEAR TRAIN ASM	MOTOR ASM	BELLEVILLE WASHER	GEAR CARRIER, THIRD STAGE	WAVE WASHER
AEN33120CDL	27089	27613	25525	N/A	N/A	N/A
AEN33200CDL	27088	25834	25530	20911	20924	20912
AEN33210CDL	27145	25834	25530	20911	20924	20912
AEN33300CDL	27145	25835	25525	20911	20924	20912
AEN33375CDL	27145	25836	25525	20911	20924	20912

COMMENTS	ITEM NO.	PART NUMBER	QTY.	DESCRIPTION
	1		1	MOTOR ASSY, 9T, 3000 SERIES
	2	25063	1	LED BOARD ASM.
	3	25075	2	SCREW, SHC 4-40X.375, STEEL, BLACK OXIDE
	4	25430	2	STAND-OFF, LED, 3000 SERIES
	5	27027	1	SCREW, SET 5-40X.188, STEEL, BLK OXIDE
	6	SEE CHART	1	GEAR TRAIN ASM., (20.74:1)
	7	26793	2	RETAINING PIN, .125 OD X 1-1/4
	8	SEE CHART	1	ANGLE HEAD ASSEMBLY
	9	SEE CHART	2	BELLEVILLE WASHER
	10	SEE CHART	1	GEAR CARRIER ASSY, THIRD STAGE
	11	SEE CHART	1	WAVE WASHER
	12	20913	2	RETAINING PIN
	13	25847	1	TID BOARD ASM., 2000-3000 SERIES
	14	24934	2	SCREW, FHC 4-40 X .312, STEEL, BLACK OXIDE
	15	25107	2	RETAINING RING, PIN RETAINER
	16	25106	1	PIN RETAINER RING
	17	26532	1	GEN 3 TRIGGER ASSY, CAST
	18	20061	2	SCREW, LEVER
	19	25072	1	O-RING, LED LIGHT RING COVER
	20	20534	1	3000 SERIAL/MODEL LABEL
	21	25058	1	LIGHT RING COVER, LED
	22	24706	1	REV BUTTON SUB-ASSEMBLY
	23	24683	1	SPRING, REV BUTTON
	24	24679	1	RETAINING RING
	25	24940	10	SCREW, FHSC 4-40 X .25 LG., STEEL, BLACK OXIDE
	26	22141	1	SAFETY LABEL
	27	26184	2	ADAPTER INSERT, GEN 3B, 3000 SERIES
	28	26734	1	HALL SWITCH ASM., DUAL LEVER TOOL, 3000 SERIES
	29	26735	1	DUAL TRIGGER ASSY, 3000 SERIES
	30	26733	1	SPRING, DUAL LEVER, TAPERED
	31	25440	2	SCREW, LEVER, DUAL LEVER TOOL
	32	25743	2	SCREW, BHSC 2-56X.188, STEEL, BLACK OXIDE
	33	20132	1	THROTTLE SPRING
	34	27625	1	HOUSING MOTOR/HANDLE, DUAL LEVER
	35	25745	5	SCREW, BHSC 4-40 STEEL, BLACK OXIDE
	36	26102	1	TOOL CONNECTOR ASM., LEVER
	37	26084	1	HANDLE COVER, MFB
	38	26083	1	HANDLE COVER



REQUIRED TOOLING
LOCITTE 243 (BLUE)
LOCITTE 222 (PURPLE)
FLAT BLADE SCREW DRIVER
.050 HEX WRENCH
1/16 HEX WRENCH
5/64 HEX WRENCH
3/32 HEX WRENCH
SNAP RING PLIERS - EXTERNAL TYPE



DOCUMENT CONTROL
 PRINTED COPIES OF THIS DOCUMENT ARE CONSIDERED TO BE UNCONTROLLED DOCUMENTS. HOLDERS ARE RESPONSIBLE FOR VERIFYING THE CURRENT REVISION LEVEL WITH PURCHASING OR ENGINEERING PRIOR TO USE OR FABRICATION. THE CONTROLLED VERSION OF THIS DOCUMENT IS ELECTRONICALLY MAINTAINED.

PROPRIETARY AND CONFIDENTIAL
 THIS DRAWING CONTAINS INFORMATION STRICTLY CONFIDENTIAL TO ACRADYNE/AIMCO. IN THE ABSENCE OF EXPRESSED WRITTEN PERMISSION, ACRADYNE/AIMCO HAS LOANED THIS COPY WITH THE MUTUAL UNDERSTANDING THAT (A) IT WILL NOT BE USED FOR ANY PURPOSE OTHER THAN FOR THAT IN WHICH IT WAS PROVIDED, (B) THE DATA CONTAINED HEREIN WILL NOT BE DISCLOSED TO OTHERS, (C) IT WILL NOT BE REPRODUCED, AND (D) IT WILL BE RETURNED TO ACRADYNE/AIMCO IMMEDIATELY UPON DEMAND.

REVISION LEVEL	REVISION RELEASE DATE	DESCRIPTION OF CHANGES MADE TO PART	ECN #	AUTHOR/ APPROVAL

UNLESS OTHERWISE SPECIFIED, DIMENSIONS ARE IN INCHES
 DIMENSIONS AND TOLERANCING PER ANSI Y14.5 SURFACE ROUGHNESS PER ANSI Y14.36

BLOCK TOLERANCING PER DECIMAL:
 .X = ±.030 .XX = ±.010 .XXX = ±.005 .XXXX = ±.0005
 ANGLE = ±0° 30'

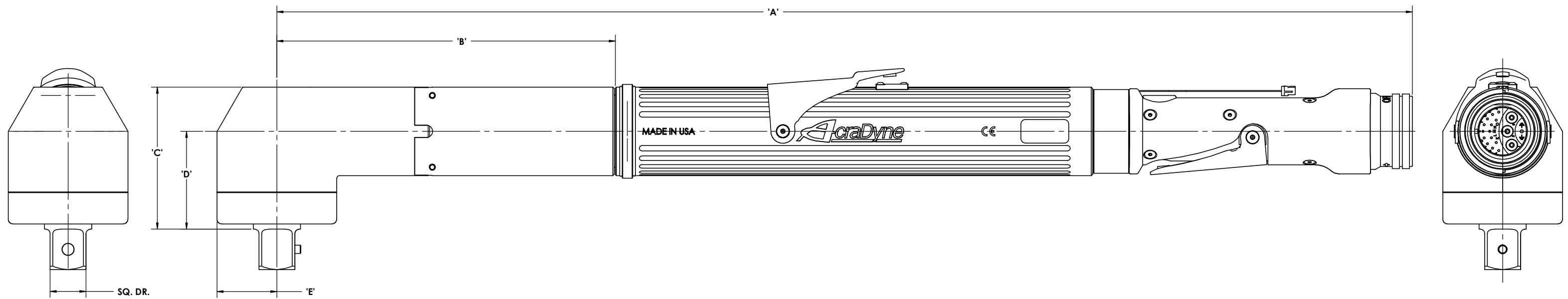
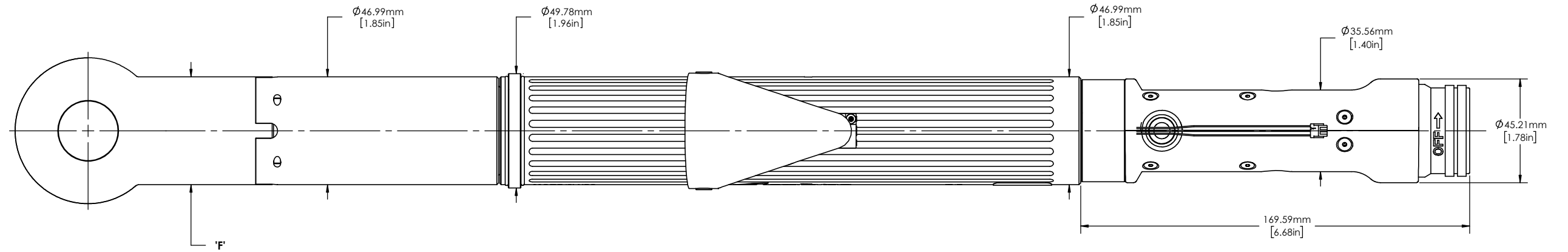
REMOVE BURRS AND SHARP EDGES: R.015 MAX MACHINE SURFACE FINISH: 125 RMS OR BETTER

DRAWINGS AND TECHNICAL DOCUMENTS CONTROLLED BY:
ACRADYNE MECHANICAL ENGINEERING

DUAL LEVER ANGLEHEAD

3000 SERIES - GEN 3C

SIZE D	PART / DRAWING NUMBER AEN33 CDL	REVISION C
SCALE 1:1	DO NOT SCALE DRAWING	SHEET 1 OF 2



MODEL NO.	'A'	'B'	'C'	'D'	'E'	'F'	SQ. DR.
AEN33120CDL	539mm, [21.22in]	116mm, [4.56in]	71mm, [2.78in]	53mm, [2.08in]	27mm, [1.05in]	38mm, [1.50in]	13mm, [.50in]
AEN33200CDL	595mm, [23.43in]	172mm, [6.77in]	65mm, [2.54in]	47mm, [1.84in]	27mm, [1.05in]	38mm, [1.50in]	19mm, [.75in]
AEN33210CDL	602mm, [23.72in]	180mm, [7.07in]	75mm, [2.97in]	52mm, [2.04in]	31.8mm, [1.25in]	47mm, [1.85in]	19mm, [.75in]
AEN33300CDL	602mm, [23.72in]	180mm, [7.07in]	75mm, [2.97in]	52mm, [2.04in]	31.8mm, [1.25in]	47mm, [1.85in]	19mm, [.75in]
AEN33375CDL	602mm, [23.72in]	180mm, [7.07in]	75mm, [2.97in]	52mm, [2.04in]	31.8mm, [1.25in]	47mm, [1.85in]	19mm, [.75in]



DOCUMENT CONTROL
 PRINTED COPIES OF THIS DOCUMENT ARE CONSIDERED TO BE UNCONTROLLED DOCUMENTS. HOLDERS ARE RESPONSIBLE FOR VERIFYING THE CURRENT REVISION LEVEL WITH PURCHASING OR ENGINEERING PRIOR TO USE OR FABRICATION. THE CONTROLLED VERSION OF THIS DOCUMENT IS ELECTRONICALLY MAINTAINED.

PROPRIETARY AND CONFIDENTIAL
 THIS DRAWING CONTAINS INFORMATION STRICTLY CONFIDENTIAL TO ACRADYNE/AIMCO. IN THE ABSENCE OF EXPRESSED WRITTEN PERMISSION, ACRADYNE/AIMCO HAS LOANED THIS COPY WITH THE MUTUAL UNDERSTANDING THAT (A) IT WILL NOT BE USED FOR ANY PURPOSE OTHER THAN FOR THAT IN WHICH IT WAS PROVIDED, (B) THE DATA CONTAINED HEREIN WILL NOT BE DISCLOSED TO OTHERS, (C) IT WILL NOT BE REPRODUCED, AND (D) IT WILL BE RETURNED TO ACRADYNE/AIMCO IMMEDIATELY UPON DEMAND.

REVISION LEVEL	REVISION RELEASE DATE	DESCRIPTION OF CHANGES MADE TO PART	ECN #	AUTHOR/ APPROVAL

UNLESS OTHERWISE SPECIFIED, DIMENSIONS ARE IN INCHES
 DIMENSIONS AND TOLERANCING PER ANSI Y14.5
 SURFACE ROUGHNESS PER ANSI Y14.36

BLOCK TOLERANCING PER DECIMAL:
 .X = ±.030 .XX = ±.010 .XXX = ±.005 .XXXX = ±.0005
 ANGLE = ±0° 30'

REMOVE BURRS AND SHARP EDGES: R.015 MAX
 MACHINE SURFACE FINISH: 125 RMS OR BETTER

DRAWINGS AND TECHNICAL DOCUMENTS CONTROLLED BY:
ACRADYNE MECHANICAL ENGINEERING

DUAL LEVER ANGLEHEAD TOOL OUTLINE
 3000 SERIES - GEN 3C

SIZE	PART / DRAWING NUMBER	REVISION
D	AEN33 CDL	C

SCALE: 1:1 DO NOT SCALE DRAWING SHEET 2 OF 2